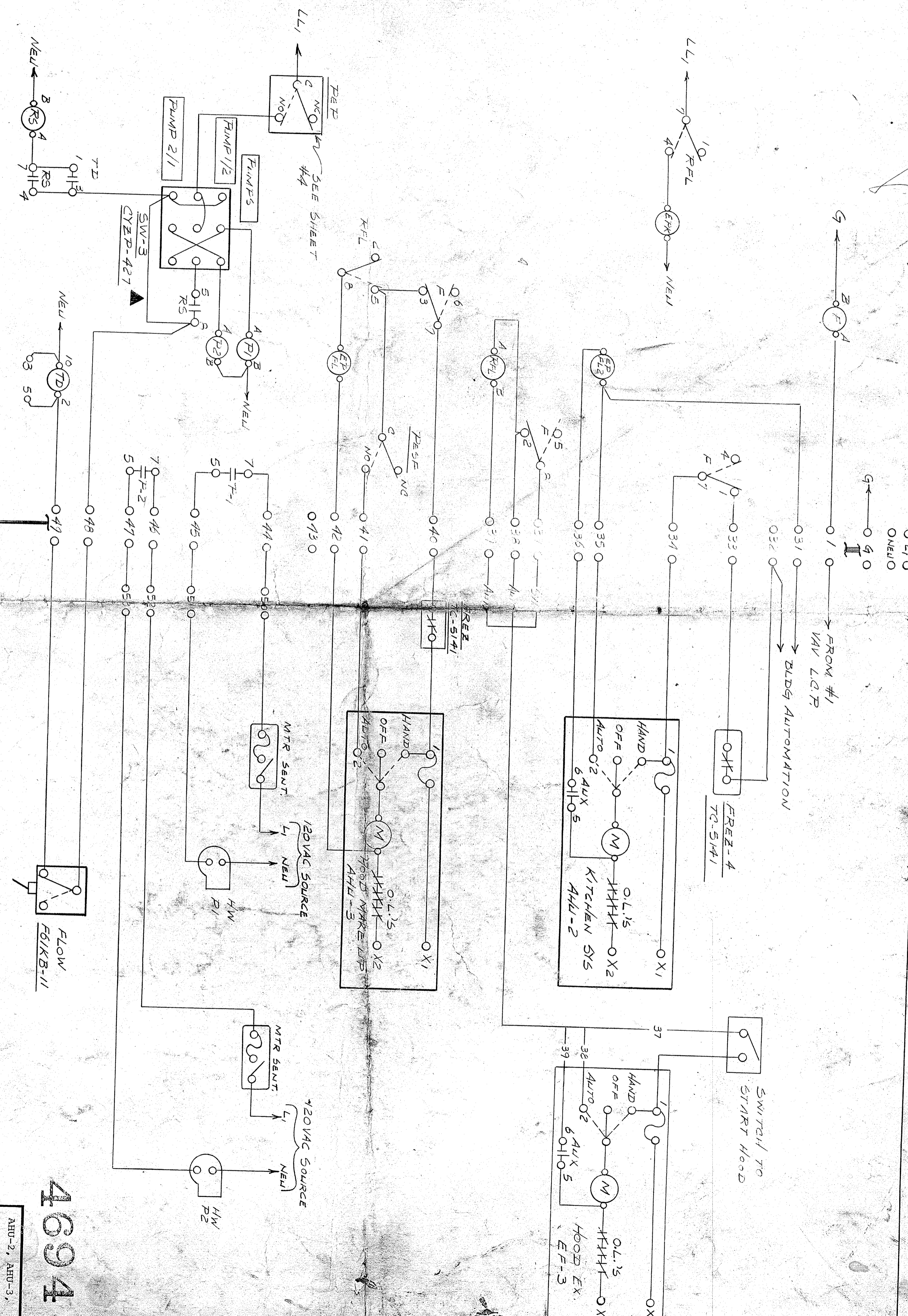


PARTIAL L.G.P. - 4
AE-631(24"W X 32"H X 7"D)



MONUP ON PANEL PAGE

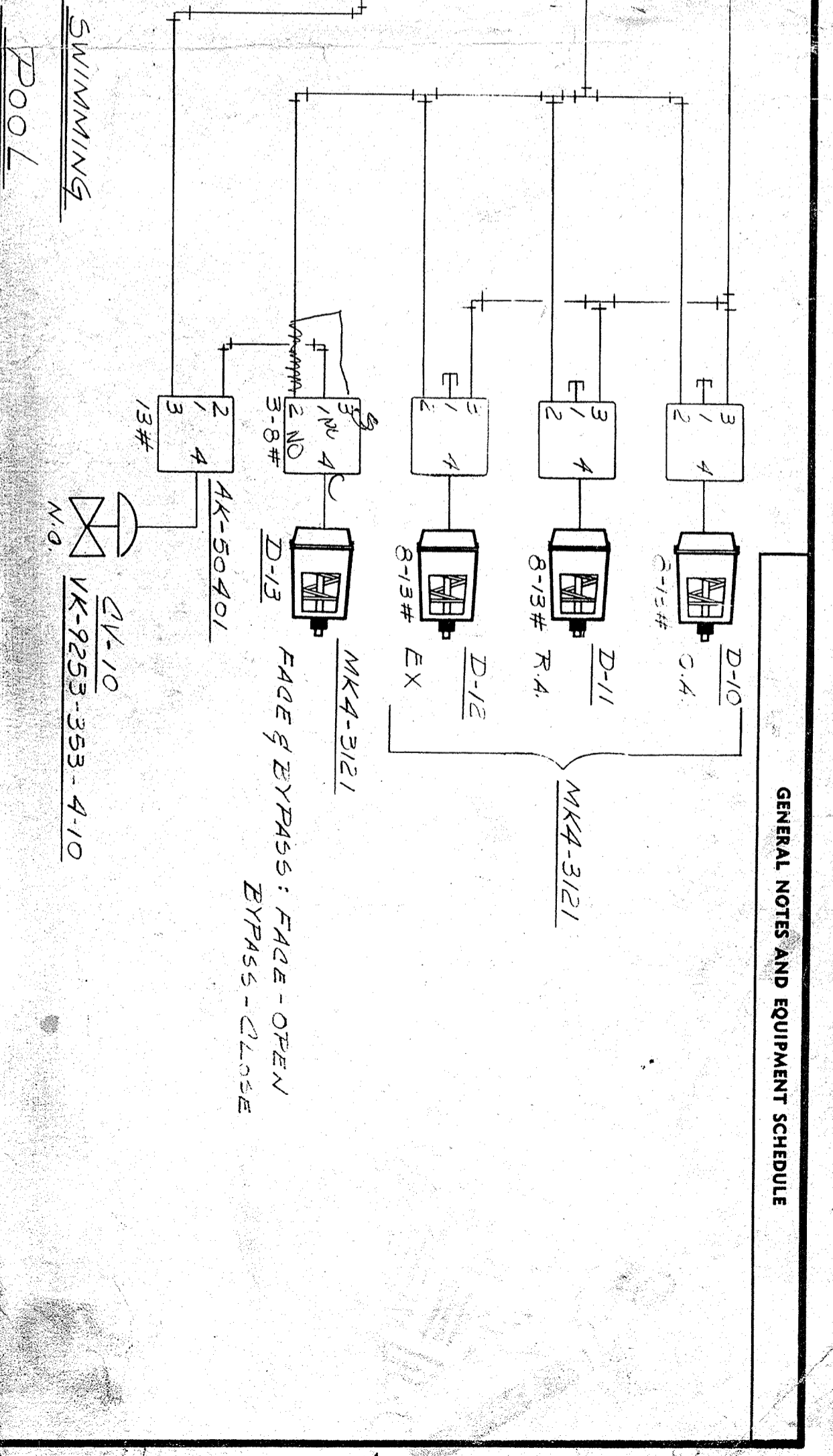
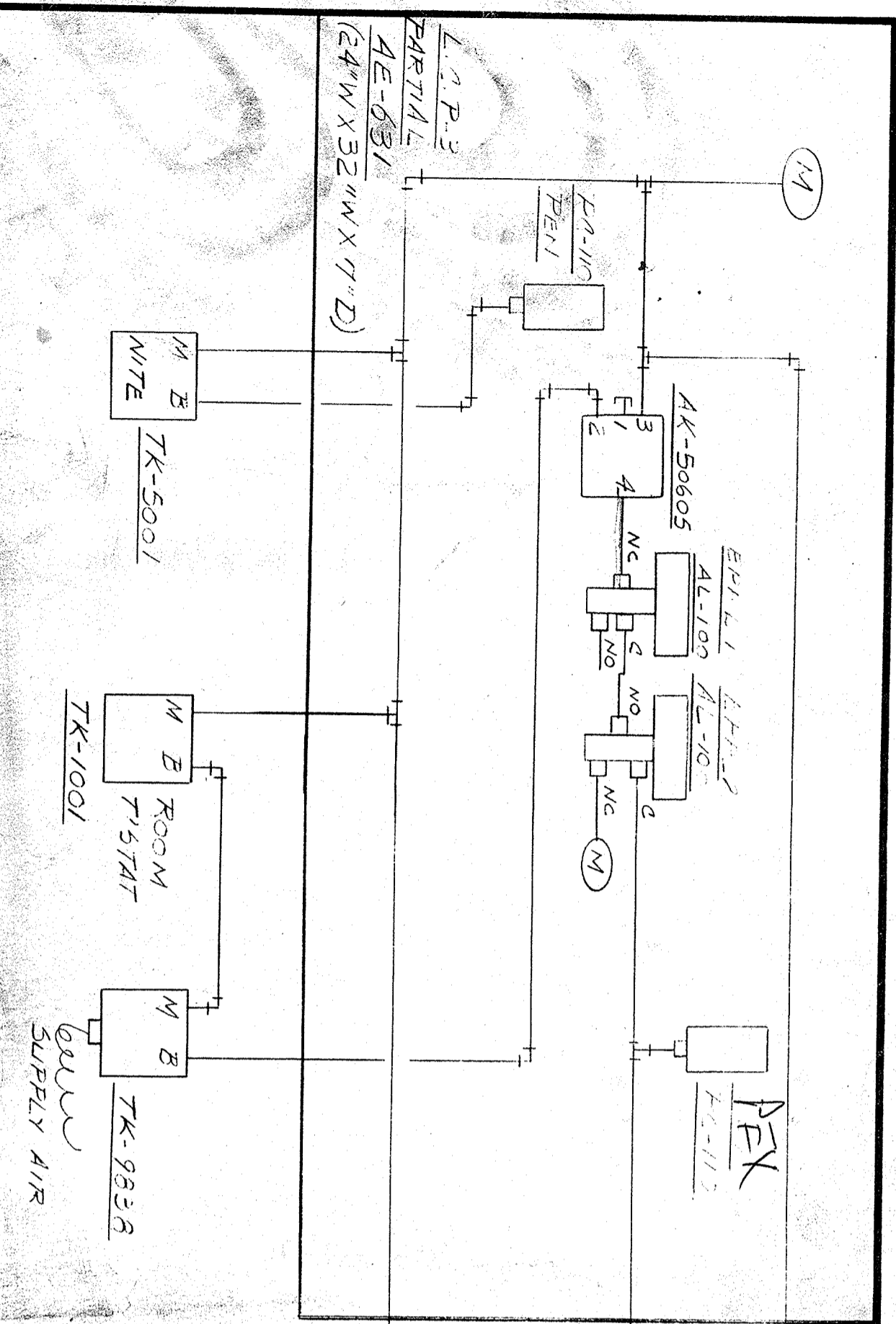
GENERAL NOTES AND EQUIPMENT SCHEDULE

DATE	CHANGES	JOB NAME	LOCATION
02-13	REVISE	CAPITOL PLAZA HOTEL	FRANKFORT, KY.
05-04	ADD C/W	ARCHITECT: N/A	
05-04	ADD C/W	ENGINEER: CARTER & ROSENER & ASSOCIATES	
05-04	ADD C/W	CONTRACTOR: STEWART MECHANICAL	

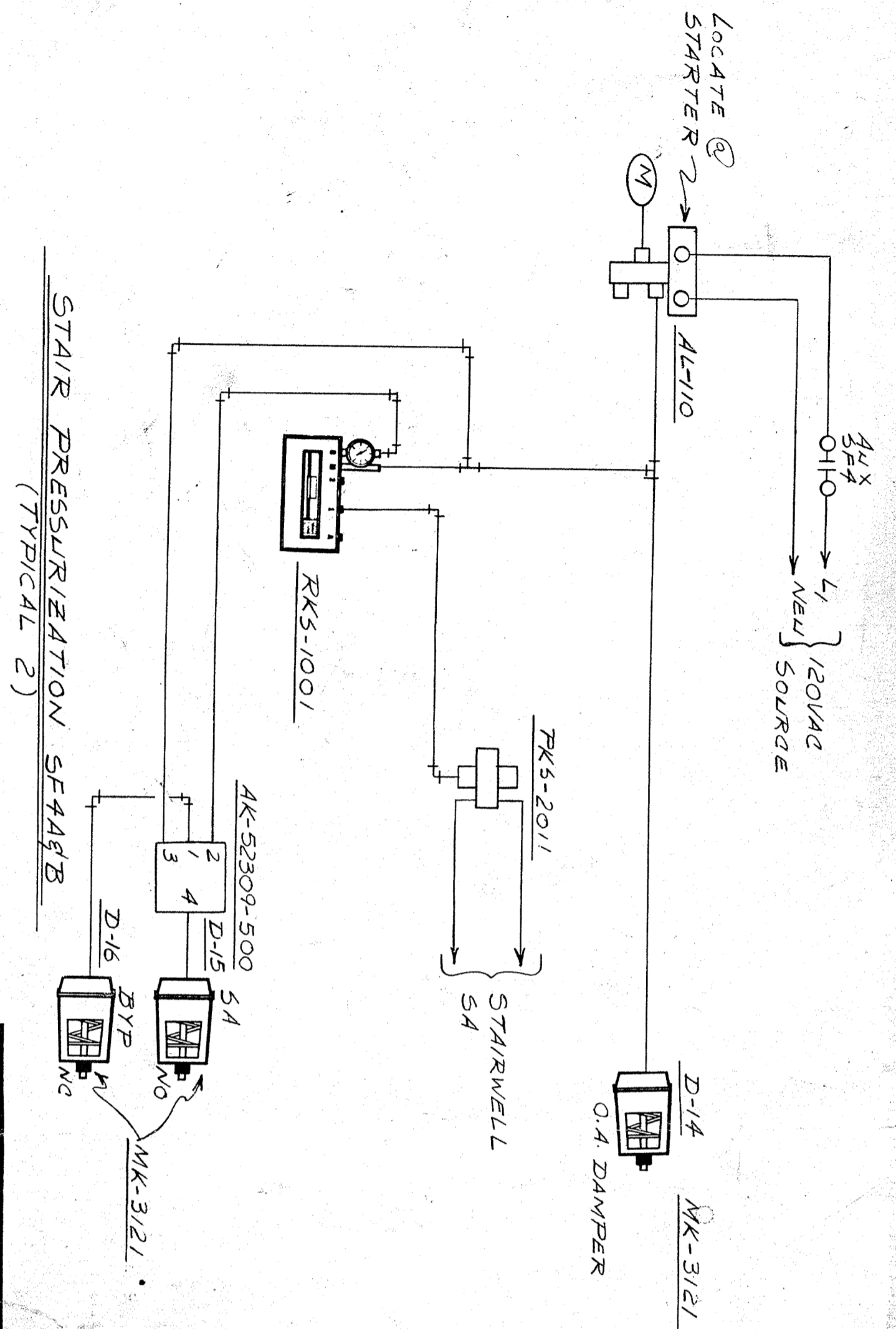
colman
Louisville Branch
1651 Waterson Trail
Jeffersonville, Kentucky 40299
502-267-5003

DRAWN BY	J.G.	SWIMMING POOL & SPAIR PRESSURIZATION
CHECKED	L.G.	TRANTON SPA
DATE	10-19-83	NORRIS & SOUTH
	83-74943-7	

4694



GENERAL NOTES AND EQUIPMENT SCHEDULE



STAIR PRESSURIZATION SEFAQB
(TYPICAL 2)

4694

DATE	CHANGES	JOB NAME	LOCATION
03-83	REVISE	CAPITOL PLAZA HOTEL	FRANKFORT, KY.
05-83	ADD C/W	ARCHITECT: N/A	
05-83	ADD C/W	ENGINEER: CARTER & ROSENER & ASSOCIATES	
05-83	ADD C/W	CONTRACTOR: STEWART MECHANICAL	

colman
Louisville Branch
1651 Waterson Trail
Jeffersonville, Kentucky 40299
502-267-5003

DRAWN BY	J.G.	SWIMMING POOL & SPAIR PRESSURIZATION
CHECKED	L.G.	TRANTON SPA
DATE	10-23-83	NORRIS & SOUTH
	83-74943-6	

SHEET 6 OF 16