

LEGEND

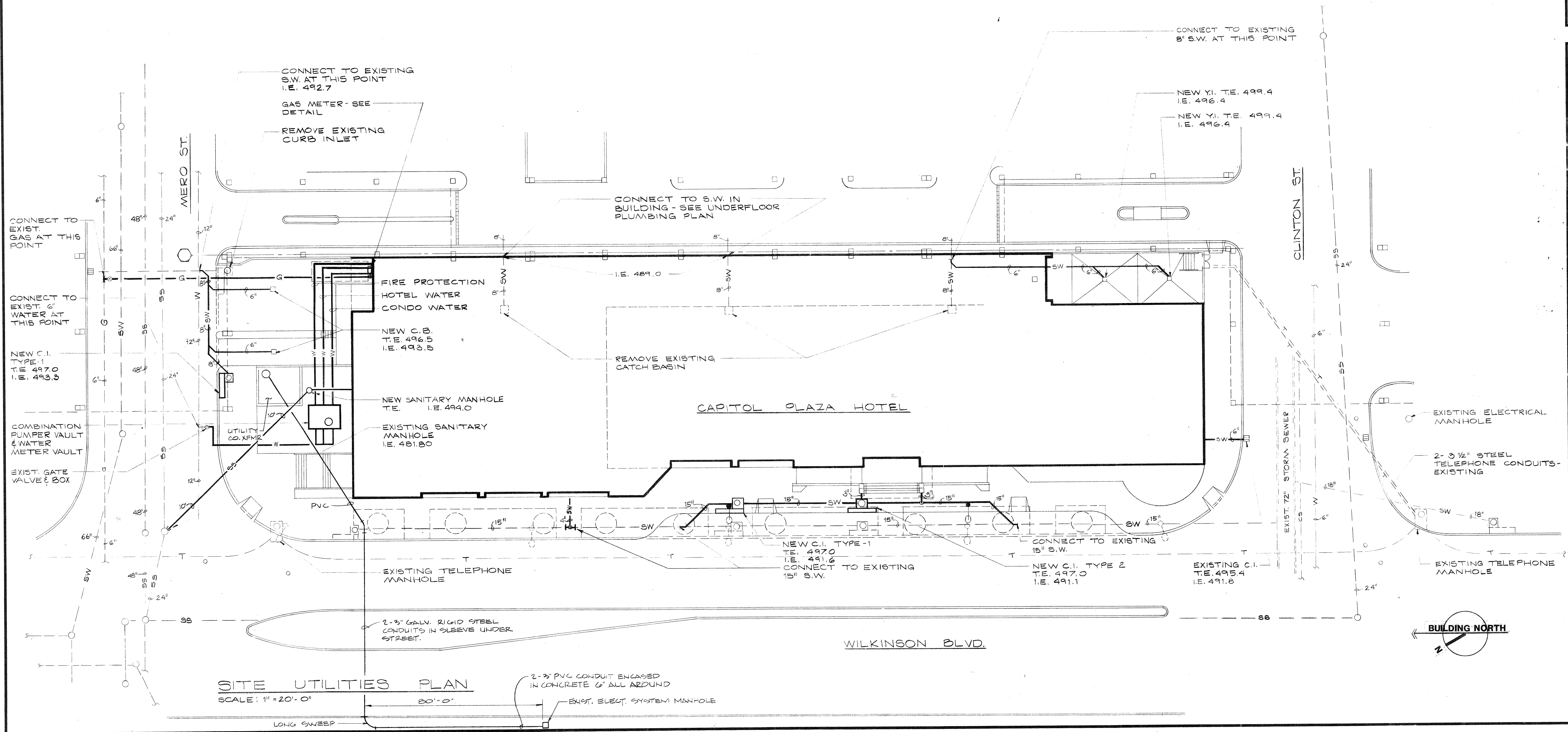
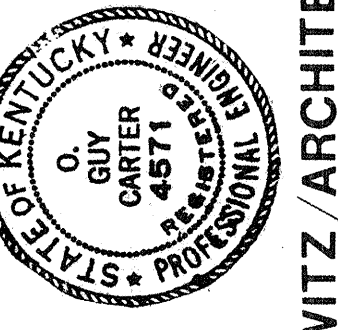
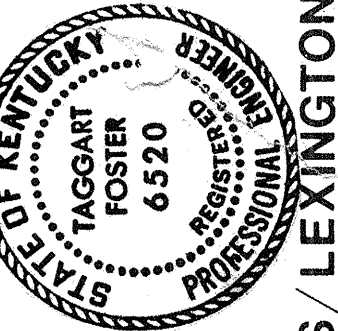
CS	EXISTING COMBINED SEWER
W	EXISTING WATER
W	NEW WATER
G	EXISTING GAS
G	NEW GAS
SS	EXISTING SANITARY SEWER
SS	NEW SANITARY SEWER
SW	EXISTING STORM WATER
SW	NEW STORM WATER
T.E.	TOP ELEVATION
I.E.	INVERT ELEVATION
C.I.	CURB INLET
Y.I.	YARD INLET
C.B.	CATCH BASIN
⊗	GATE VALVE & BOX
M.H.	MANHOLE

Consulting Engineers
3257 Lochness Drive
Lexington, Kentucky

CARTER - FOSTER INC.

CAPITOL PLAZA HOTEL
FRANKFORT / KENTUCKY

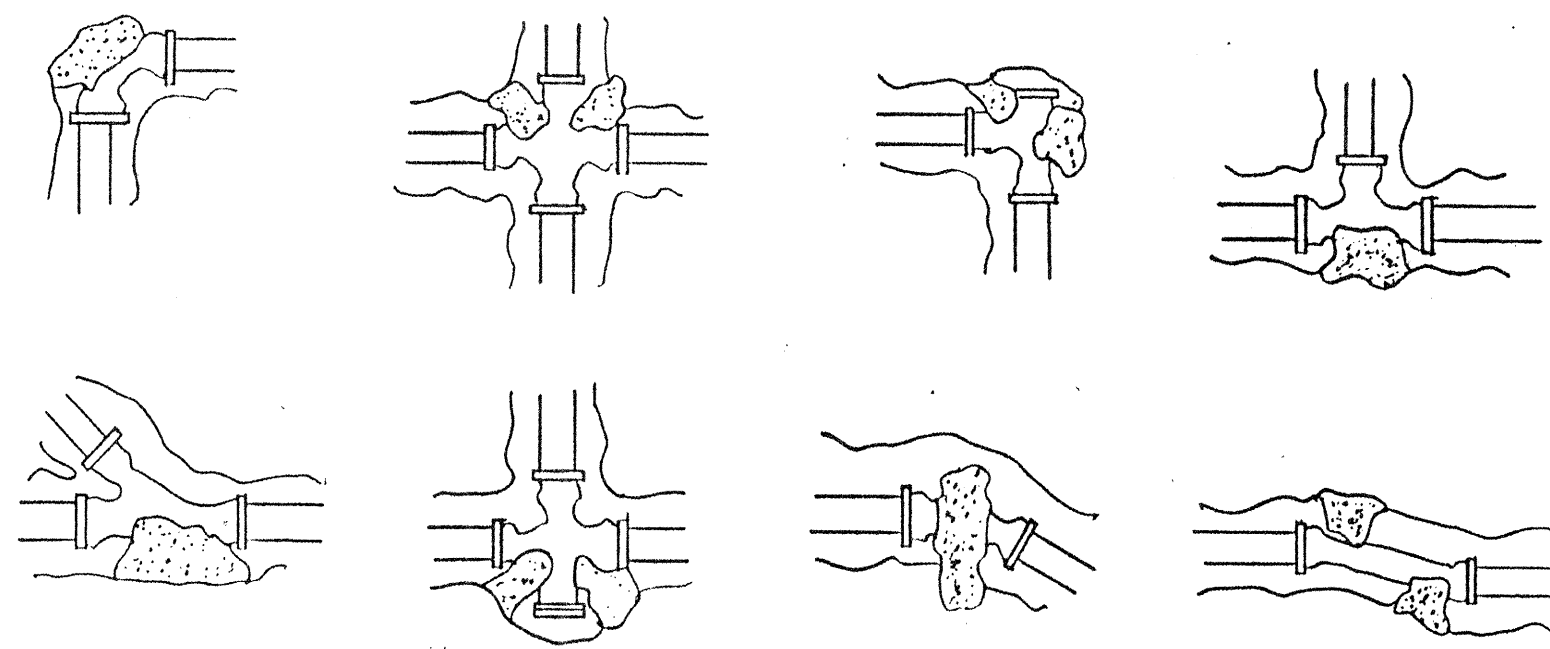
JOHNSON / ROMANOWITZ / ARCHITECTS / LEXINGTON / KENTUCKY



SITE UTILITIES PLAN

SCALE: 1" = 20'-0"

DRAWN S.H.	PROJECT
CHECKED B.H.P. K.M.	DATE 5-10-83
UTILITIES	
SITE UTILITIES PLAN	
DRAWING U-1	



THRUST/ POUND OF PRESSURE

PIPE SIZE	DEAD END OF TEE	1/4 BEND	1/2 BEND	3/4 BEND
4" & SMALLER	20	40	27	20
6	39	60	34	24
8	68	100	56	31
10	110	160	89	48

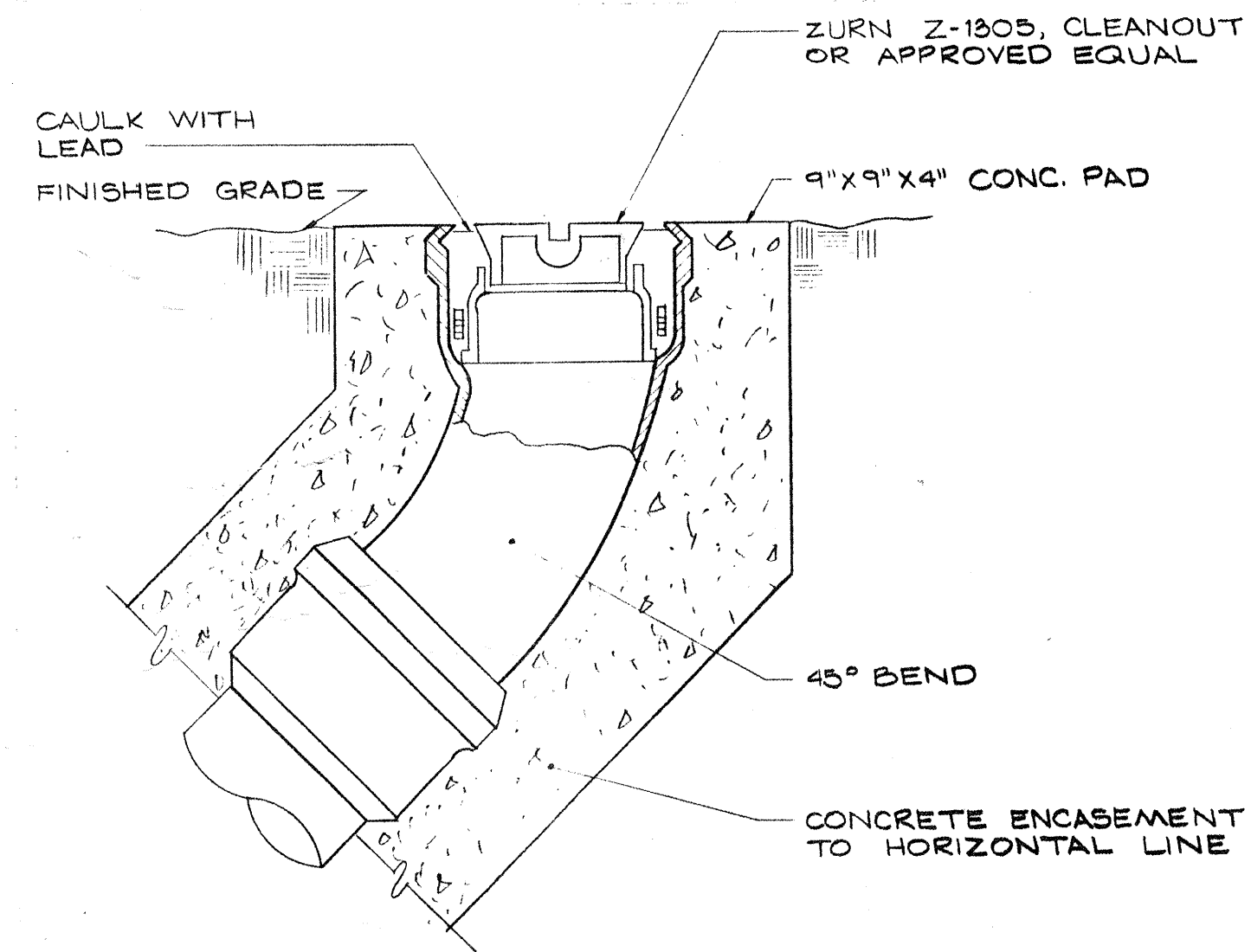
SOIL BEARING VALUES

TYPE SOIL	PSF
CEMENTED GRAVEL	4000
COMPACTED SAND	3000
MEDIUM CLAY	2000
SOFT CLAY	1000

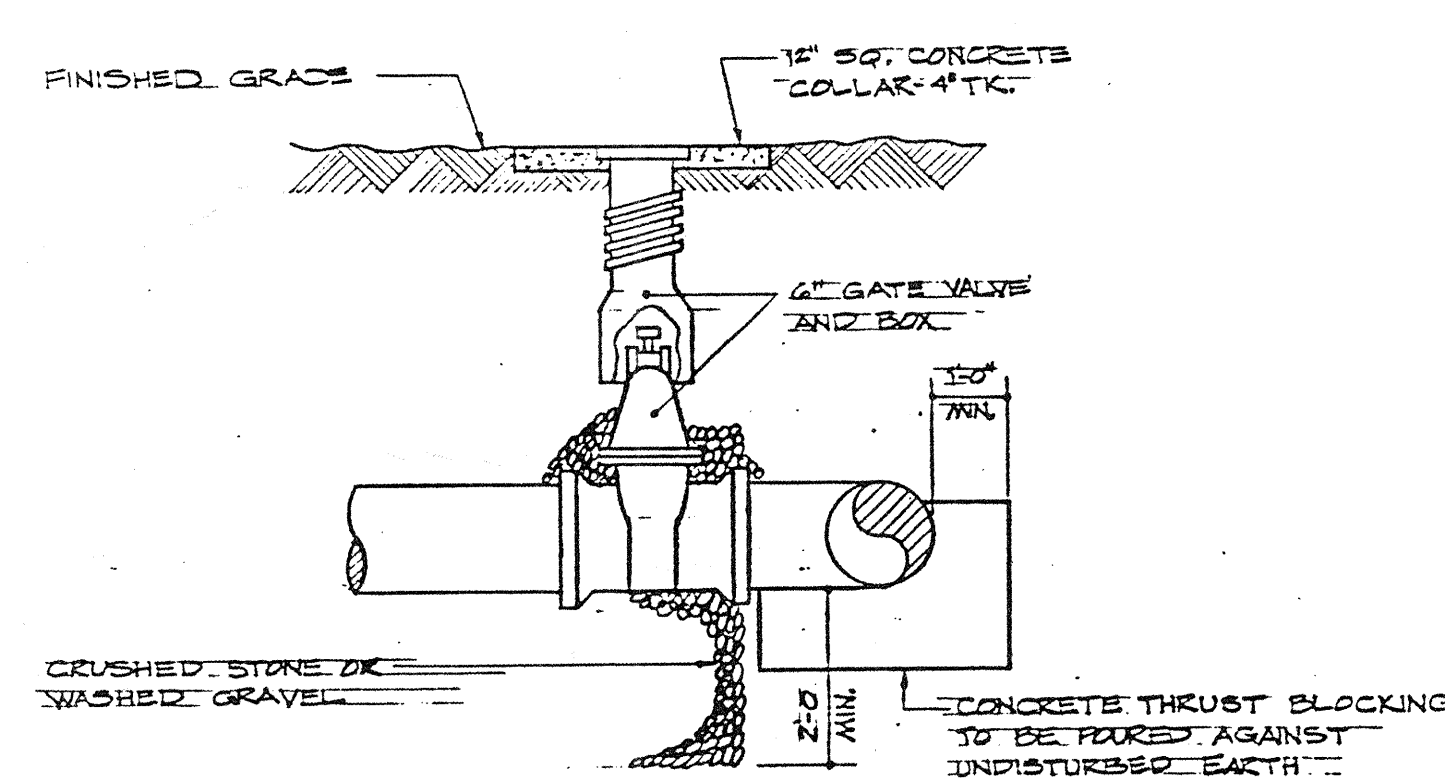
AREA OF BLOCKING = THRUST PER POUND X 90
SOIL BEARING VALUE

NOTE:
THRUST BLOCKING IS REQUIRED AT CHANGES IN
DIRECTION IN UNDERGROUND WATER PIPING

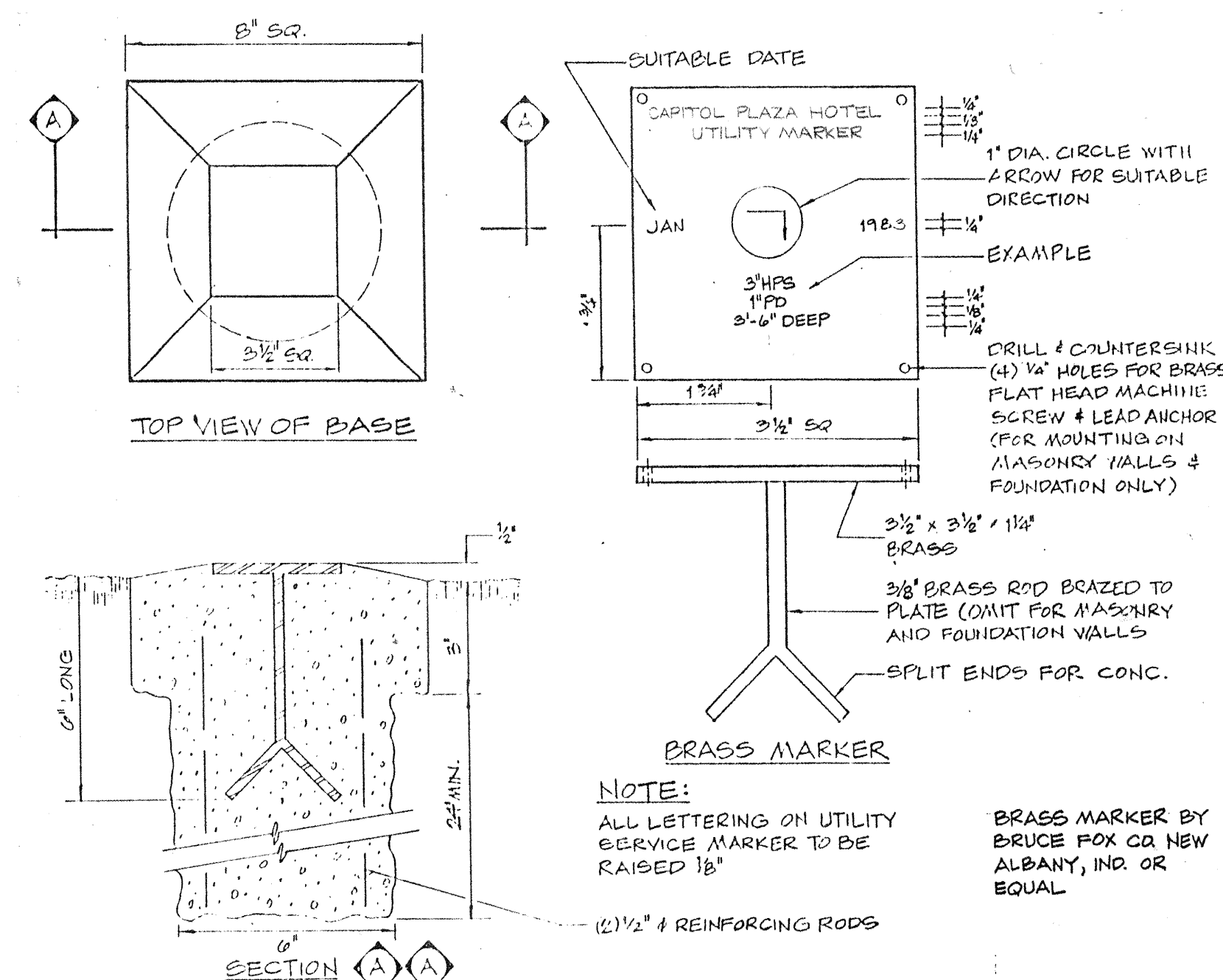
WATER MAIN THRUST BLOCKING
NO SCALE



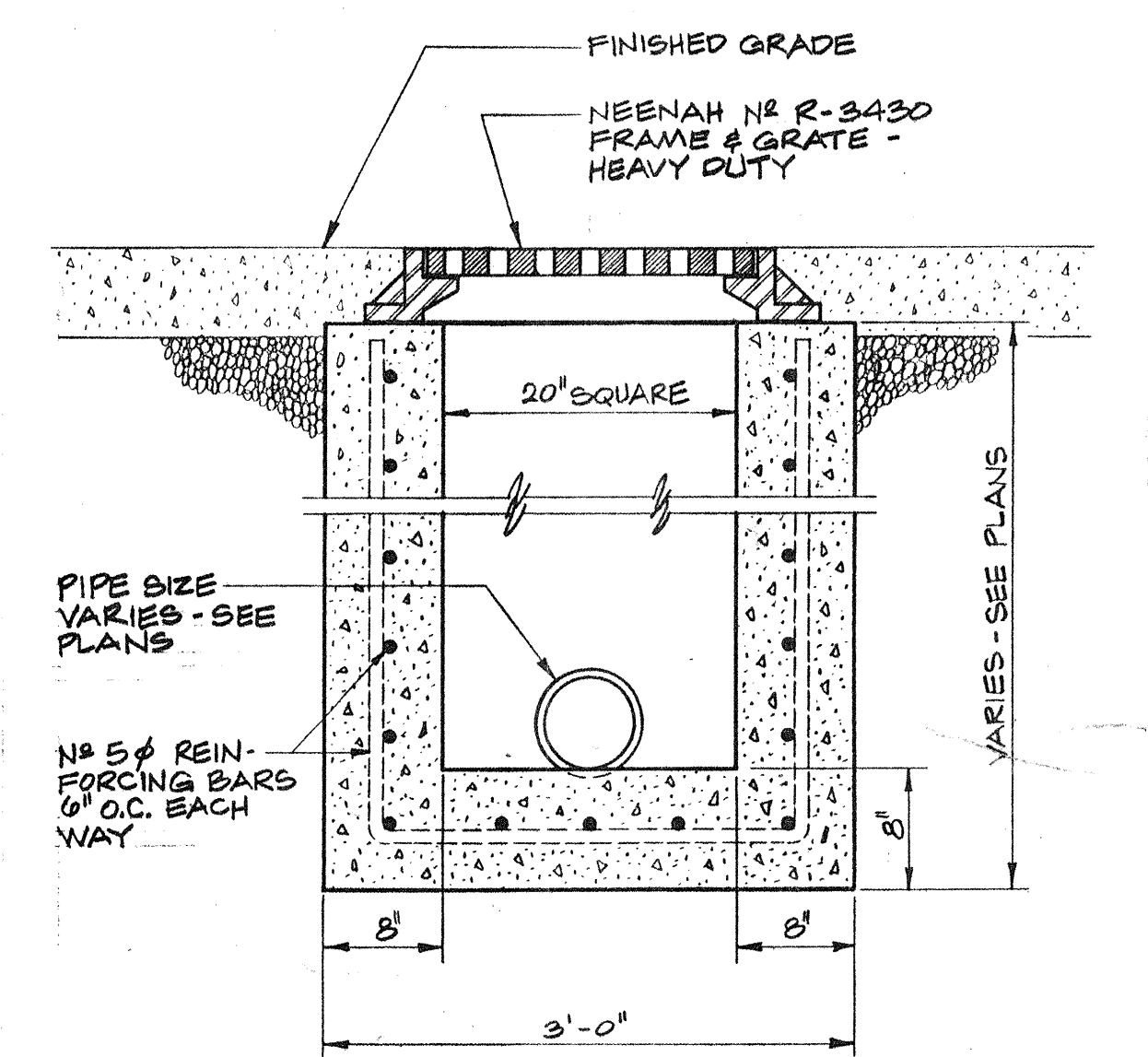
YARD CLEANOUT DETAIL
NO SCALE



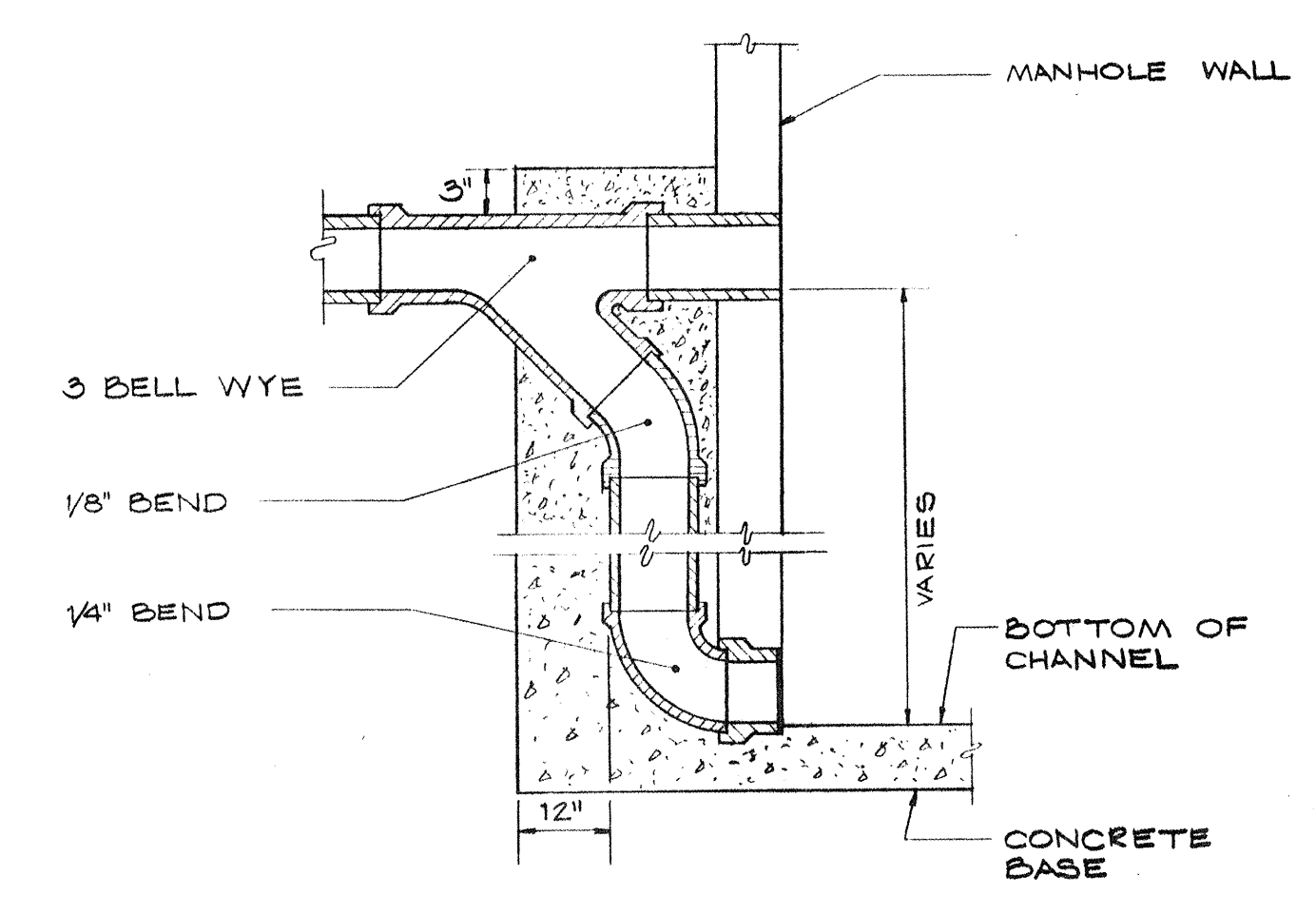
GATE VALVE AND VALVE BOX
NO SCALE



UTILITY SERVICE MARKER DETAIL
NO SCALE

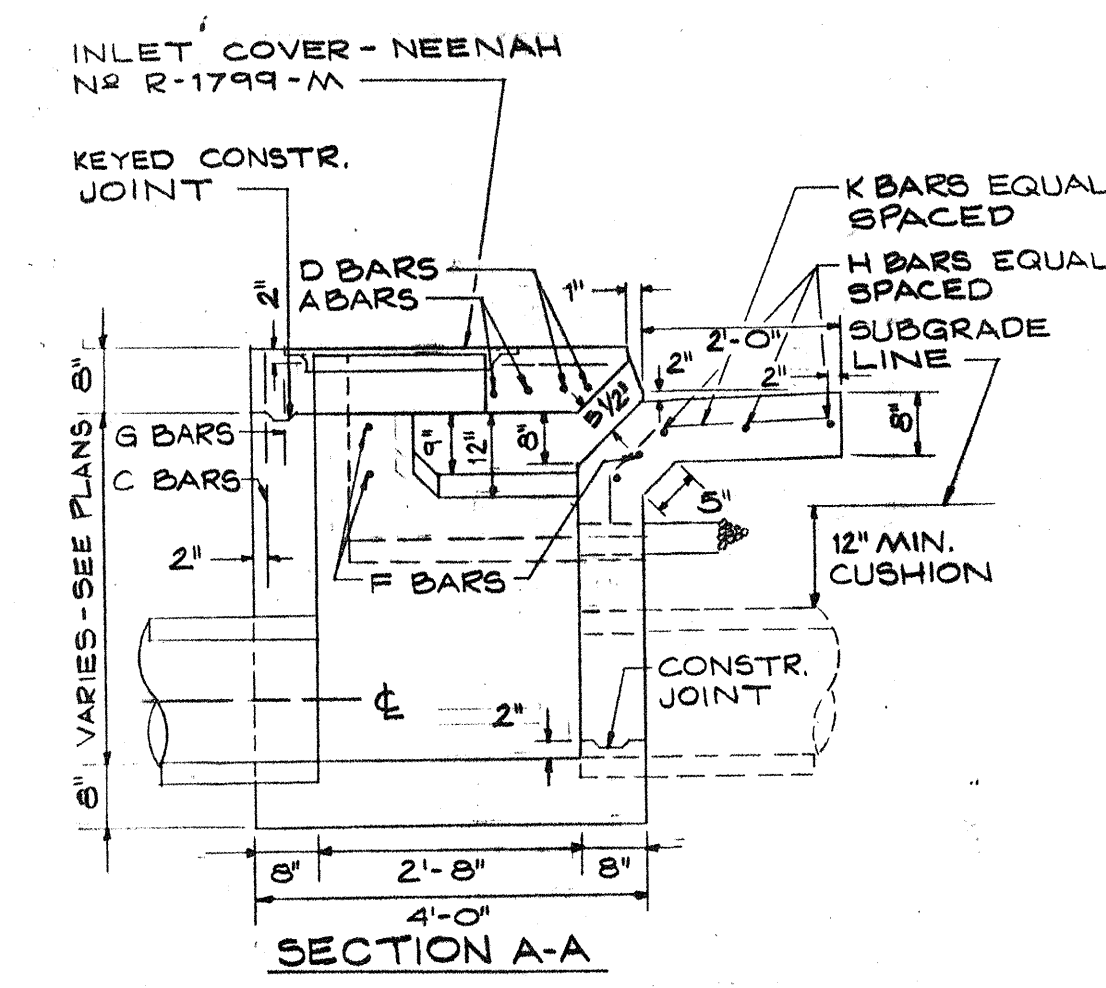
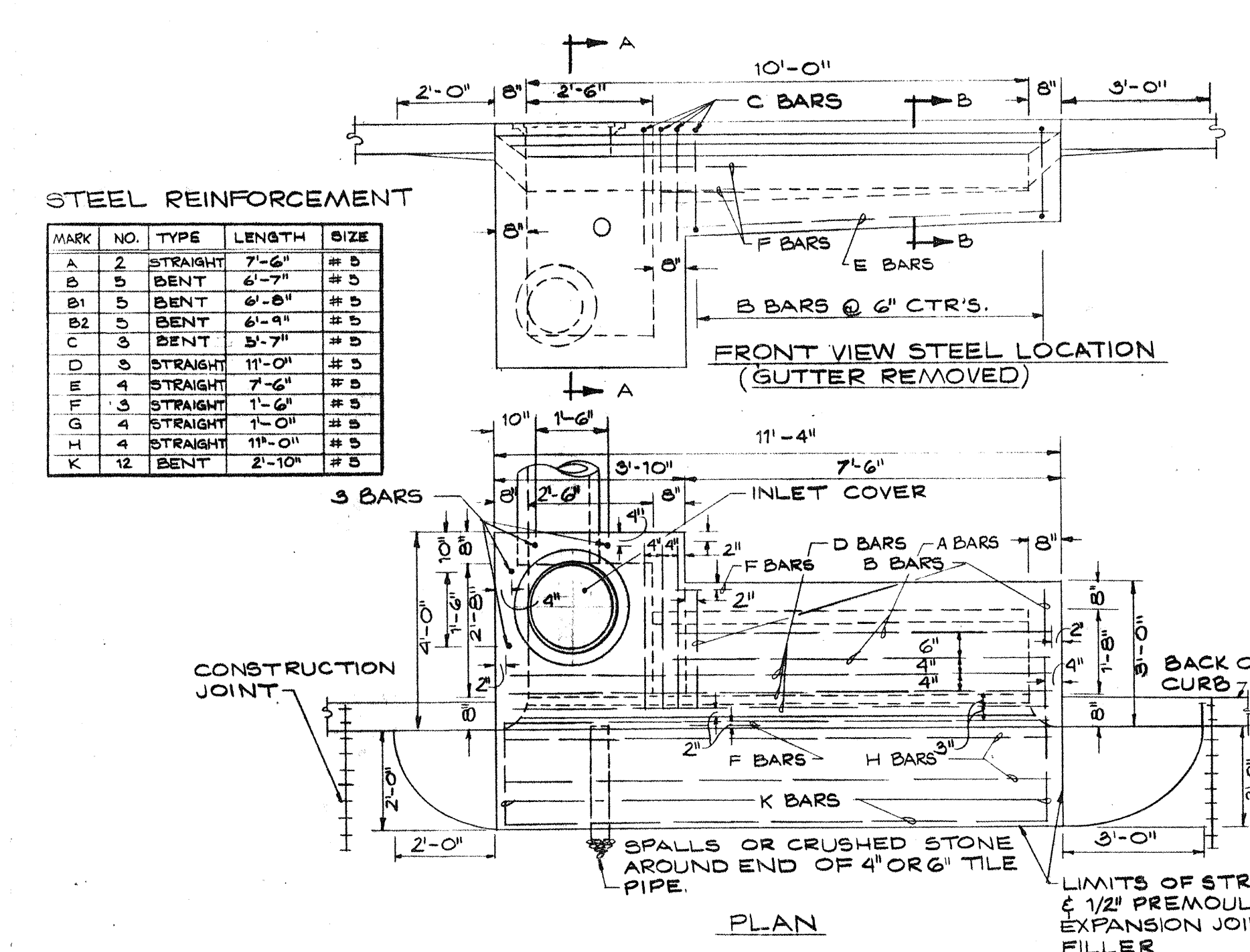


DETAIL - CATCH BASIN
NO SCALE

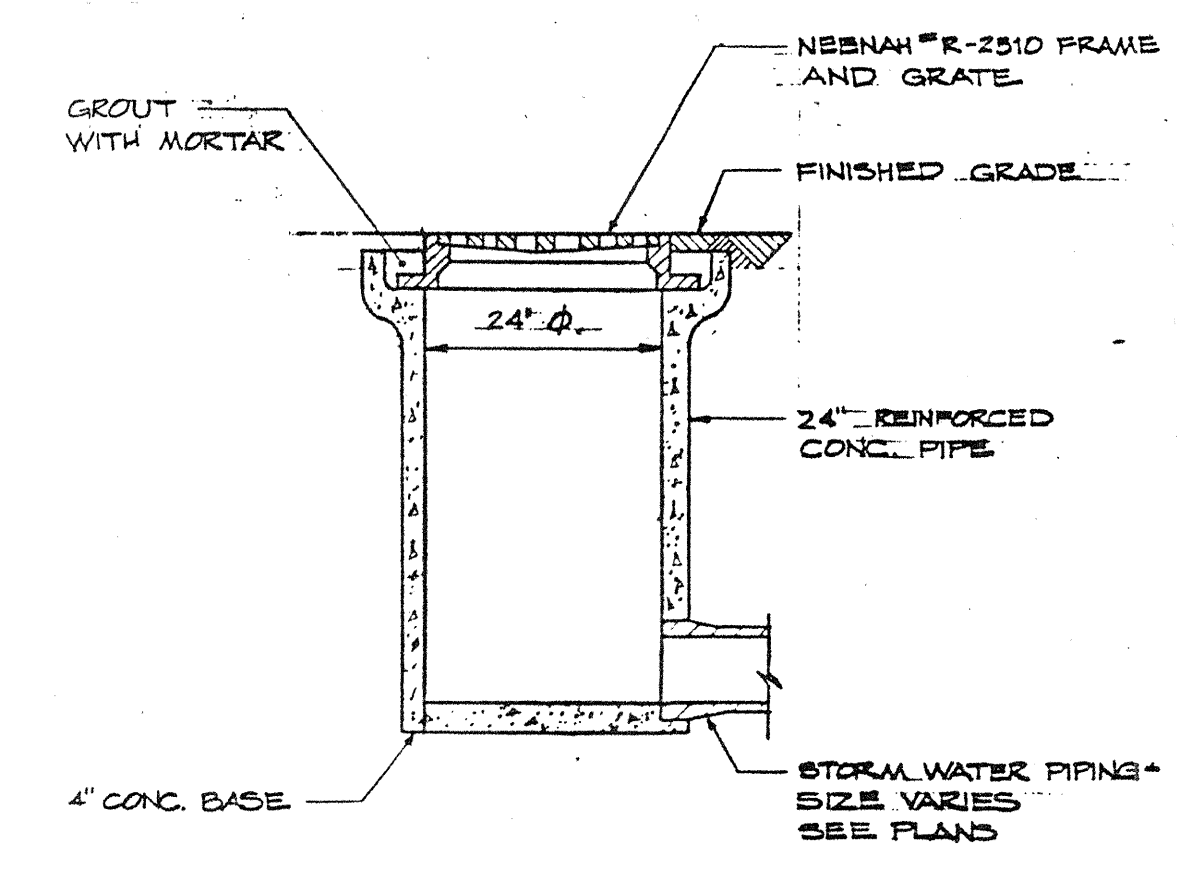


SECTION THRU DROP MANHOLE
NO SCALE

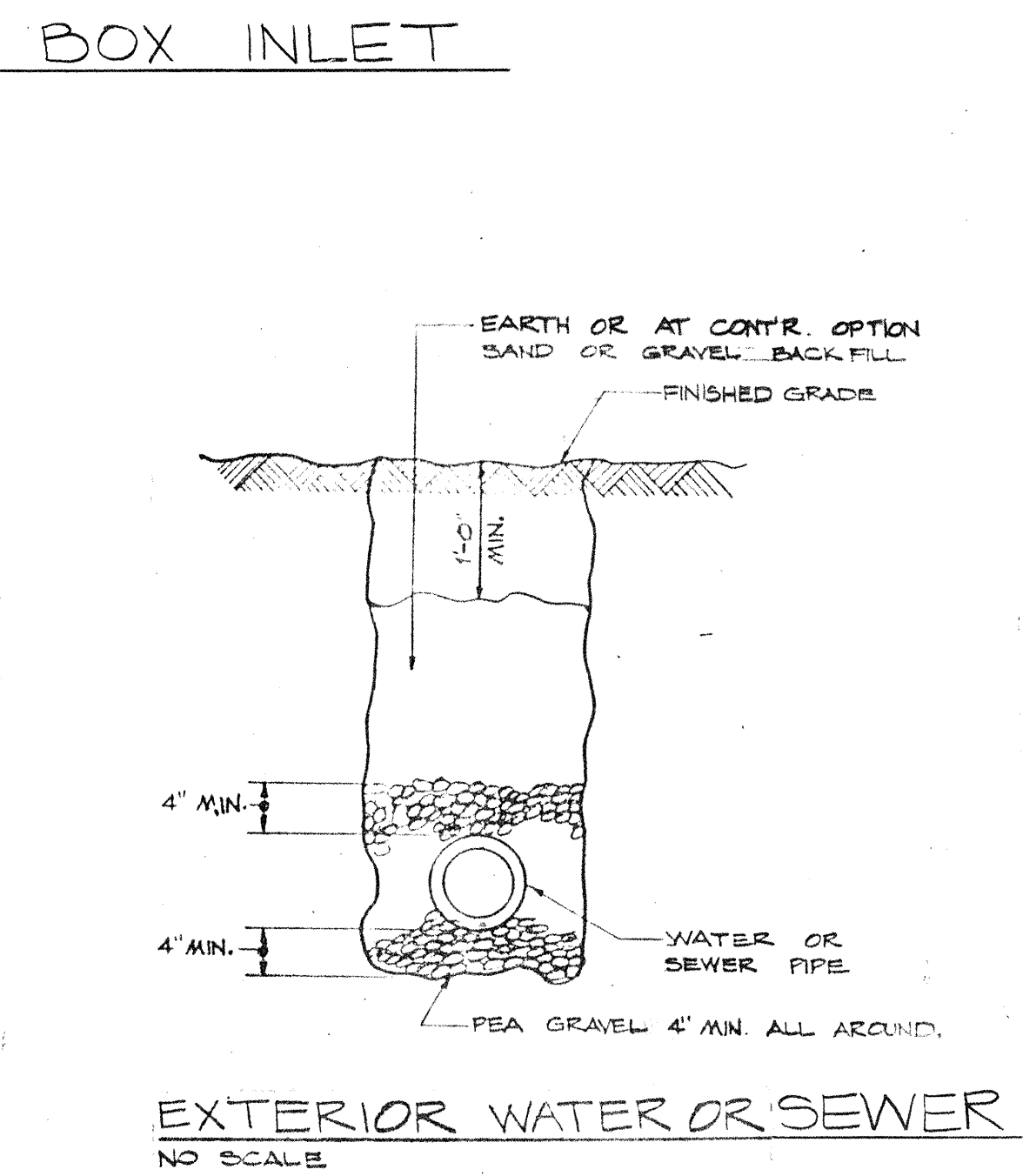
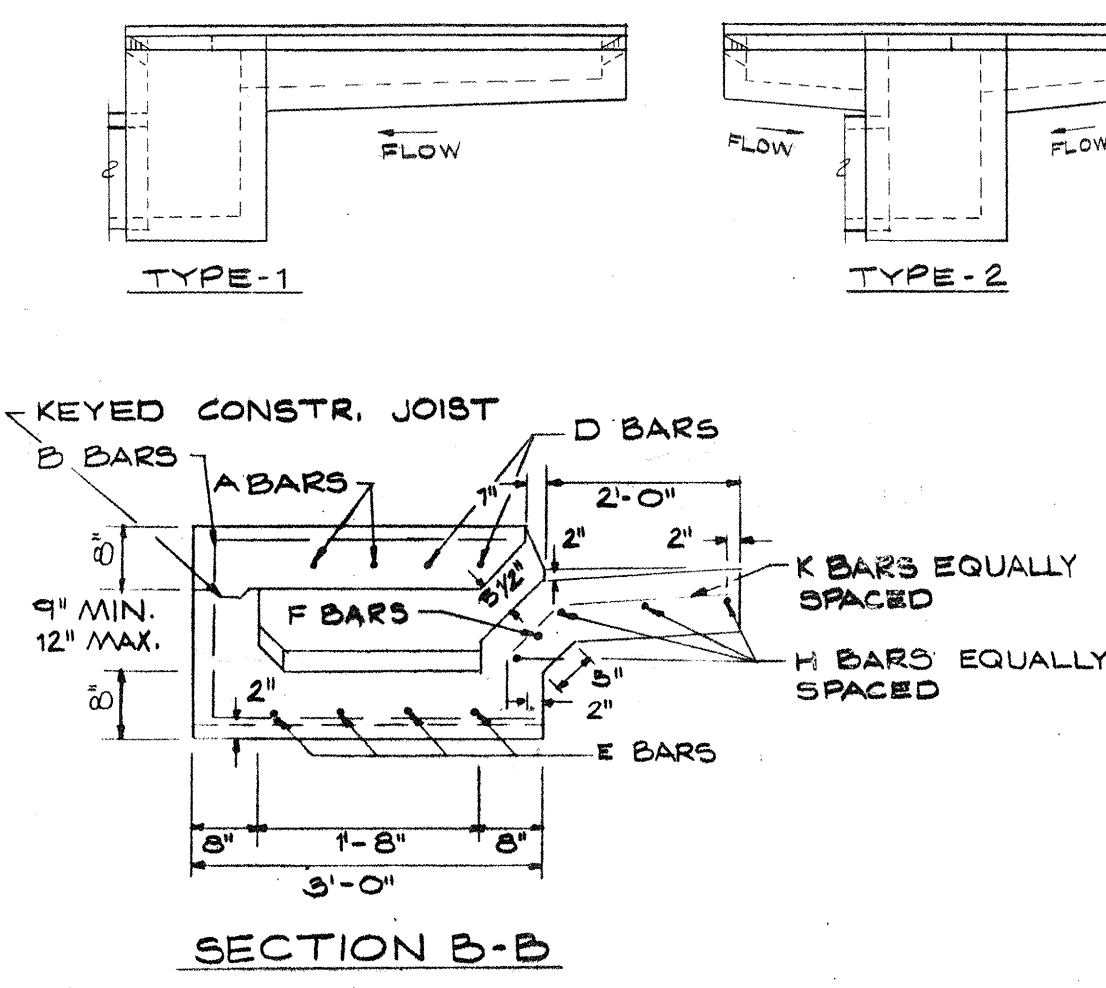
NOTE:
TOP ELEVATIONS SHOWN ON PLANS FOR TYPE 2 INLETS ARE TO THE TOP
OF THE INLET COVER AND ARE FOR ESTIMATING PURPOSES ONLY. REFER
TO ARCHITECTURAL PLANS FOR EXACT CURB AND GUTTER ELEVATIONS.



DETAIL - CURB & GUTTER BOX INLET
NO SCALE



DETAIL OF YARD INLET
NO SCALE



EXTERIOR WATER OR SEWER
NO SCALE

Consulting Engineers
3257 Lochness Drive
Lexington, Kentucky

CARTER - FOSTER INC.

CAPITOL PLAZA HOTEL
FRANKFORT / KENTUCKY

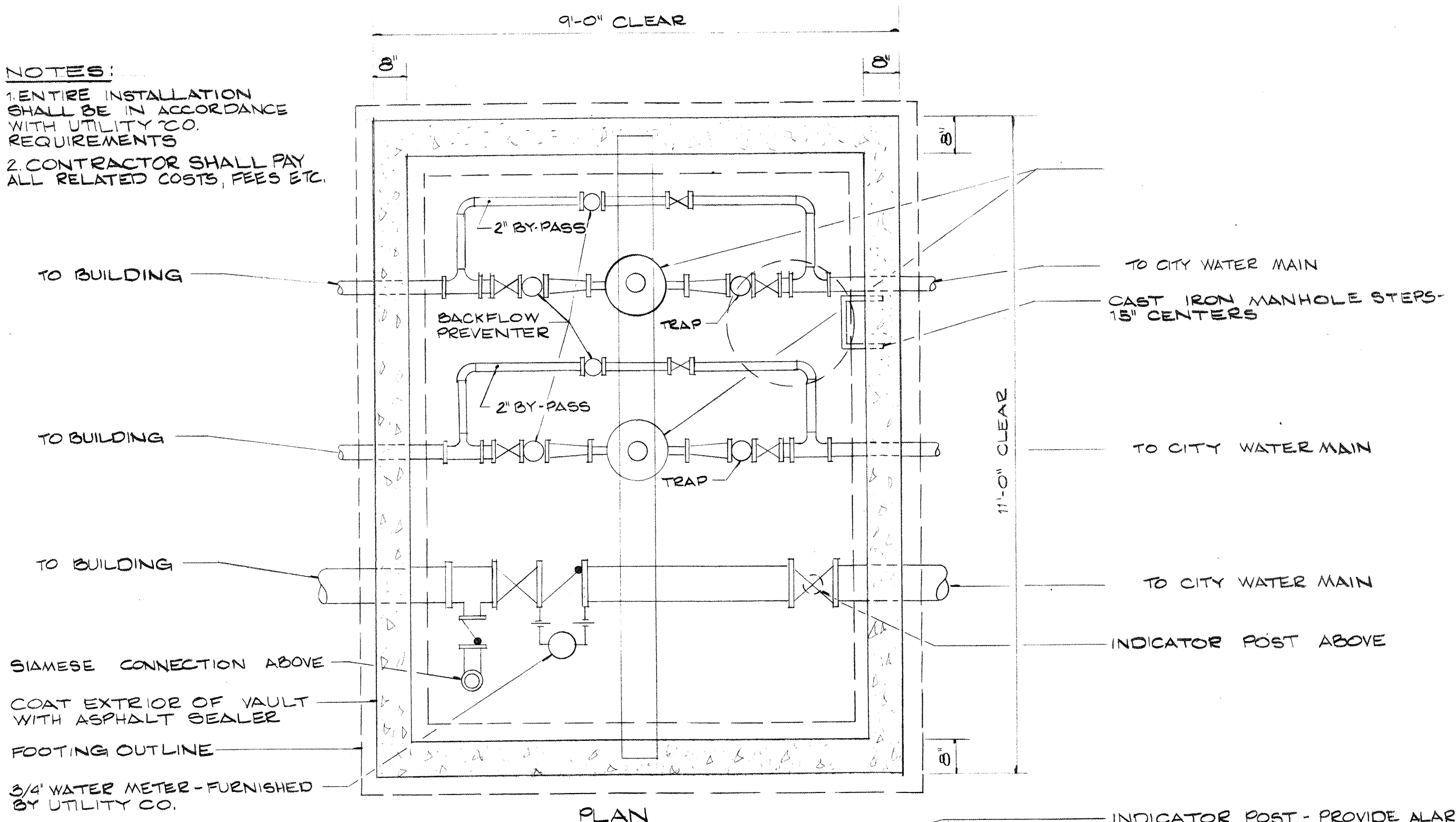
STATE OF KENTUCKY REGISTERED PROFESSIONAL ARCHITECT
CARTER FOSTER
6520

STATE OF KENTUCKY REGISTERED PROFESSIONAL ARCHITECT
GUY CARTER
4871

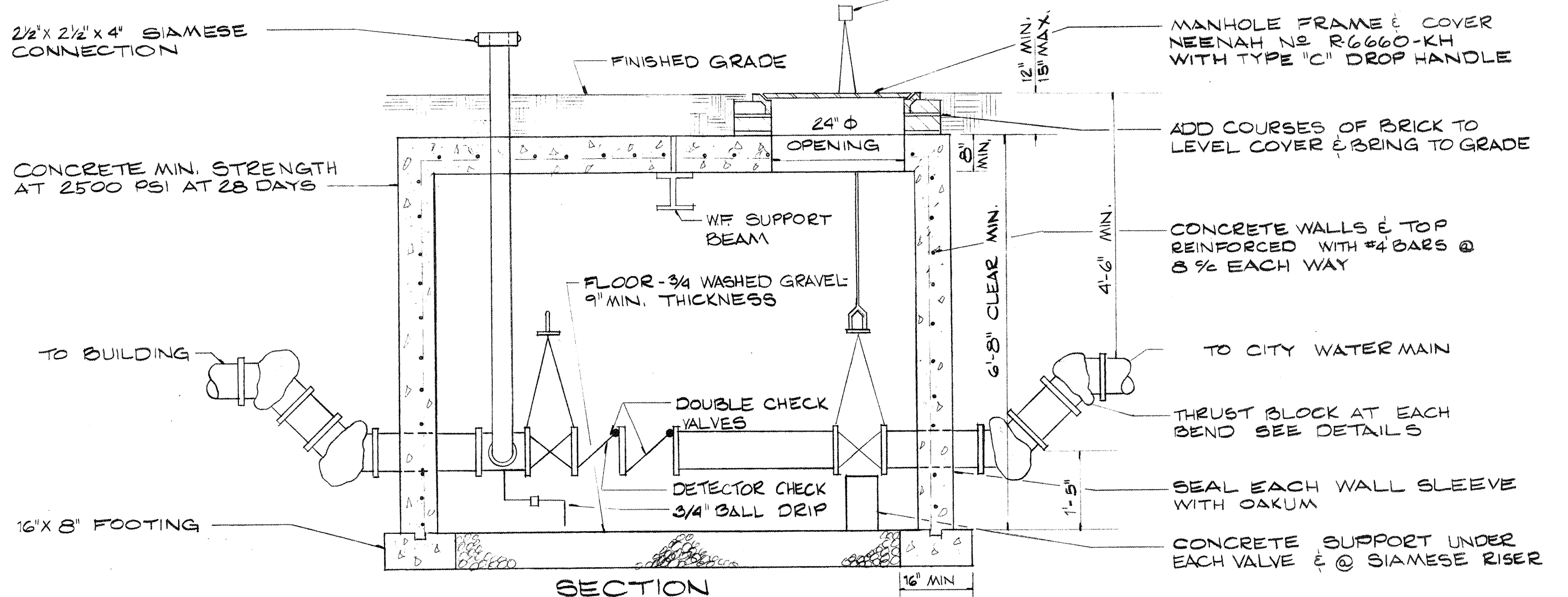
JOHNSON / ROMANOWITZ ARCHITECTS / LEXINGTON / KENTUCKY
301 EAST VINE STREET, SUITE A
LEXINGTON, KY 40502
TELEPHONE (606) 252-6781

DRAWN BH	PROJECT
CHECKED BH	DATE 5-10-83
UTILITIES	
SITE UTILITIES DETAILS	
DRAWING U-2	

NOTES:
 1. ENTIRE INSTALLATION SHALL BE IN ACCORDANCE WITH UTILITY CO. REQUIREMENTS
 2. CONTRACTOR SHALL PAY ALL RELATED COSTS, FEES ETC.

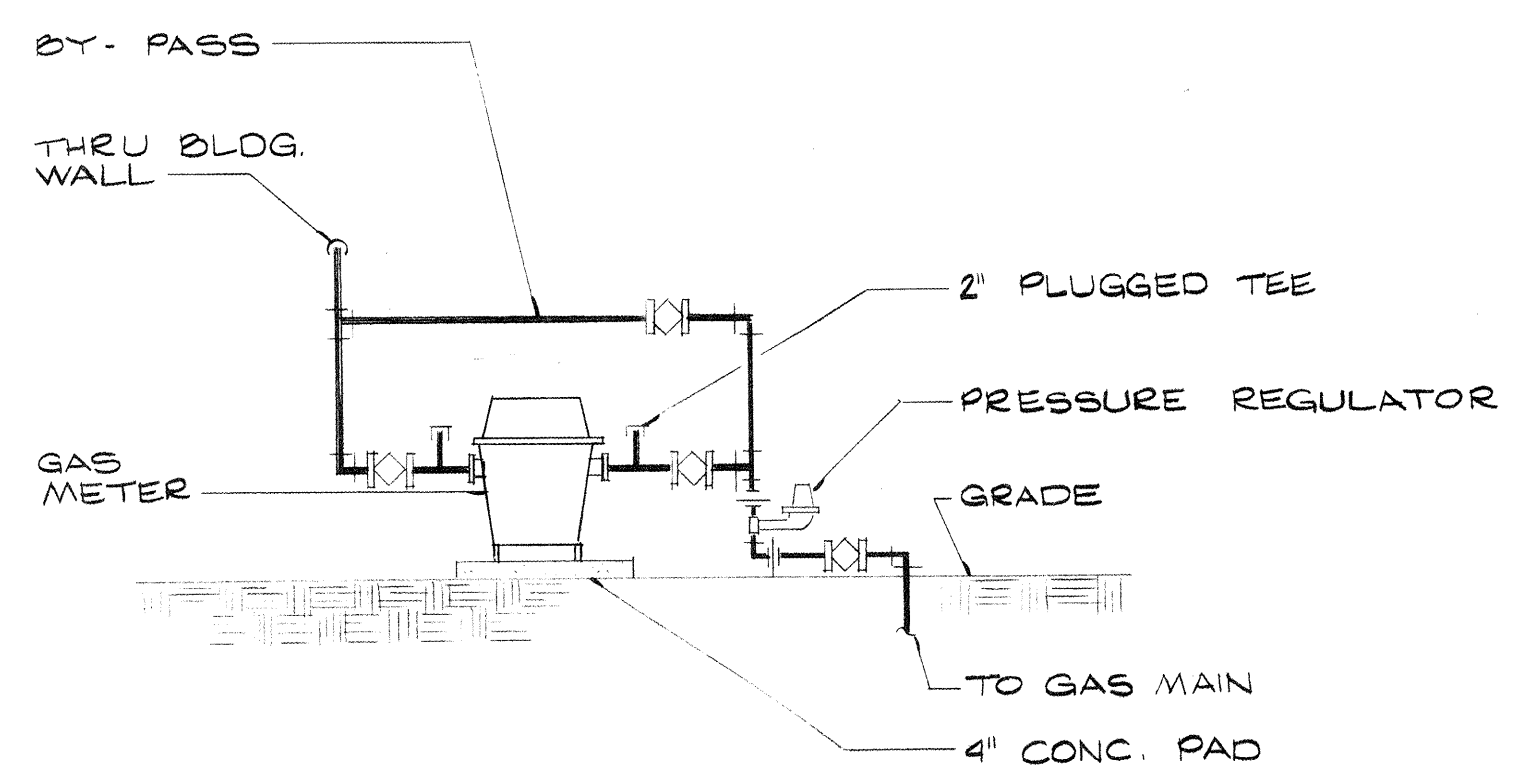


PLAN



SECTION

DETAIL OF COMBINATION PUMPER VAULT & WATER METER VAULT
 NO SCALE



GAS METER PIPING DIAGRAM
 NO SCALE

Consulting Engineers
 3257 Locness Drive
 Lexington, Kentucky

CARTER - FOSTER INC.

CAPITOL PLAZA HOTEL
 FRANKFORT / KENTUCKY

STATE OF KENTUCKY REGISTERED PROFESSIONAL ARCHITECT
 TAGGART FOSTER 6520

STATE OF KENTUCKY REGISTERED PROFESSIONAL ENGINEER
 GUY CARTER 4671

JR

JOHNSON / ROMANOWITZ / ARCHITECTS / LEXINGTON / KENTUCKY
 301 EAST VINE STREET, SUITE A
 TELEPHONE (606) 252-6781

DRAWN BH	PROJECT
CHECKED BH	DATE 5-10-83

SITE UTILITIES DETAILS

DRAWING
U-3