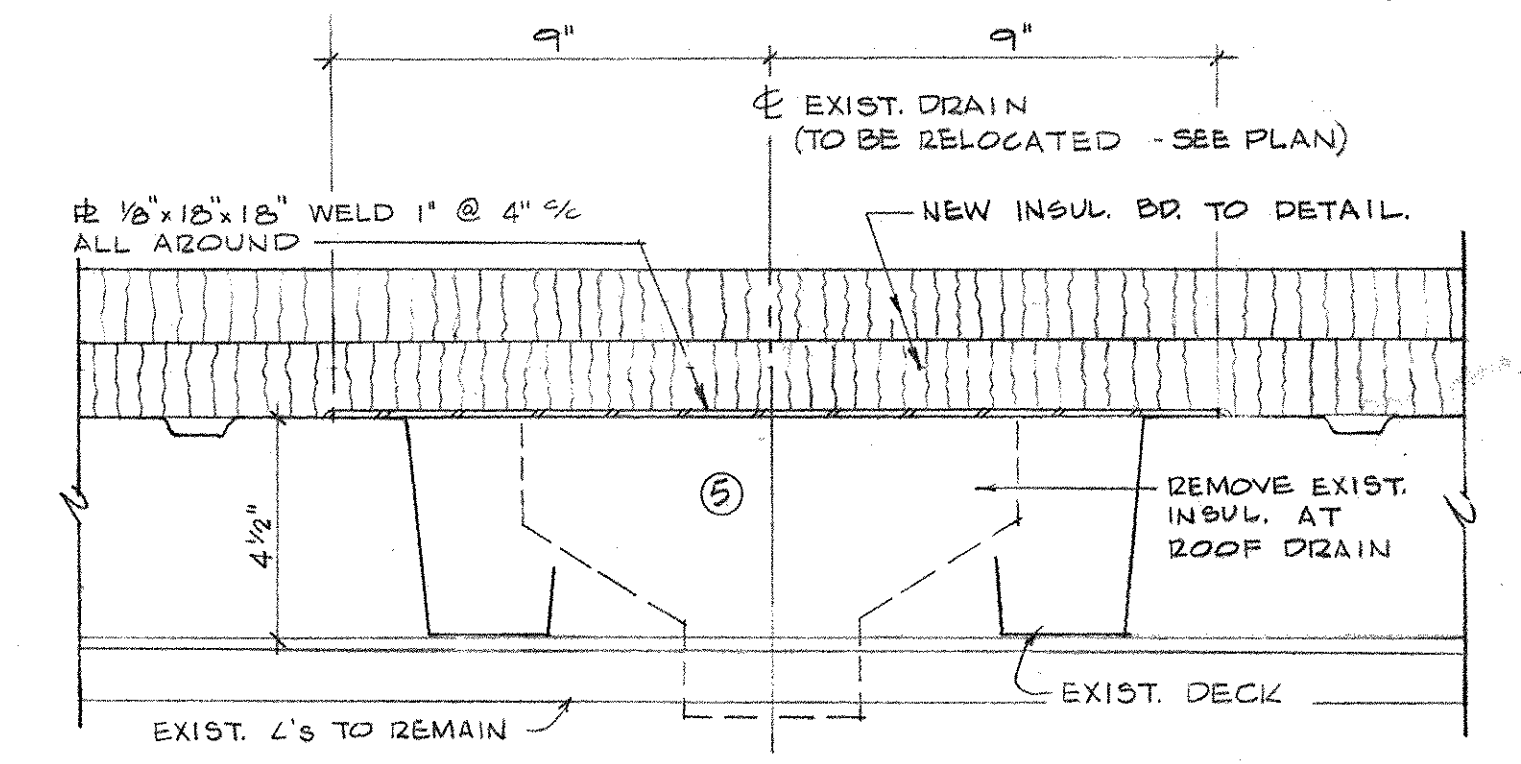


General Notes:

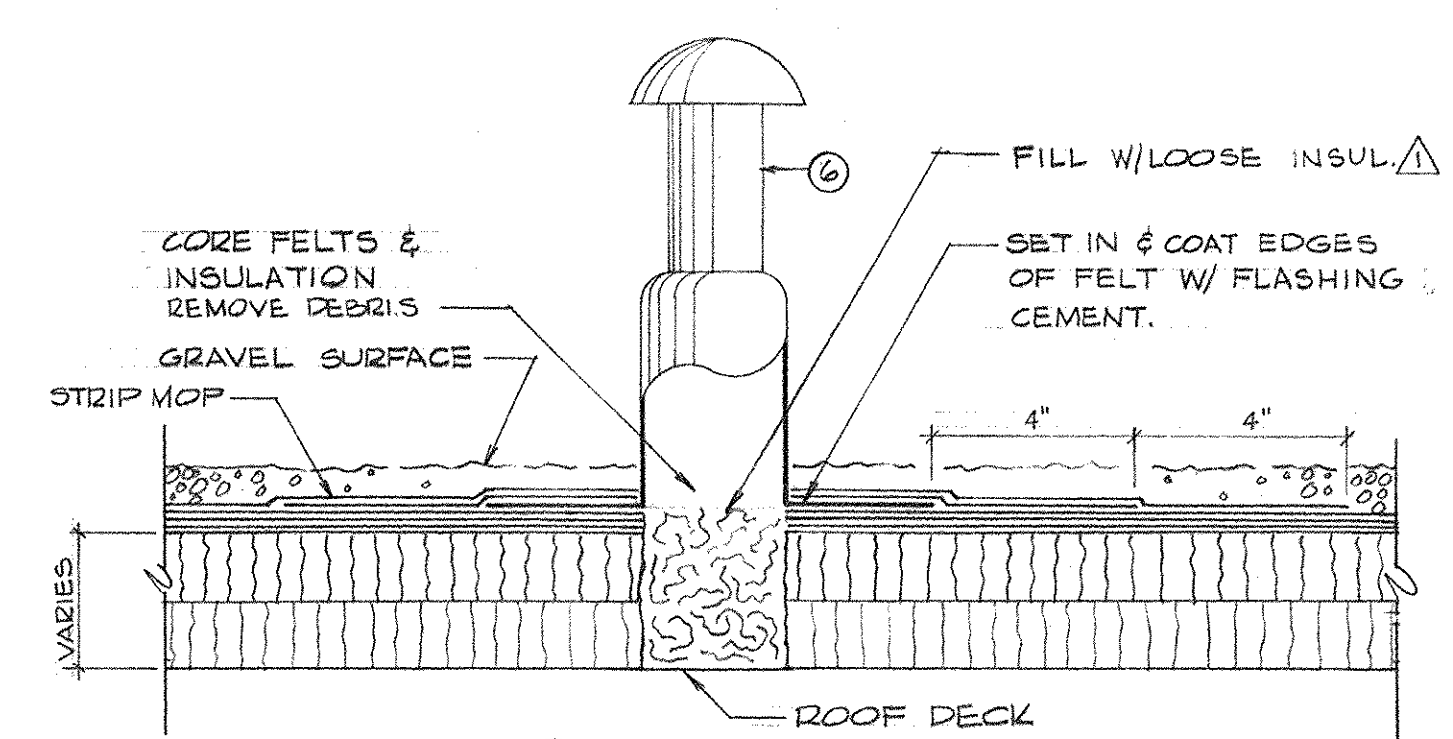
1. This contractor shall verify all dimensions at job site and make adjustments to field conditions as approved by the Architect at no additional cost to the Owner.
2. Contractor shall install temporary walkways to prevent construction traffic over new and existing roof surfaces.
3. Base flashing shall be set in flashing cement, nailed as specified and have nails and top sealed with application of flashing cement.
4. Fill all pitch pans and cans.
5. Contractor shall clean all trash, debris, excess gravel and other foreign materials from all roof surfaces requiring work under this contract.
6. Location shown for roof mounted ducts and equipment is approximate. Make field changes in insulation board layout as required and as approved by Architect.

WORK REQUIRED:

1. Remove existing roofing and insulation.
2.
 - a. Install 1 layer 1 5/8" insulation dry over metal deck. Nail through metal deck to nailing pattern shown. (All boards or parts thereof.)
 - b. Mop down second layer 1 5/8" insulation.
 - c. Install additional insulation to detail for slope and tape all joints.
 - d. Stagger joints in layers of insulation board and at tapered edges minimum 6 inch.
 - e. Install new built-up roofing with gravel surface as specified.
3. Remove existing metal eave flashing. Install new blocking and flashing to detail.
4. Remove existing vent shaft housing. Build new curb to detail and reinstall housing.
5. Remove existing roof drains. Repair existing metal deck to detail. Extend drain lines and install existing roof drains in new location shown to detail. Insulate bottom of drain and drain line extension.
6. Install new insulation vents to detail.



REPAIR OF DECK - WHERE ROOF DRAINS ARE REMOVED
3'-1'-0"

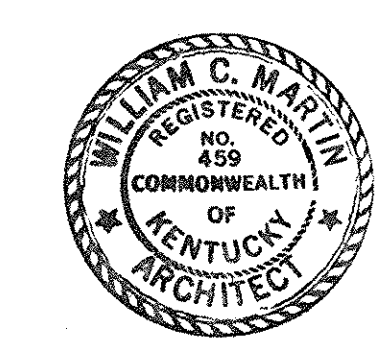


SECTION A-R-1 INSULATION VENT
3'-1'-0"

"AS-BUILT DRAWING"
THIS DRAWING HAS BEEN CORRECTED TO INDICATE THE CHANGES MADE DURING CONSTRUCTION.
REMARKS: ADD SA R-3
DATE: 2/14/77 BY: M

SCHEDULE OF DRAWINGS	
SHEET	TITLE
R-1	ROOF PLAN, NOTES & DETAILS
R-2	SECTION & DETAILS

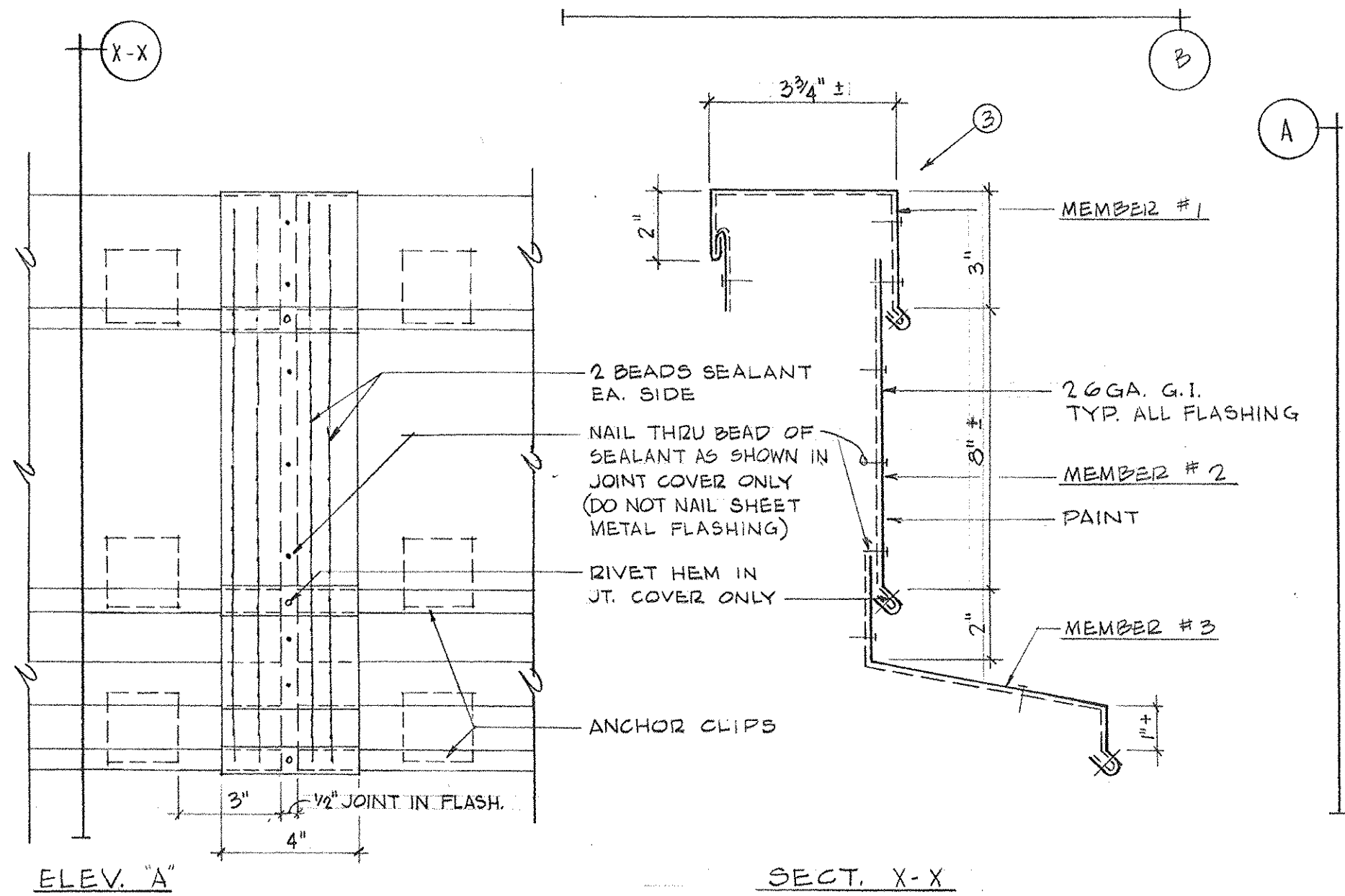
ROOF PLAN
1/4" = 1'-0"
PLAN NORTH



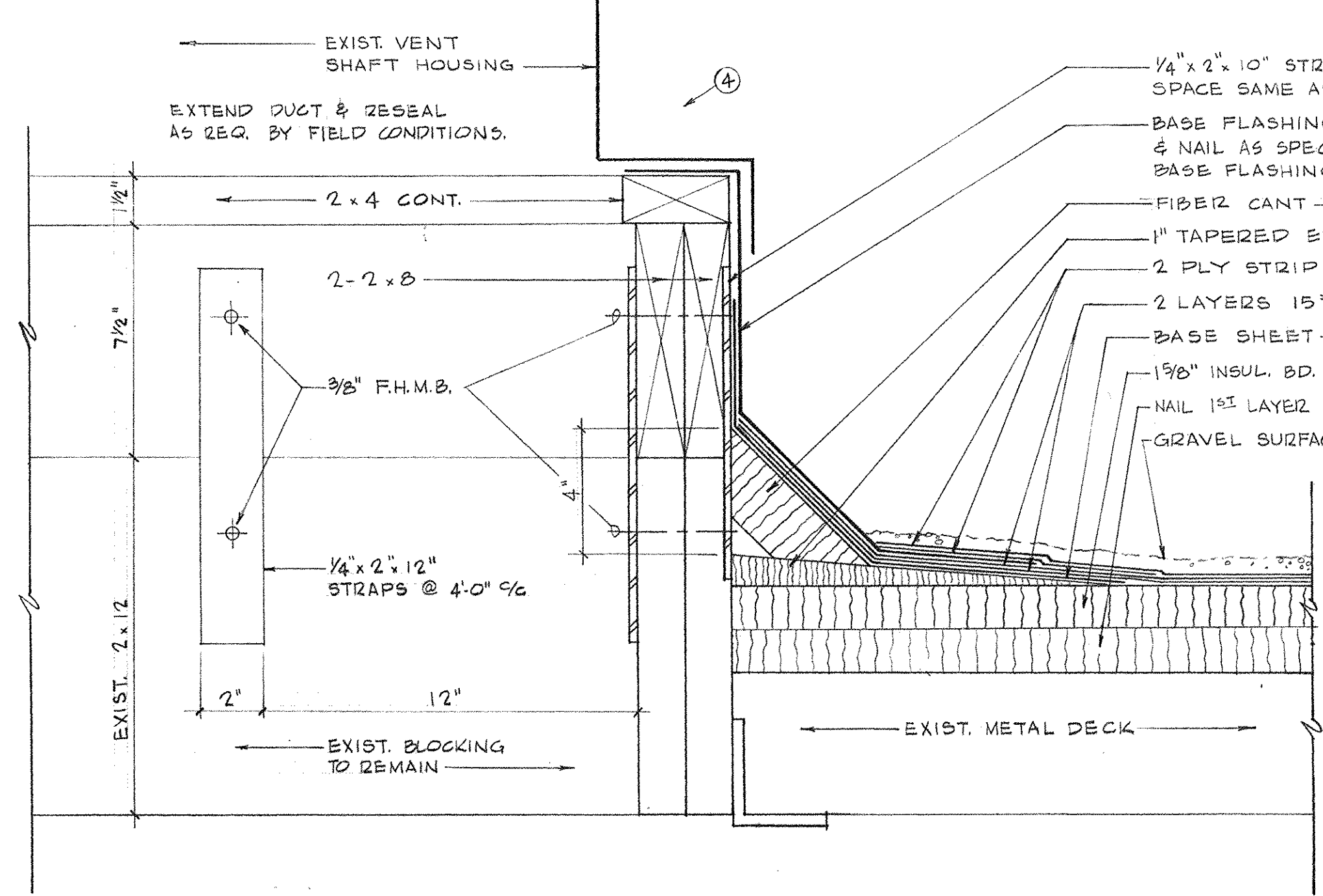
ROOF REPAIR CAPITAL PLAZA SPORTS AND CONVENTION CENTER FRANKFORT, KENTUCKY		
AS BUILT DATE	ROOF PLAN	DRAWING NO. R-1 OF 3
DRAWN BY JP	COMMONWEALTH OF KENTUCKY EXECUTIVE DEPT. FOR FINANCE AND ADMINISTRATION BUREAU OF FACILITIES MANAGEMENT Division of Engineering FRANKFORT, KENTUCKY	REVIEWED DIV. OF ENGR. for Intent only ENGR. FILE NO. M-219 U
CHECKED BY MARTIN	WILLIAM C. MARTIN ARCHITECTS - ENGINEERS	
DATE 10 FEB. 1976	CONSULTING ENGINEERS LEXINGTON, KENTUCKY	
AGENCY AUTHORIZED AGENT	Approved for program concept only	DATE
DIVISION OF ENGINEERING	W. J. Mc Connell Approved for program concept only	DATE 3-2-76

REV. Δ CHANGED-ISSUED WITH ADDENDUM NO. 2

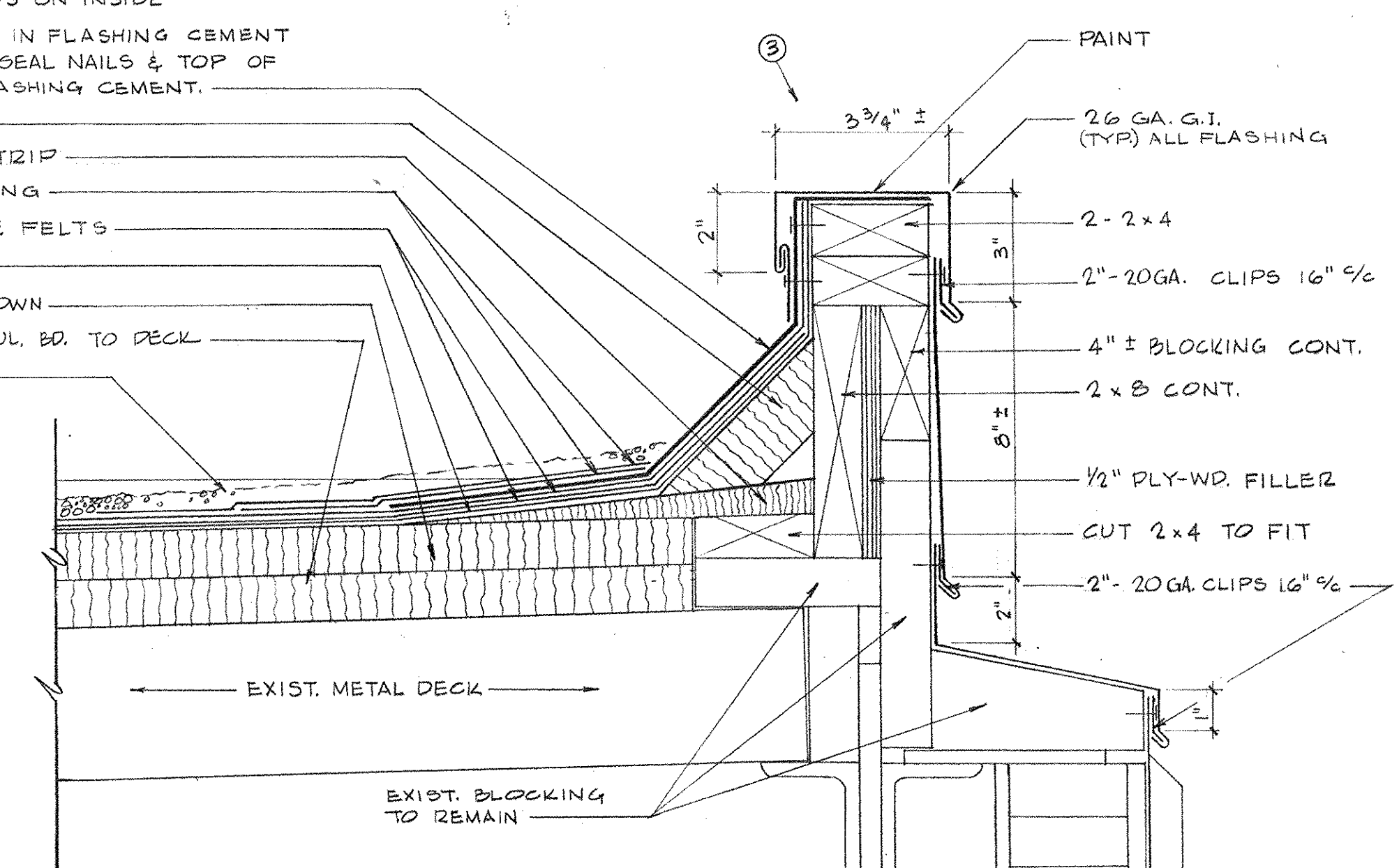
CPA-630



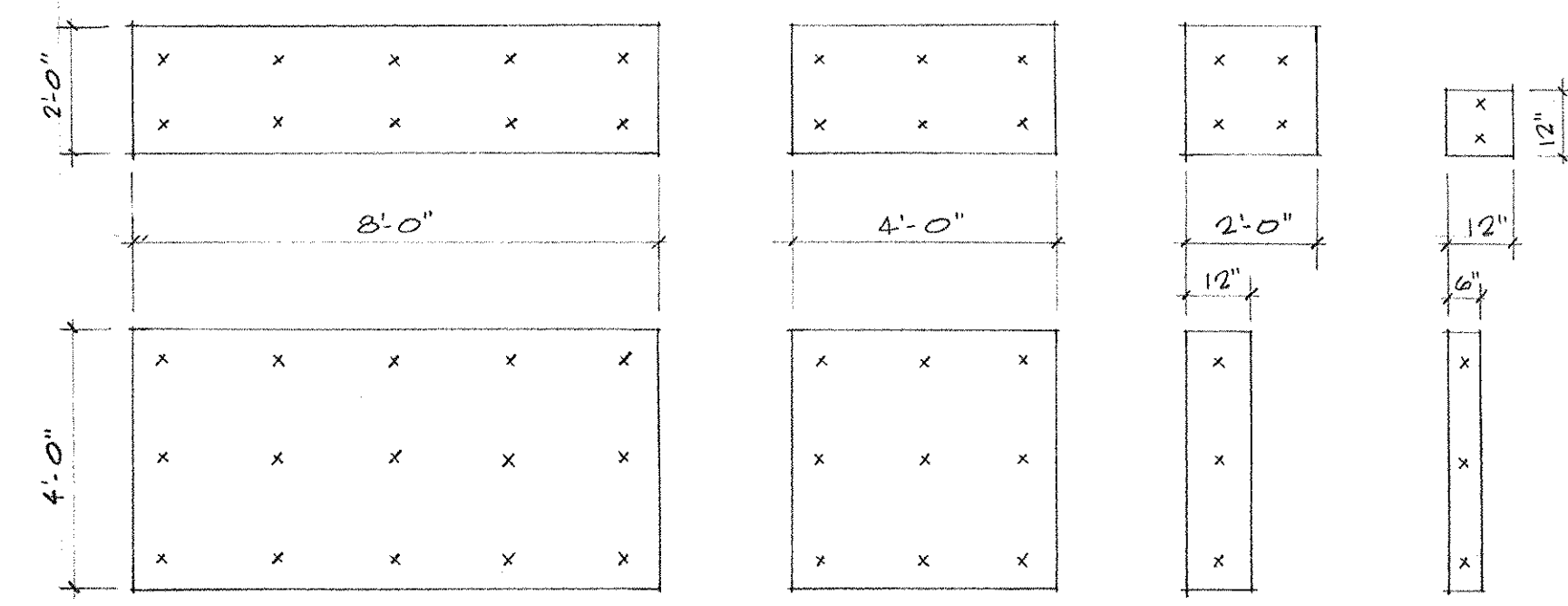
FLASHING JOINT COVER DETAIL



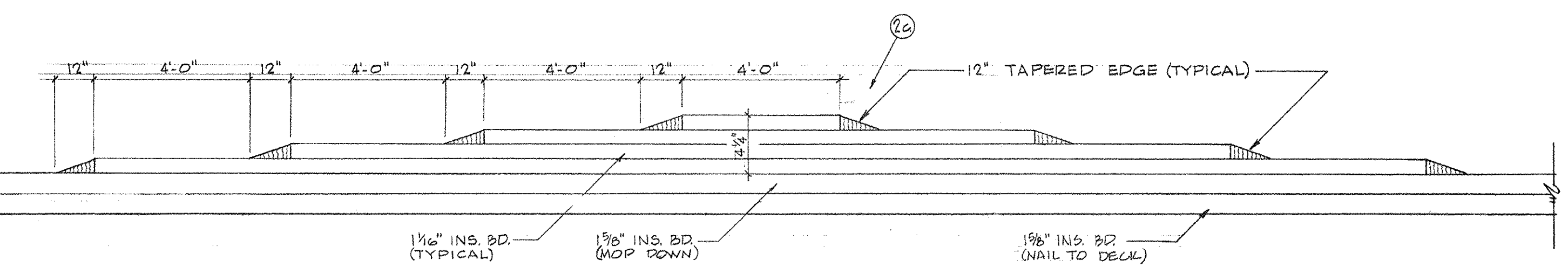
SECTION A-R-2 VENT SHAFT



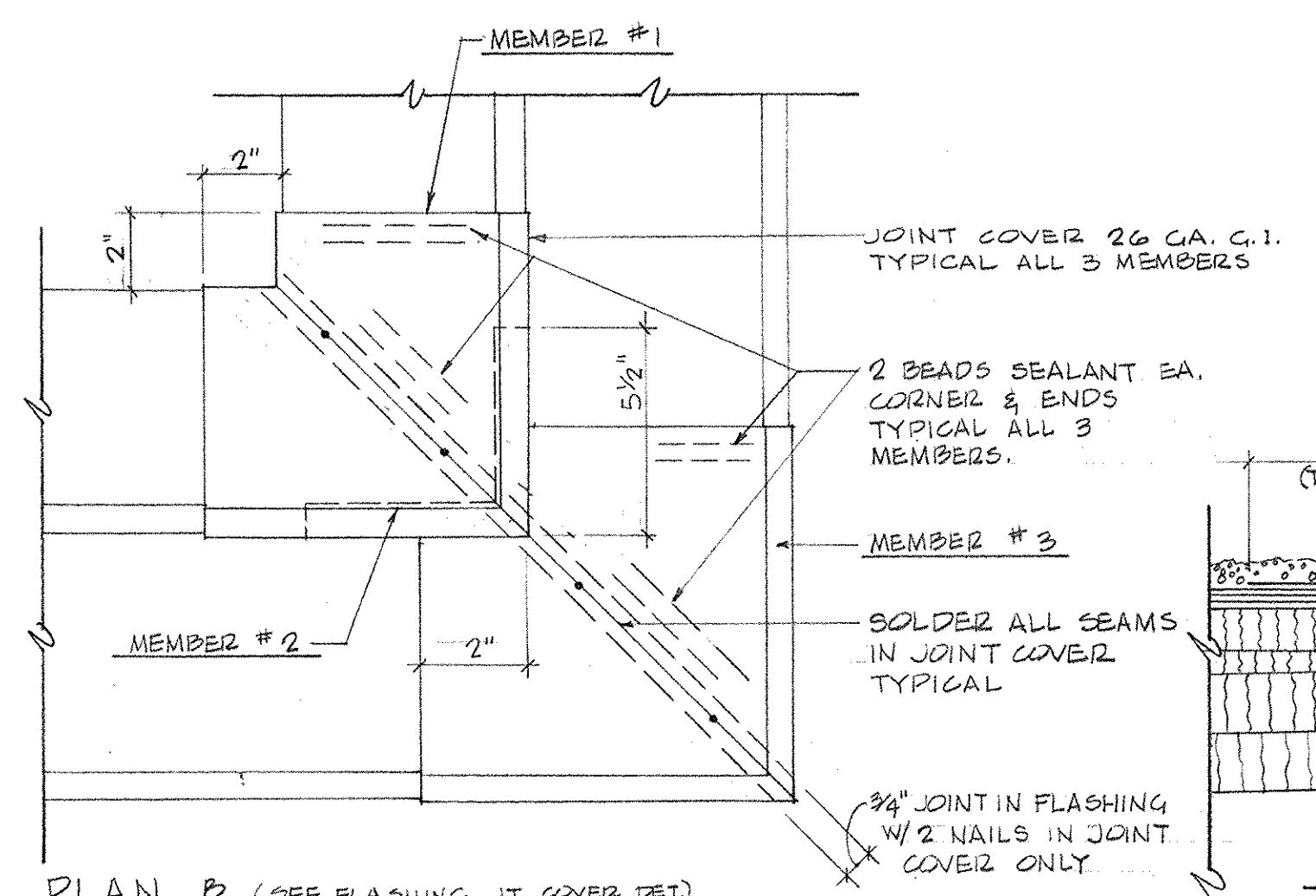
SECTION B-R-2 LOW POINT



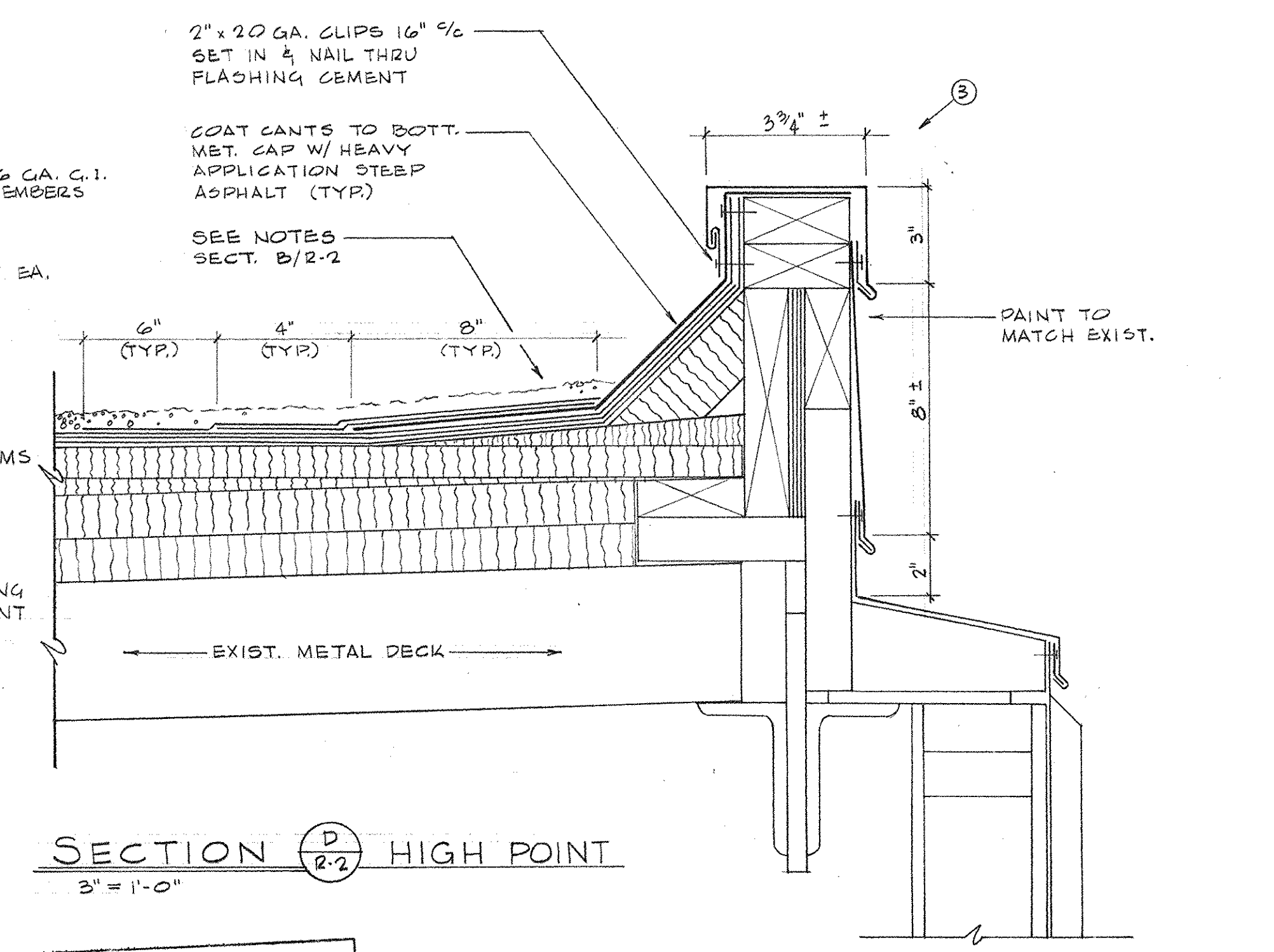
NAILING PATTERN - FIRST LAYER INSULATION BOARD



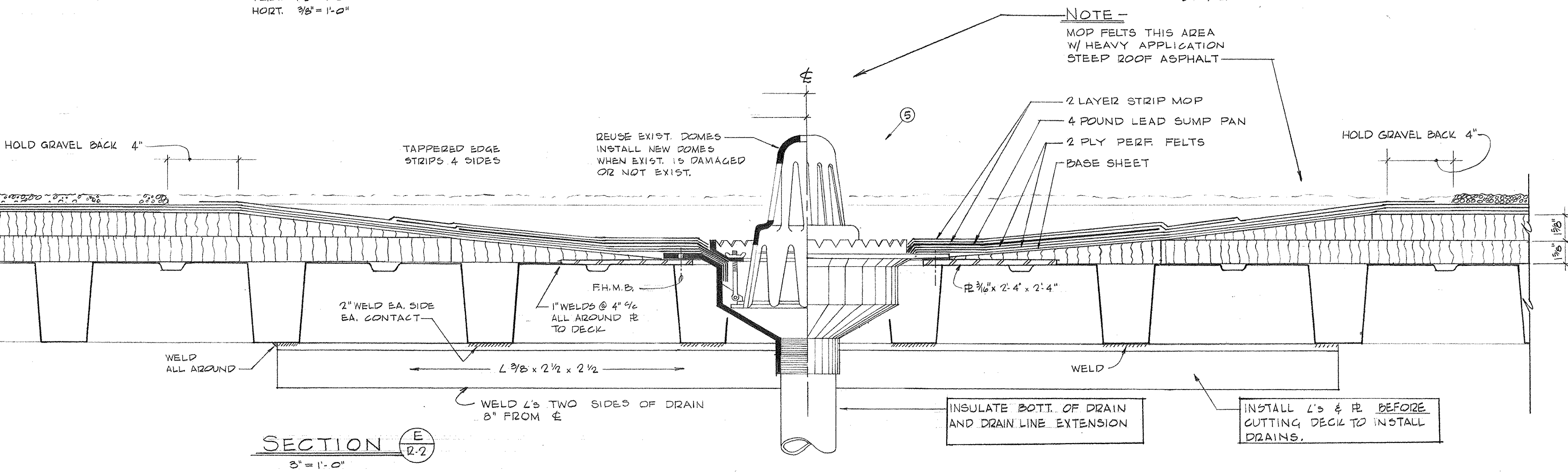
SECTION C-R-2 STEPPED INSULATION



SHEET METAL COVER @ CORNER



SECTION D-R-2 HIGH POINT



SECTION E-R-2

NOTE -
MOP FELTS THIS AREA W/ HEAVY APPLICATION STEEP ROOF ASPHALT

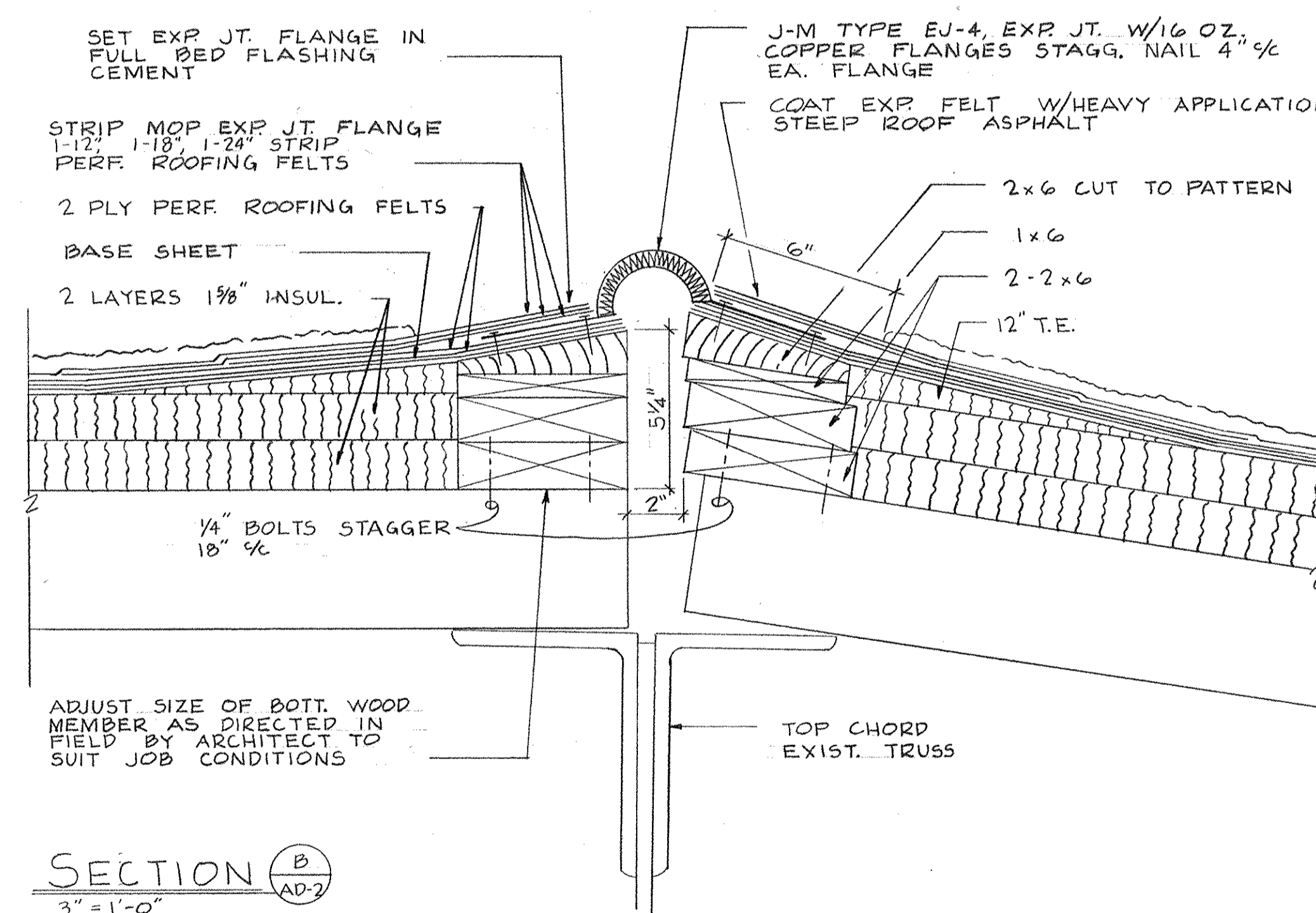
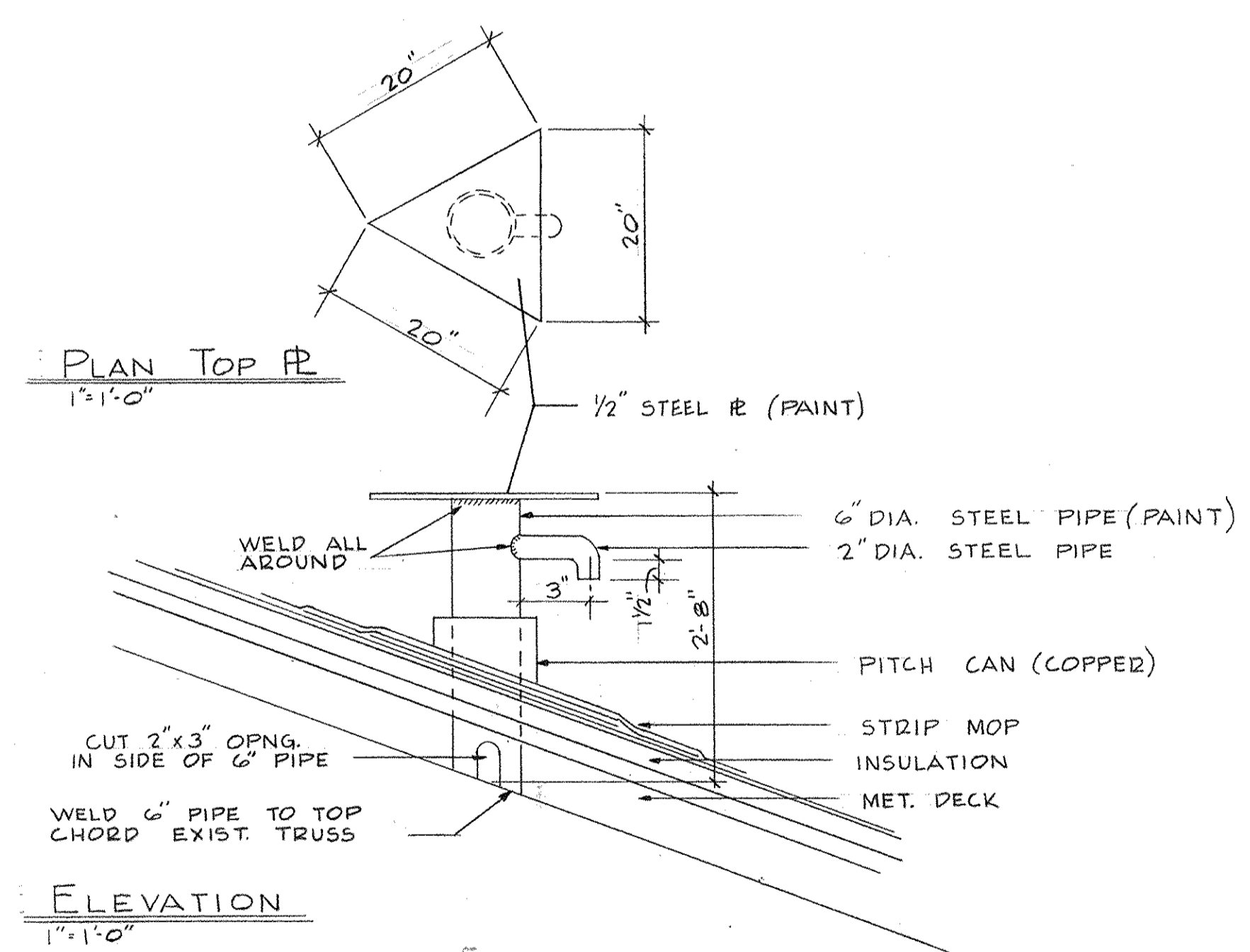
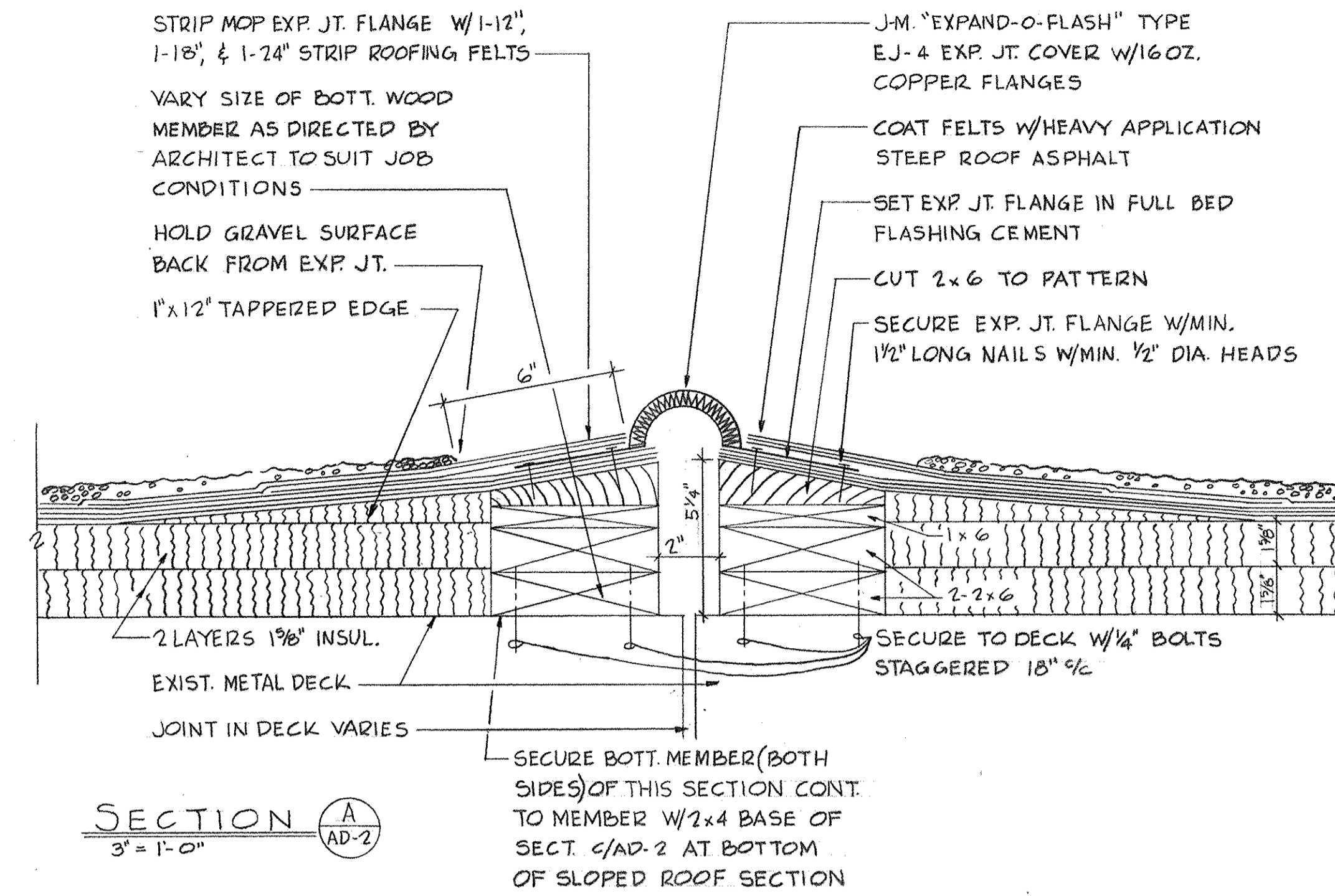
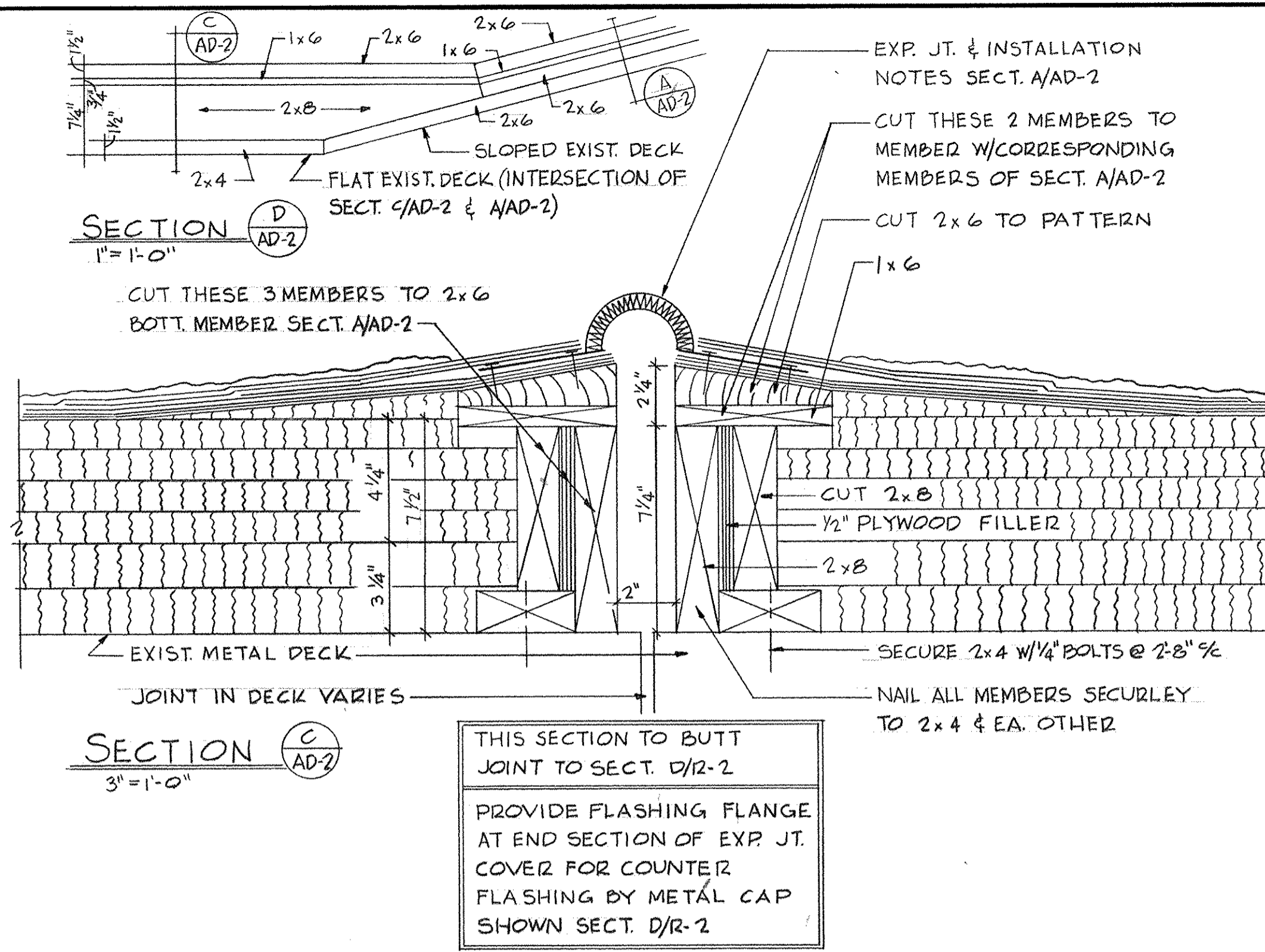
"AS-BUILT DRAWING"
THIS DRAWING HAS BEEN CORRECTED TO INDICATE THE CHANGES MADE DURING CONSTRUCTION.
REMARKS:
DATE: 2/8/77 BY: [Signature]



ROOF REPAIR CAPITAL PLAZA SPORTS AND CONVENTION CENTER FRANKFORT, KENTUCKY			
AS BUILT DATE	SECTIONS & DETAILS	DRAWING NO.	R-2
DRAWN BY	COMMONWEALTH OF KENTUCKY EXECUTIVE DEPT. FOR FINANCE AND ADMINISTRATION BUREAU OF FACILITIES MANAGEMENT Division of Engineering FRANKFORT, KENTUCKY	OF 3	
CHECKED BY	WILLIAM C. MARTIN ARCHITECTS - ENGINEERS	REVIEWED	DIV. OF ENGR.
A&E FILE NO.	295	DATE	10 FEB. 1976
AGENCY AUTHORIZED AGENT	Approved for program concept only	DATE	
DIVISION OF ENGINEERING	W. J. Mc Connell Approved for program concept only	DATE	3-2-76

9	
8	
7	
6	
5	
4	
3	
2	
1	

CPA-631



SECTION D AD-2
WEATHER RADIO ANTENNA SUPPORT

THIS SA COMPILED FROM SKETCHES ISSUED W/ADD. NO. 2 DATED 31 MAR. 1976.

"AS-BUILT DRAWING"
THIS DRAWING HAS BEEN CORRECTED TO INDICATE THE CHANGES MADE DURING CONSTRUCTION.
REMARKS:
DATE: 2/8/77 BY: M



9	
8	
7	
6	
5	
4	
3	
2	
1	

ROOF REPAIR CAPITAL PLAZA SPORTS AND CONVENTION CENTER FRANKFORT, KENTUCKY			
AS BUILT DATE		DRAWING NO.	R-3
DRAWN BY	J. R.	CHECKED BY	M
COMMONWEALTH OF KENTUCKY EXECUTIVE DEPT. FOR FINANCE AND ADMINISTRATION BUREAU OF FACILITIES MANAGEMENT Division of Engineering FRANKFORT, KENTUCKY		REVIEWED	OF 3
DATE	31 MAR. 76	FOR INTENT ONLY	
ENGR. FILE NO.		REVIEWED	DIV. OF ENGR.
AGENCY	Approved for program concept only	DATE	
DIVISION OF ENGINEERING	Approved for program concept only	DATE	

CPA-631A