

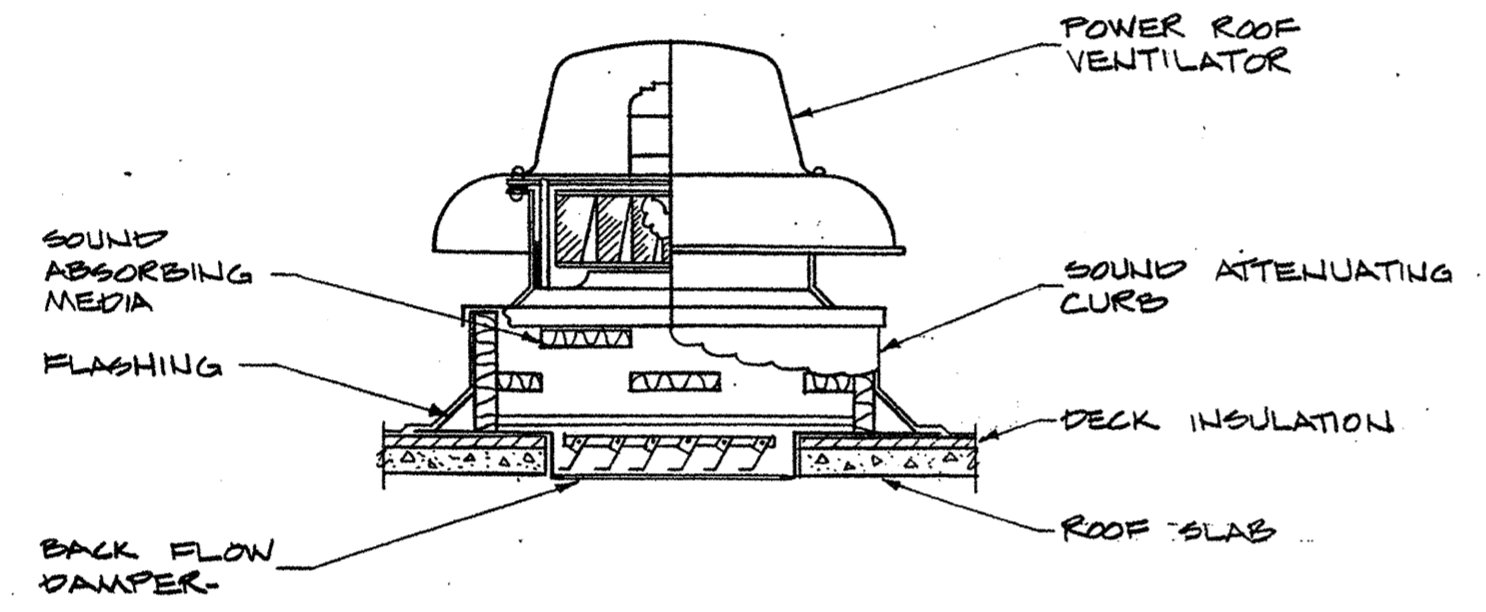
NOTES:

- DUCTWORK AND PIPING IN ROOMS WITH SUSPENDED CEILINGS SHALL BE ABOVE CEILING EXCEPT IN EQUIPMENT ROOMS.
- INSTALL AIR VENTS AT HIGH POINTS IN PIPING AND DRAINS IN LOW POINTS.
- DIMENSIONS OF INTERNALLY LINED DUCTS ARE INSIDE DIMENSIONS AND DO NOT INCLUDE ALLOWANCE FOR INTERNAL INSULATION. DIMENSIONS FOR UNLINED DUCTS ARE INSIDE DIMENSIONS.
- LOCATIONS OF PIPING, DUCTS AND EQUIPMENT ARE APPROXIMATE AND SUBJECT TO MINOR ADJUSTMENTS IN THE FIELD. DO NOT SCALE THE DRAWINGS.
- ALL OFFSETS IN DUCTS AND PIPING ARE NOT NECESSARILY SHOWN. PROVIDE ADDITIONAL OFFSETS WHERE NECESSARY.
- COORDINATE WITH PLUMBING, ELECTRICAL AND SPRINKLER CONTRACTORS TO AVOID INTERFERENCE WITH PIPING, DUCTS AND CONDUIT.
- INSTALL ALL PIPING, DUCTWORK AND EQUIPMENT IN STRICT ACCORDANCE WITH MANUFACTURERS INSTALLATION INSTRUCTIONS.
- SEAL AIRTIGHT AROUND ALL DUCTS AND PIPING PENETRATIONS THROUGH WALLS, FLOORS AND ROOF.
- TAPE ALL TRANSVERSE JOINTS IN ALL DUCTWORK WITH 3" WIDE OR WIDE PRESSURE SENSITIVE DUCT TAPE UNLESS SPECIFIED OTHERWISE. SEE SPECS.
- FURNISH AND INSTALL FIRE DAMPERS AT PENETRATIONS OF FIRE WALLS AND PROVIDE ACCESS DOORS IN DUCTS ADJACENT TO EACH FIRE DAMPER FOR INSPECTION AND RESETTING.
- REFER TO ARCHITECTURAL REFLECTED CEILING PLAN FOR EXACT LOCATIONS OF GRILLES AND DIFFUSERS IN CEILINGS.
- FURNISH AND INSTALL ACCESS DOORS UNDER ALL MECHANICAL EQUIPMENT LOCATED ABOVE INACCESSIBLE CEILINGS.

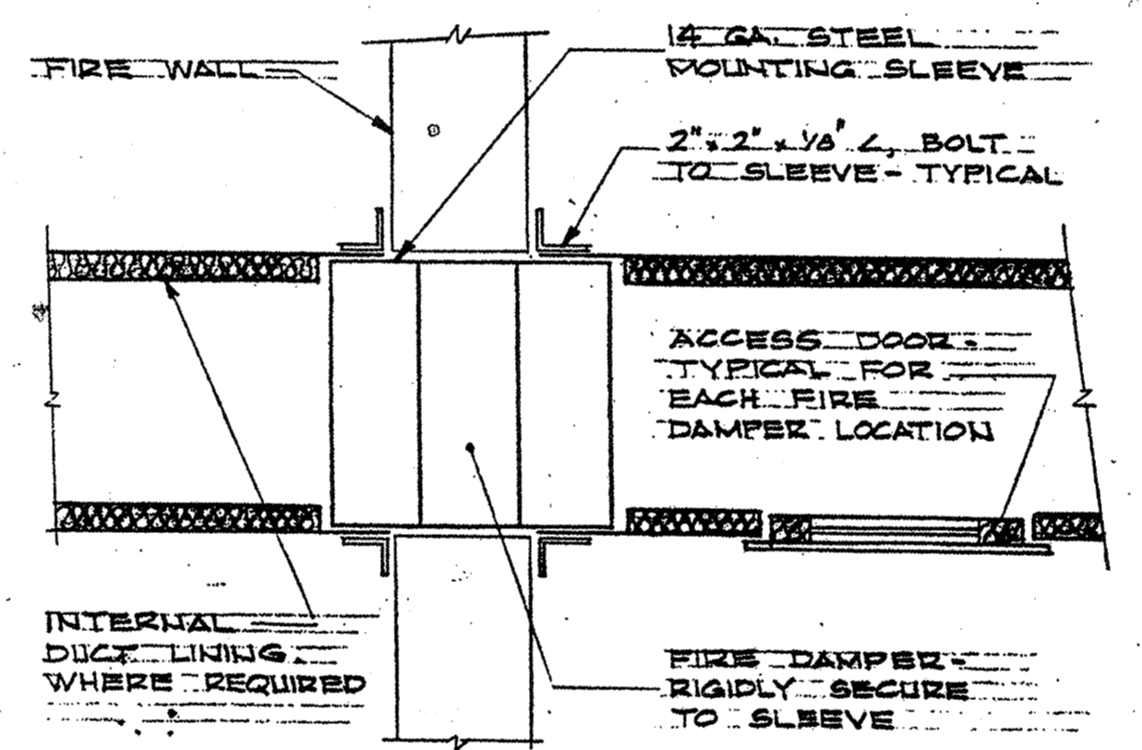
ABBREVIATIONS	
CW	CHILLED WATER
HW	HOT WATER
VD	VOLUME DAMPER
MD	MOTOR OPERATED DAMPER
S	SUPPLY
R	RETURN
E	EXHAUST
AD	ACCESS DOOR
BS	BASKET STRAINER
SD	SUCTION DIFFUSER
A.F.	ABOVE FINISHED FLOOR
S.A.	SUPPLY AIR
R.A.	RETURN AIR
E.A.	EXHAUST AIR
O.A.	OUTSIDE AIR
T.C.A.C.	TEMPERATURE CONTROL AIR COMPRESSOR
T.C.A.D.	TEMPERATURE CONTROL AIR DRIER
T.C.P.	TEMPERATURE CONTROL PANEL
A.V.	MANUAL AIR VENT
A.A.V.	AUTOMATIC AIR VENT
F.D.	FIRE DAMPER
N.O.	NORMALLY OPEN
N.C.	NORMALLY CLOSED
P.A.	PRIMARY AIR
V.V.	VARIABLE VOLUME
S.M.D.	MOTOR OPERATED SMOKE DAMPER

DUCT SYSTEM LEGEND	
	RECTANGULAR DUCT - WIDTH x DEPTH
	INTERNALLY LINED DUCT
	ROUND DUCT - SIZE INDICATES DIAMETER
	FLEXIBLE DUCT
	RISE IN DIRECTION OF ARROW
	RECTANGULAR TO ROUND TRANSITION
	SQUARE ELBOW WITH TURNING VANES
	TRACTOR
	VOLUME DAMPER
	ACCESS DOORS IN DUCT
	FIRE DAMPER
	ROUND DUCT - UP, DOWN
	SUPPLY OR OUTSIDE AIR - UP, DOWN
	RETURN AIR - UP, DOWN
	EXHAUST AIR - UP, DOWN
	FLEXIBLE CONNECTION
	MOTOR OPERATED DAMPER
	DIRECTION OF AIR FLOW
	STATIC PRESSURE SENSOR IN DUCT
	SECTION DESIGNATION - "H-3" INDICATES SHEET WHERE SECTION "A" IS DRAWN
	FAN TERMINAL UNIT WITH TEMPERATURE CONTROL ZONE INDICATION
	FAN TERMINAL UNIT TYPE WITH MAX. & MIN. PRIMARY AIR QUANTITIES
	ROOM THERMOSTAT WITH TEMPERATURE CONTROL ZONE INDICATION
	NIGHT THERMOSTAT
	DUCT THERMOMETER
	STATIC PRESSURE GAUGE
	MANUAL OVERRIDE TIMER
	SMOKE DAMPER IN WALL ABOVE CEILING
	R.A. OPENING IN WALL ABOVE CEILING

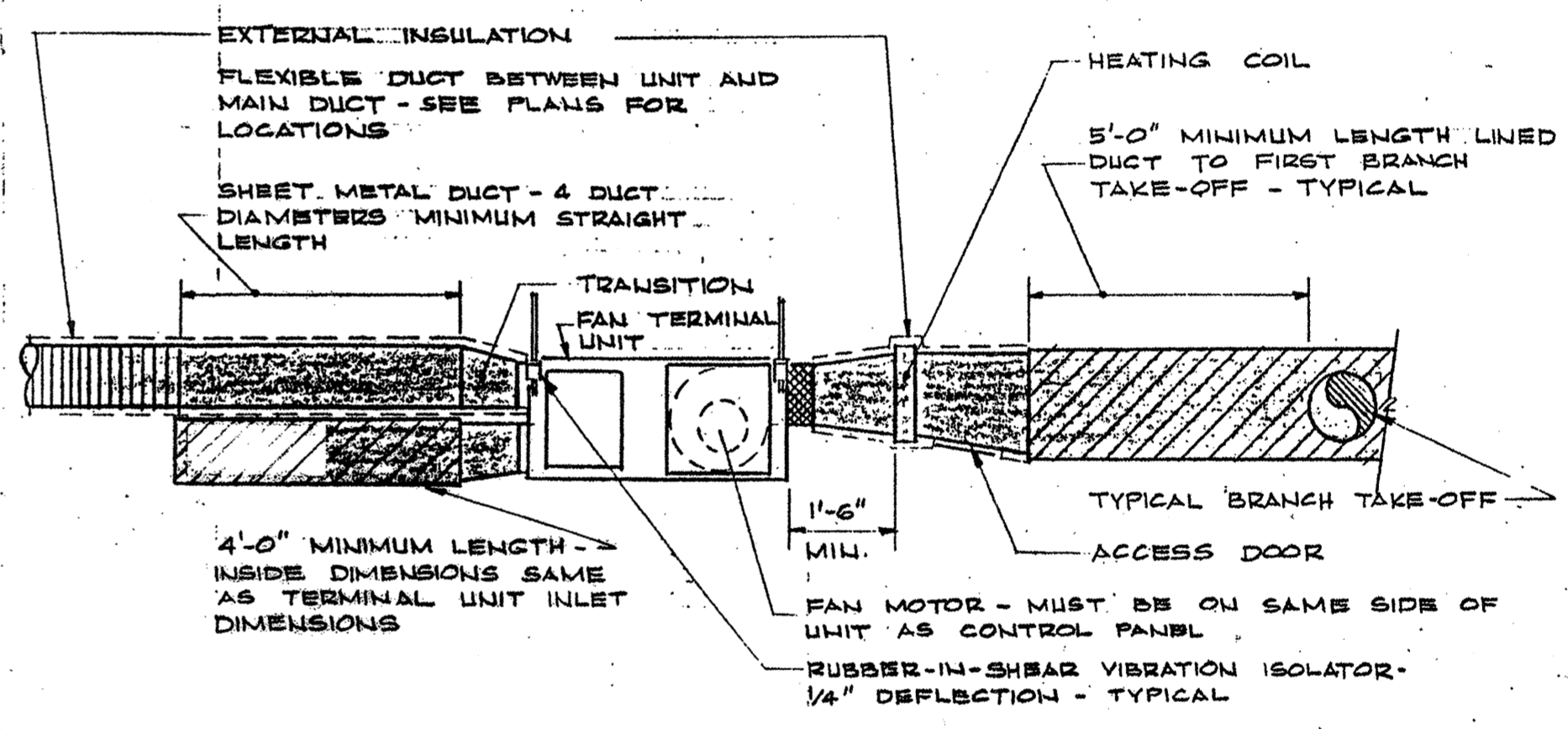
PIPING LEGEND	
	DOMESTIC WATER
	FUEL OIL SUPPLY
	FUEL OIL RETURN
	CONDENSATE DRAINAGE
	CHILLED WATER SUPPLY
	CHILLED WATER RETURN
	CHILLED-HOT WATER SUPPLY
	CHILLED-HOT WATER RETURN
	HOT WATER SUPPLY
	HOT WATER RETURN
	VENT
	TYPICAL VALVES; SCREWED, FLANGED
	TYPICAL VALVE WITH CHAIN OPERATOR
	GATE VALVE; PLAN, END VIEW
	BALANCING VALVE; PLAN, END VIEW
	CHECK VALVE; SILENT CHECK VALVE
	GLOBE VALVE
	2-WAY CONTROL VALVE
	3-WAY CONTROL VALVE
	Y-TYPE STRAINER
	SAFETY RELIEF VALVE; PLAN, ELEVATION
	FLEXIBLE CONNECTOR
	PRESSURE GAUGE WITH SNUBBER & SHUT-OFF
	THERMOMETER
	UNION
	AIR VENT; PLAN, ELEVATION
	CONCENTRIC REDUCER; PLAN, ELEVATION
	ECCENTRIC REDUCER; PLAN, ELEVATION
	3/4" DRAIN VALVE WITH HOSE CONNECTION
	SYMBOL - TOP NUMBER INDICATES HEATING UNIT TYPE & SIZE, BOTTOM NUMBER INDICATES WATER FLOW GPM



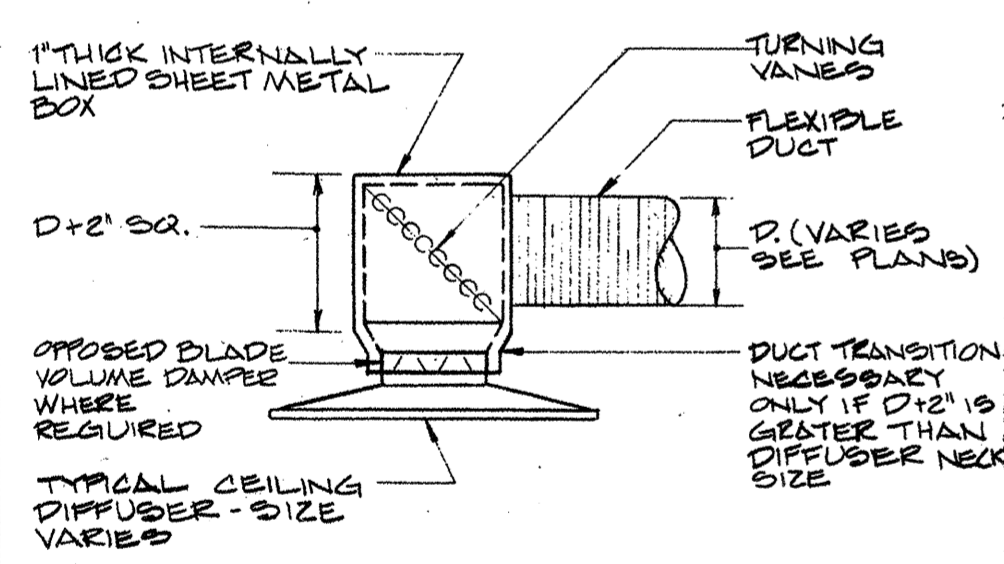
DETAIL-POWER ROOF VENTILATOR INSTALLATION
NO SCALE



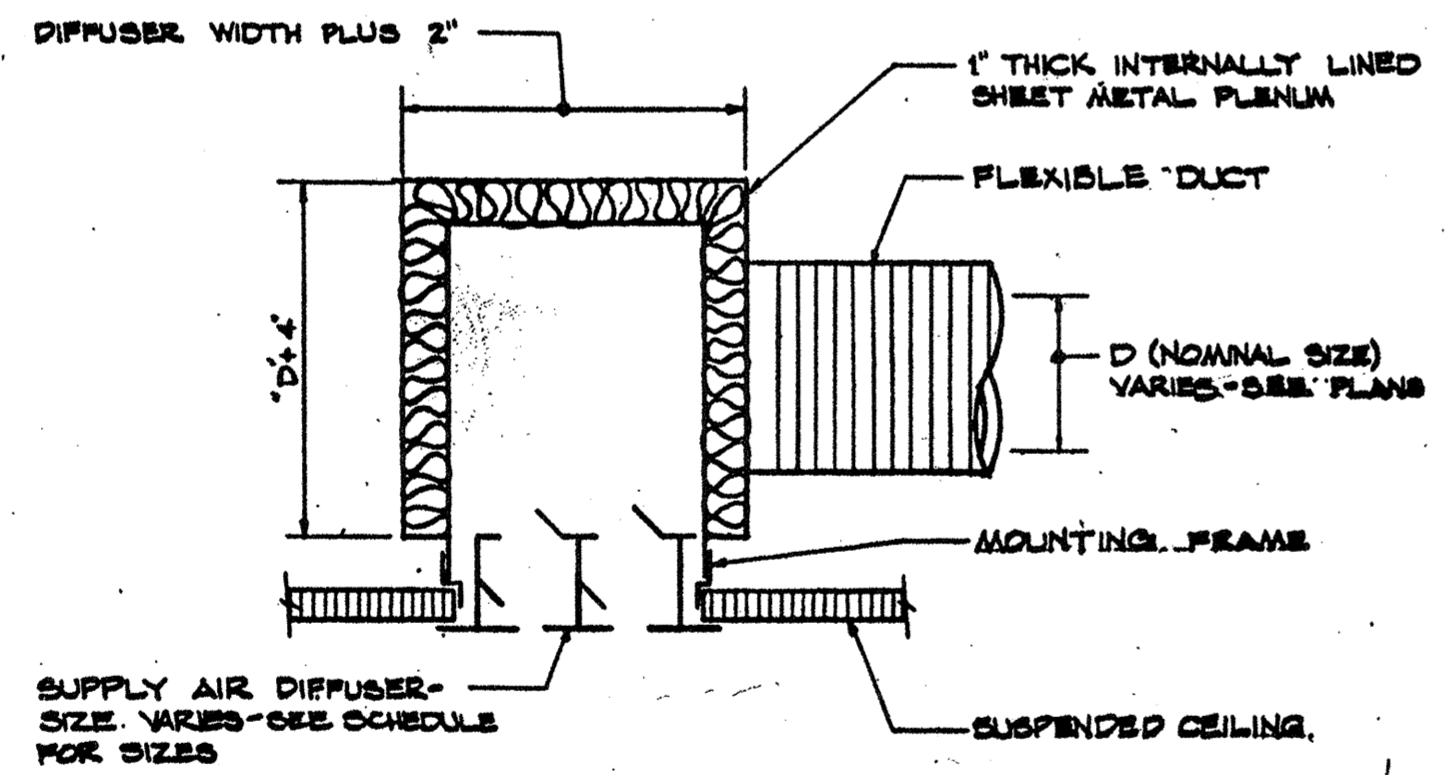
FIRE DAMPER INSTALLATION DETAIL-RECTANGULAR DUCT
NO SCALE



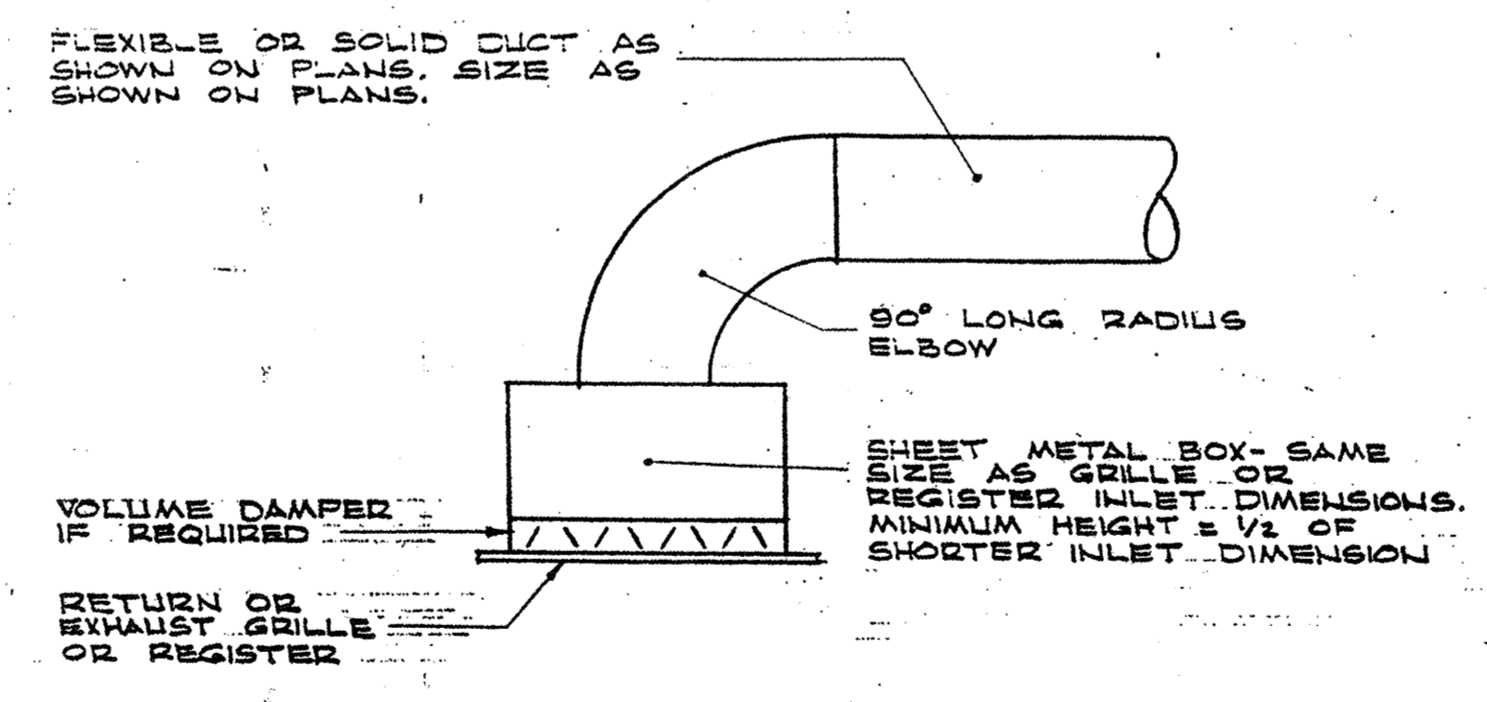
FAN TERMINAL UNIT INSTALLATION DETAIL
NO SCALE



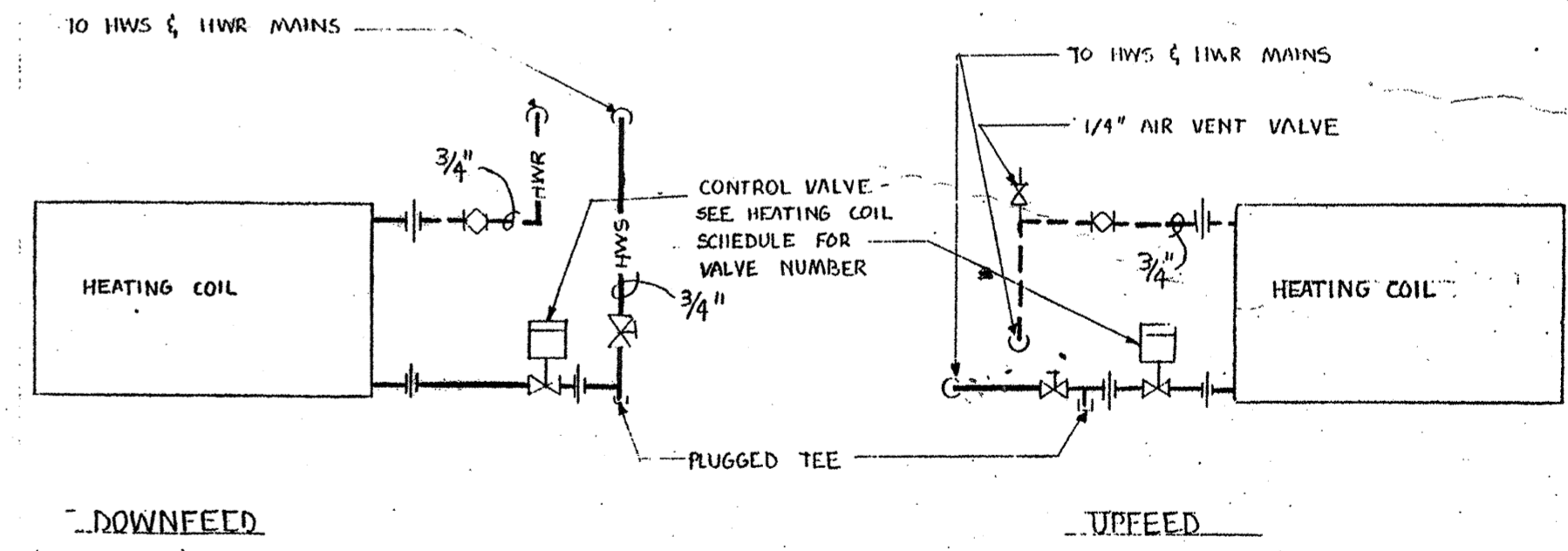
CONNECTION TO SQUARE OR RECTANGULAR NECK CEILING DIFFUSER
NO SCALE



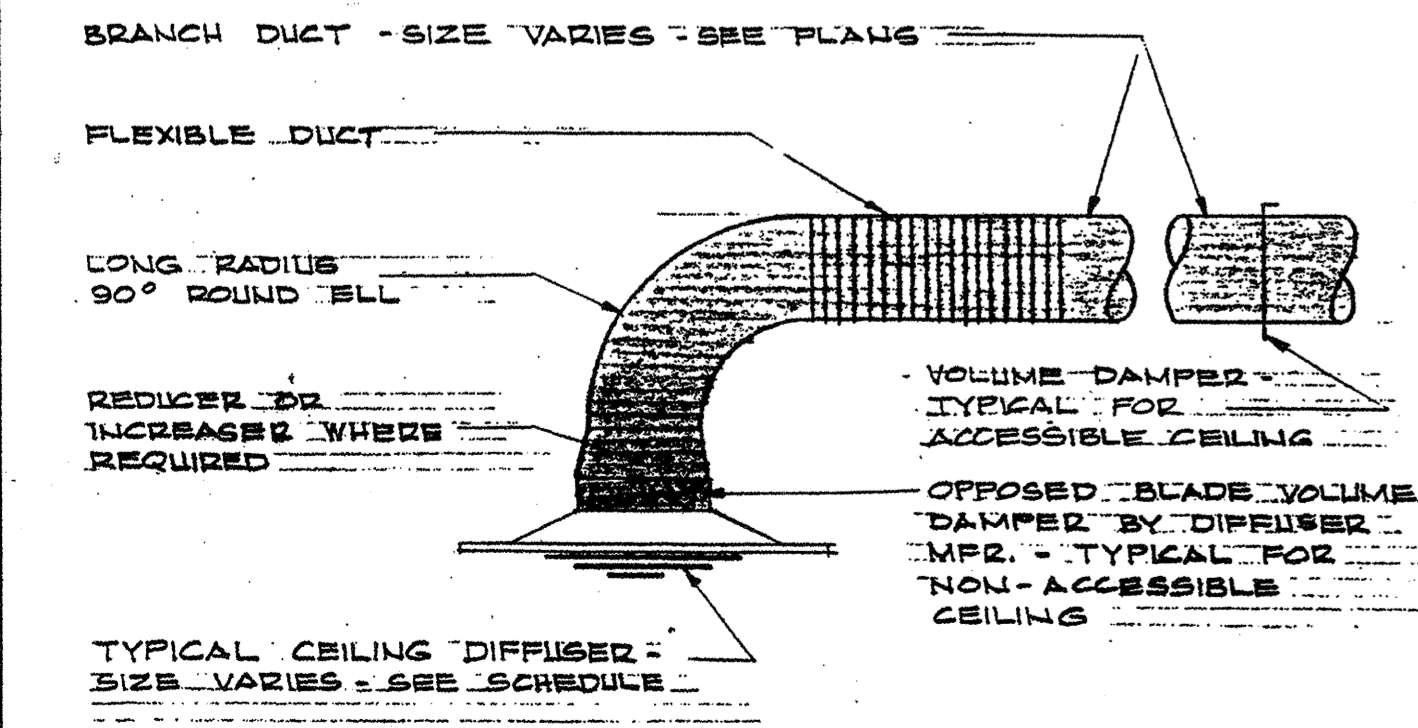
CONNECTION TO LINEAR DIFFUSER
NO SCALE



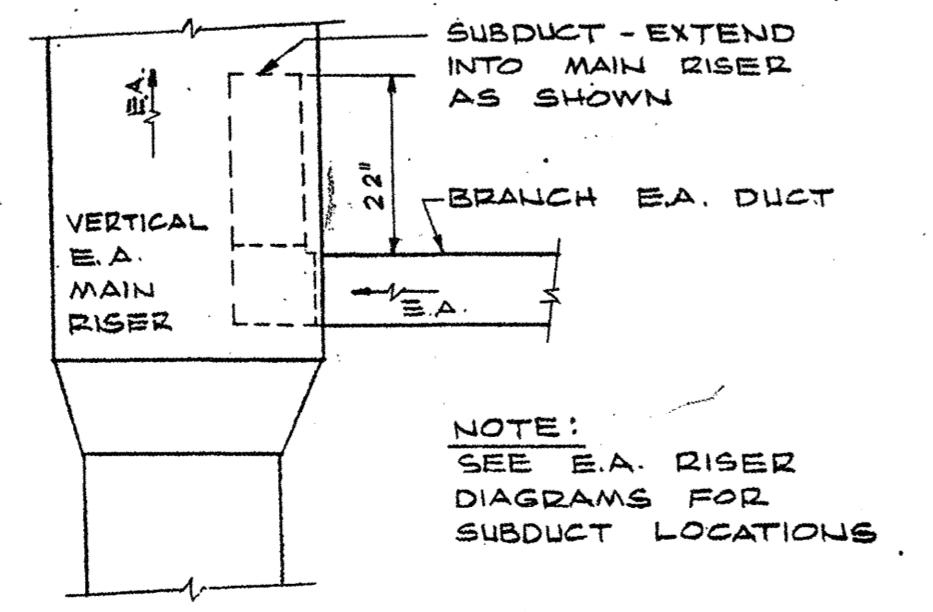
ROUND DUCT CONNECTION TO RETURN OR EXHAUST GRILLE OR REGISTER
NO SCALE



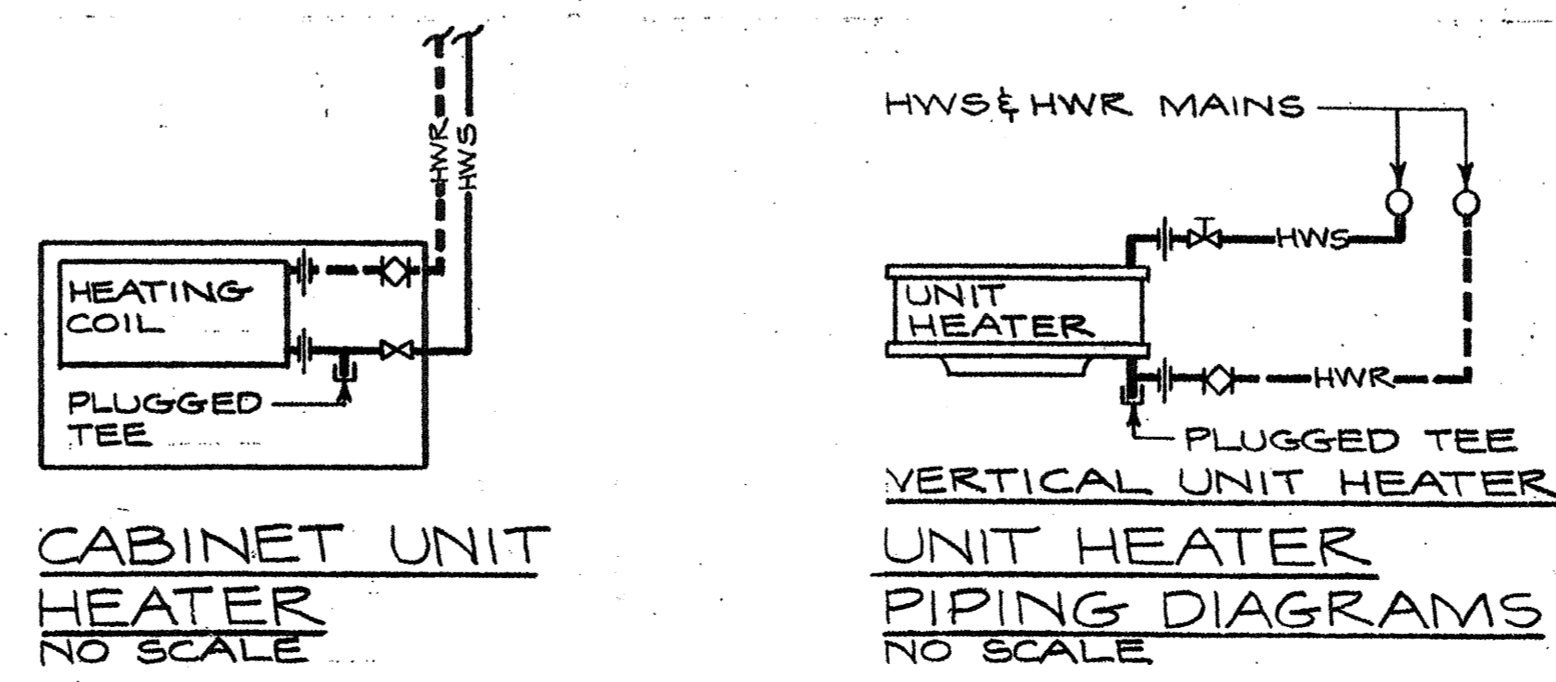
FAN TERMINAL UNIT HTG. COIL PIPING DIAGRAM
NO SCALE



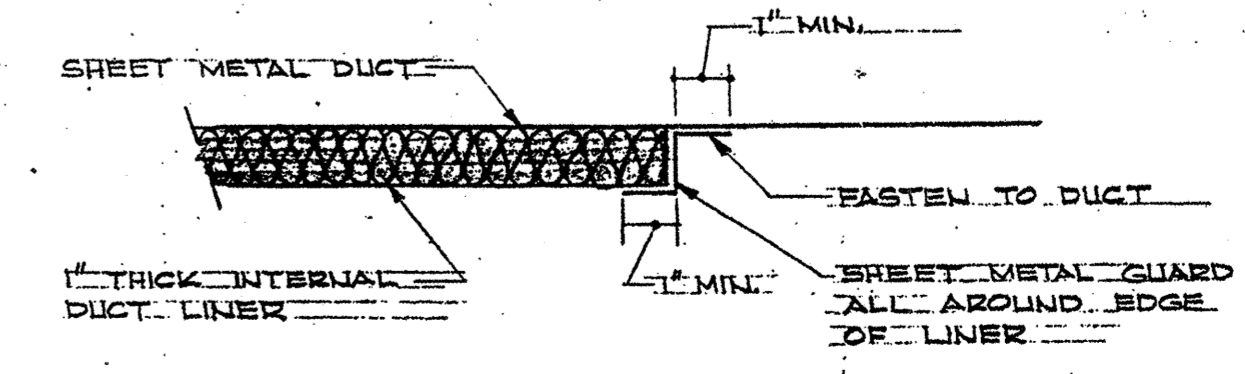
CONNECTION TO CEILING DIFFUSER
NO SCALE



TYPICAL EXHAUST SUBDUCT
NO SCALE



CABINET UNIT HEATER PIPING DIAGRAM
VERTICAL UNIT HEATER PIPING DIAGRAM
NO SCALE



DETAIL-TYPICAL CHANGE FROM LINED DUCT TO UNLINED DUCT
NO SCALE

Consulting Engineers
3257 Lochness Drive
Lexington, Kentucky

ARTER - FOSTER INC.

CAPITOL PLAZA HOTEL
FRANKFORT / KENTUCKY

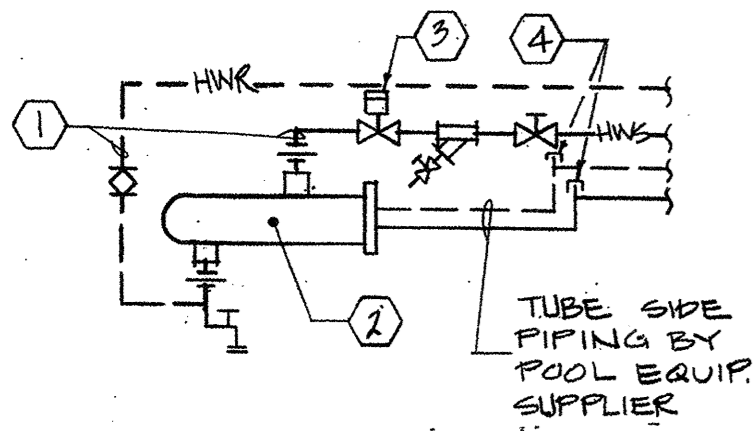
SEAL OF KENTUCKY
TAGGART
FOSTER
6520
PROFESSIONAL

SEAL OF KENTUCKY
JOHN CARTER
4571
PROFESSIONAL

JOHNSON / ROMANOWITZ ARCHITECTS / LEXINGTON / KENTUCKY
301 EAST VINE STREET, SUITE A
TELEPHONE (606) 252-6781

DRAWN	PROJECT
CHECKED A.T.F.	DATE 5-10-83
HVAC	
DETAILS & LEGENDS	
DRAWING	
H-1	

REVISED 7-5-83

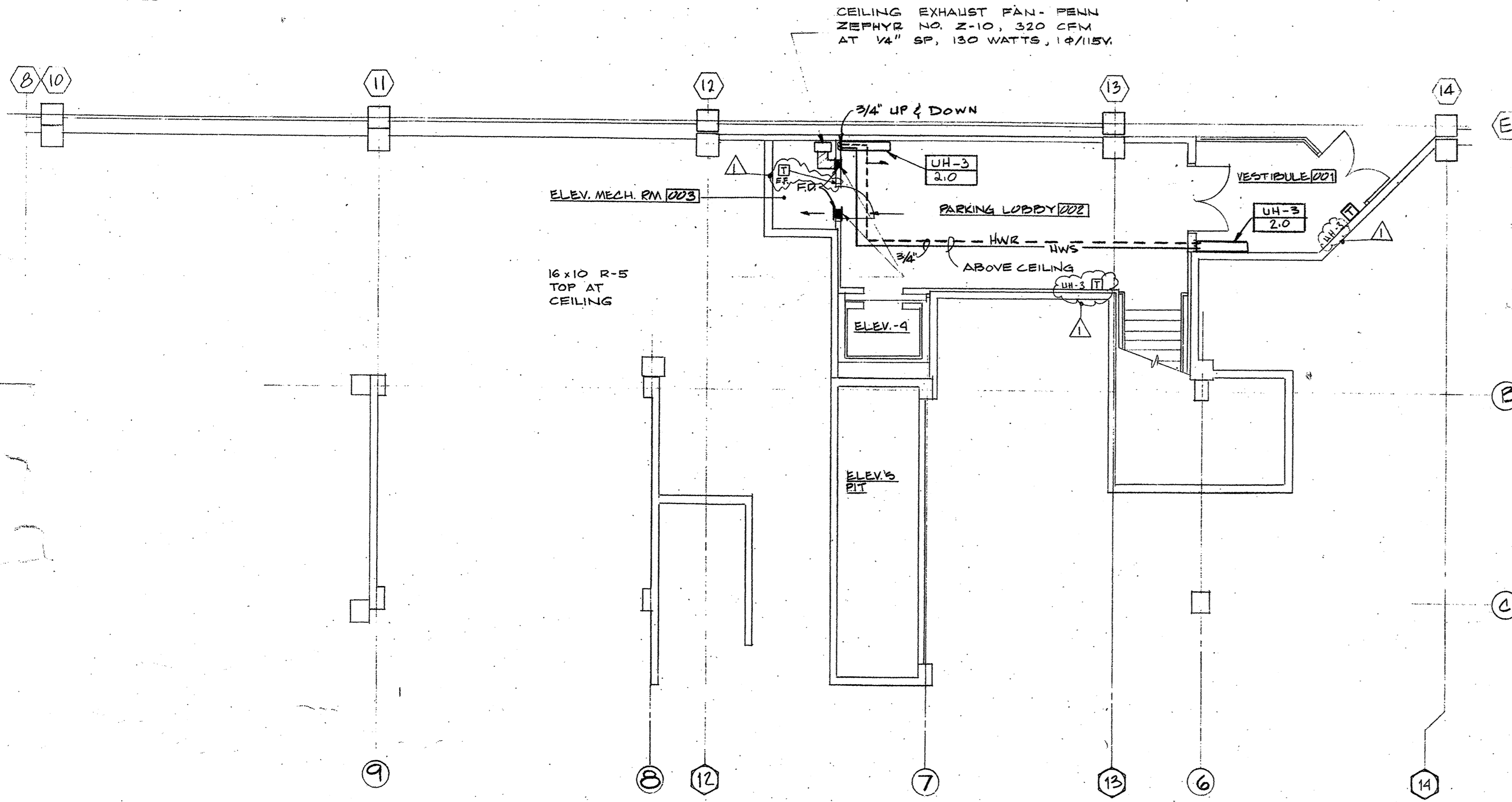


- ① 1 1/4" for swimming pool heat exchanger, 1" for whirlpool heat exchanger.
- ② Heat exchanger provided by pool supplier. Verify exact location in room with pool equipment supplier.
- ③ 2-way control valve - Barber-Colman VB-9253, size 4" (CV = 6.2) for whirlpool exchanger, size 1" (CV = .0) for swimming pool heat exchanger.
- ④ Thermometer wells for temperature control elements. Furnish to pool equipment supplier for installation.

Temperature Control Sequence

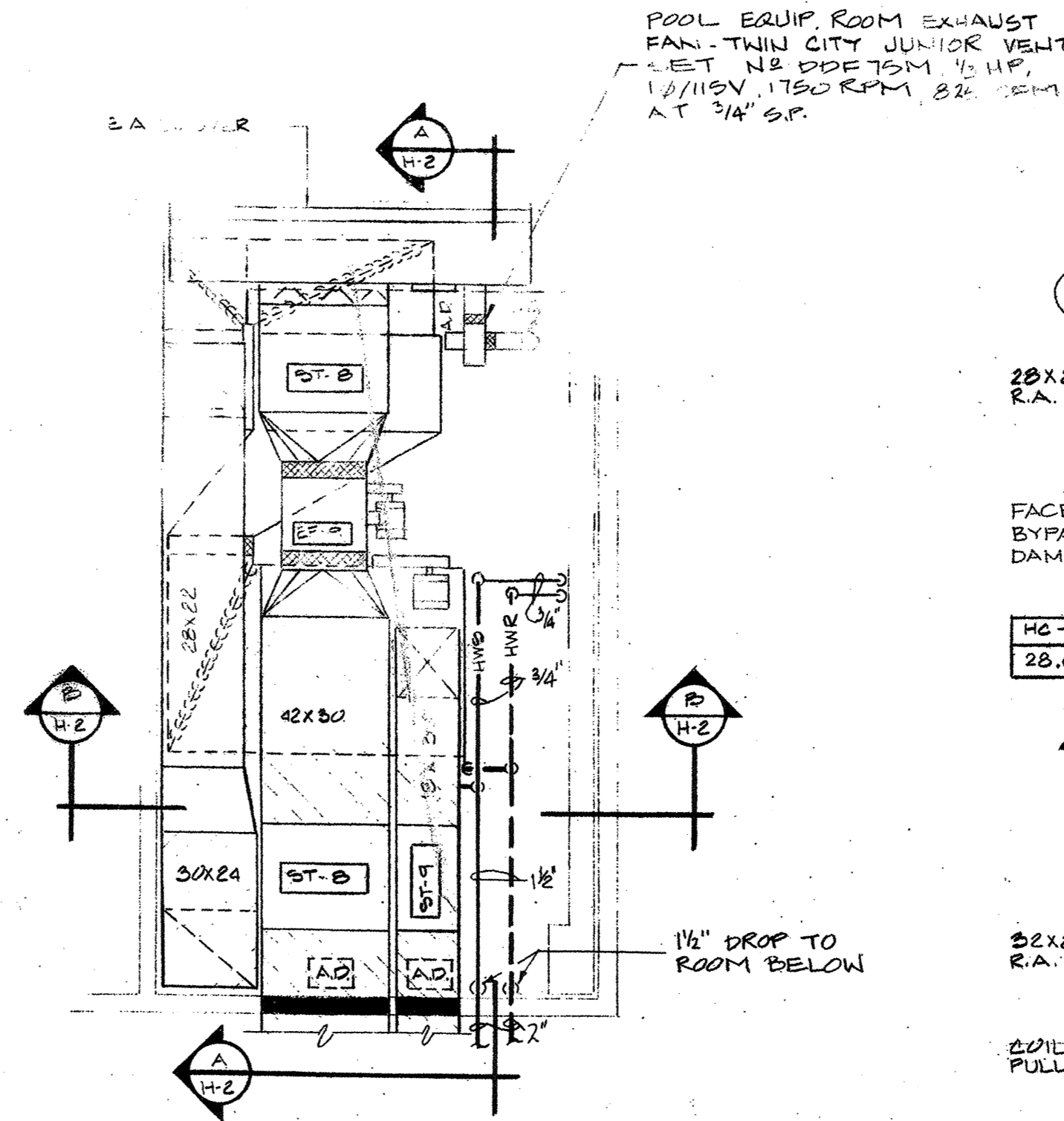
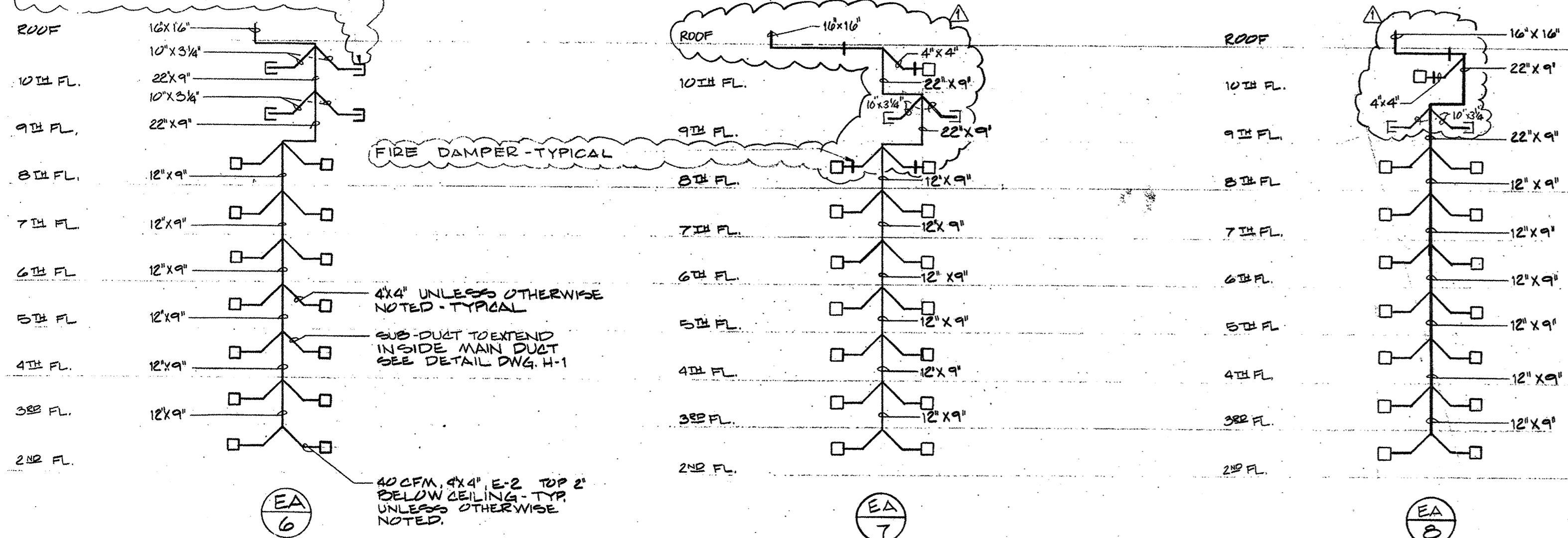
Control valve modulates hot water flow to control a constant pool return water temperature (80°F swimming pool, 95°F whirlpool, adjustable). A high limit stat in the supply water overrides control if required to prevent supply water temperature from exceeding setpoint (95°F swimming pool, 107°F whirlpool, adjustable).

SWIMMING POOL AND WHIRLPOOL HEAT EXCHANGER PIPING DIAGRAM
NO SCALE

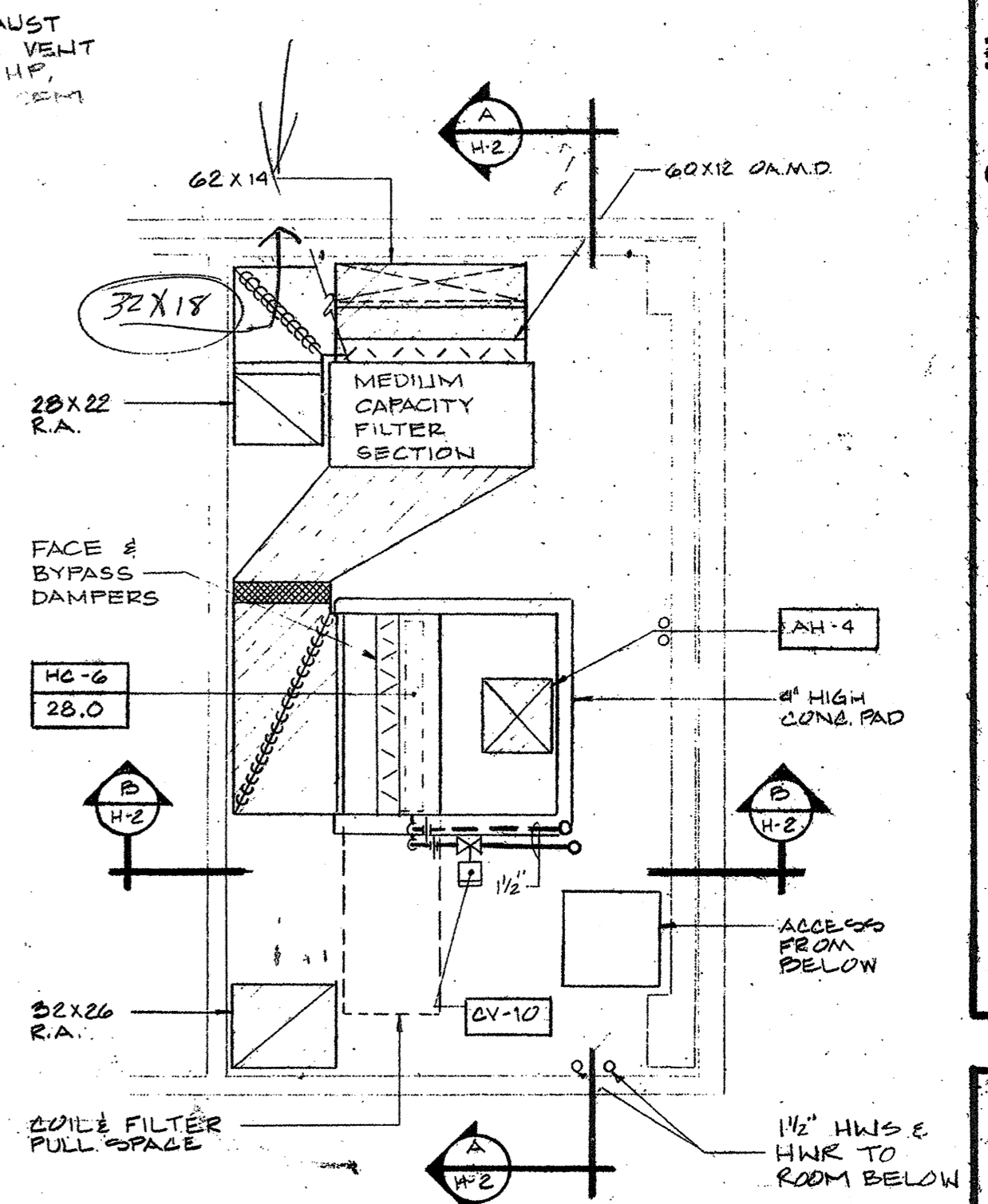


PARTIAL HEATING, VENTILATING & AIR CONDITIONING PLAN - BASEMENT/PARKING LEVEL
SCALE: 1/8" = 1'-0"

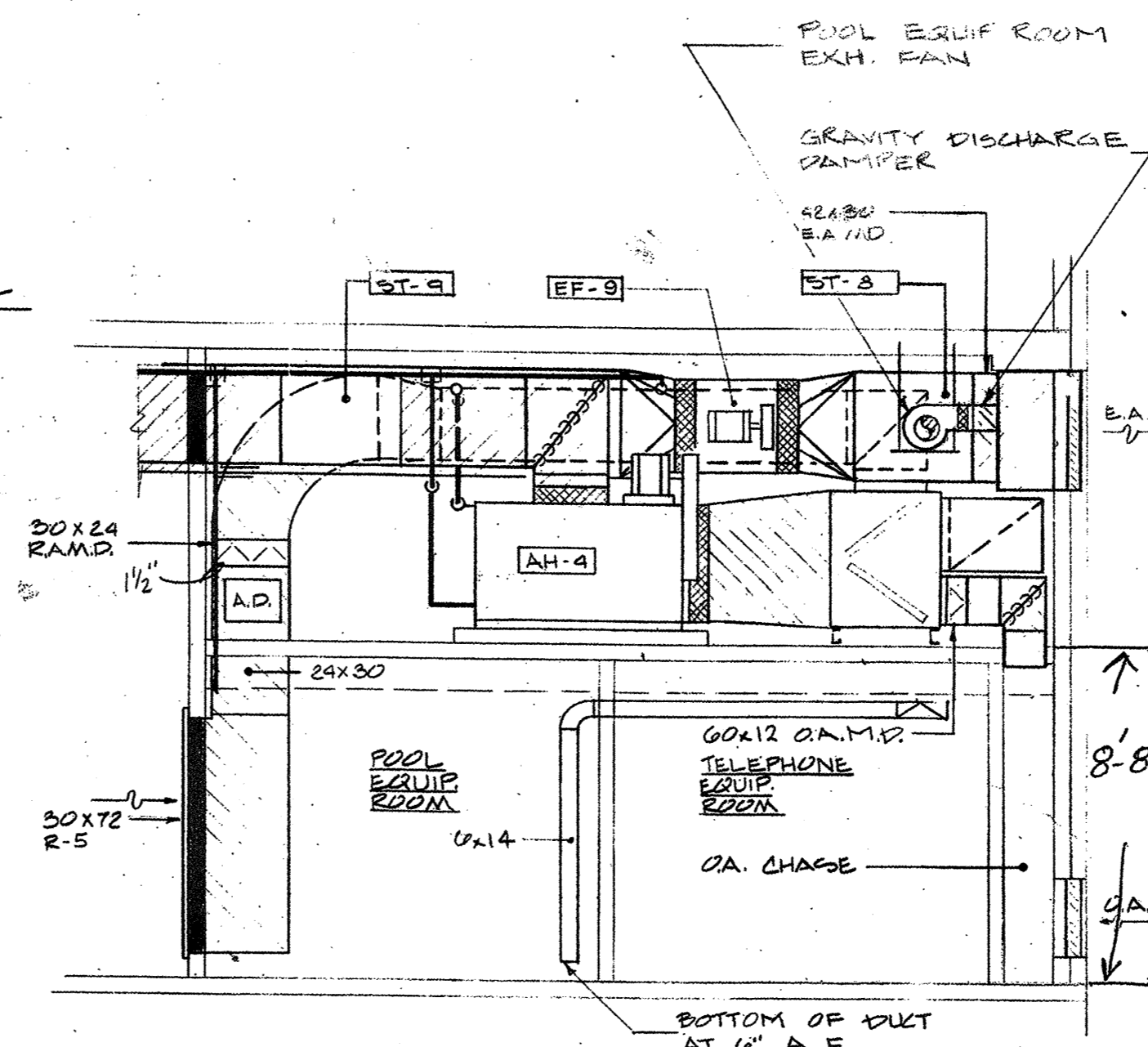
CAP OFF BRANCH DUCT FOR FUTURE CONDO SPACE - TYPICAL - BOTTOM OF DUCT AT 8'-3" A.F.



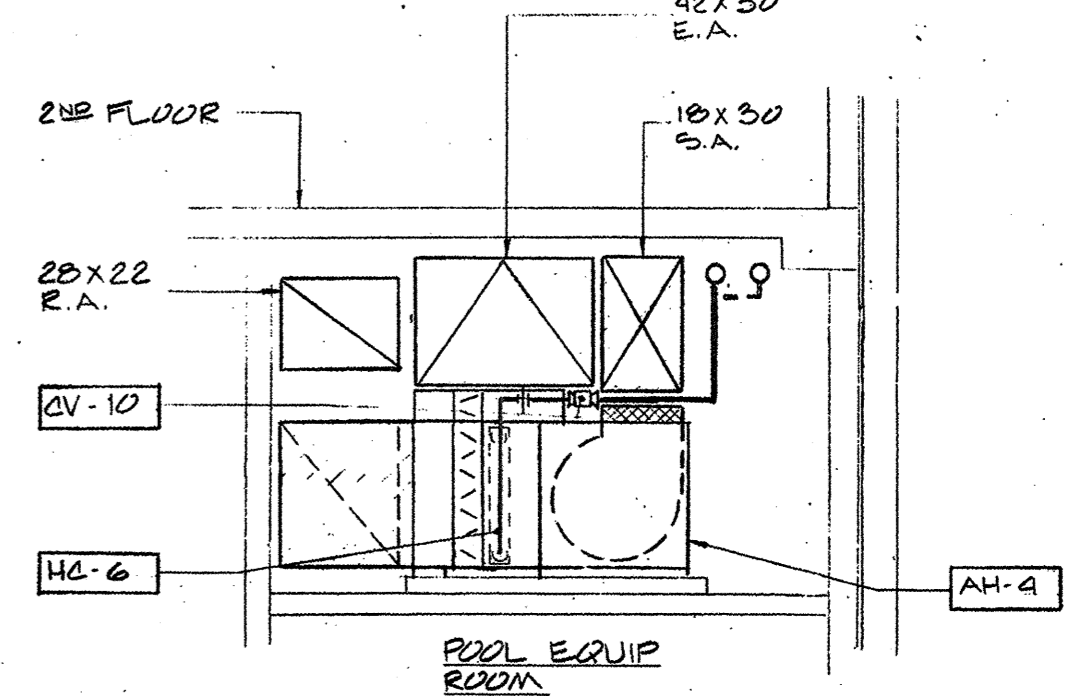
ENLARGED PLAN - SWIMMING POOL FAN ROOM - UPPER PORTION OF ROOM
SCALE: 1/4" = 1'-0"



ENLARGED PLAN - SWIMMING POOL FAN ROOM - LOWER PORTION OF ROOM
SCALE: 1/4" = 1'-0"

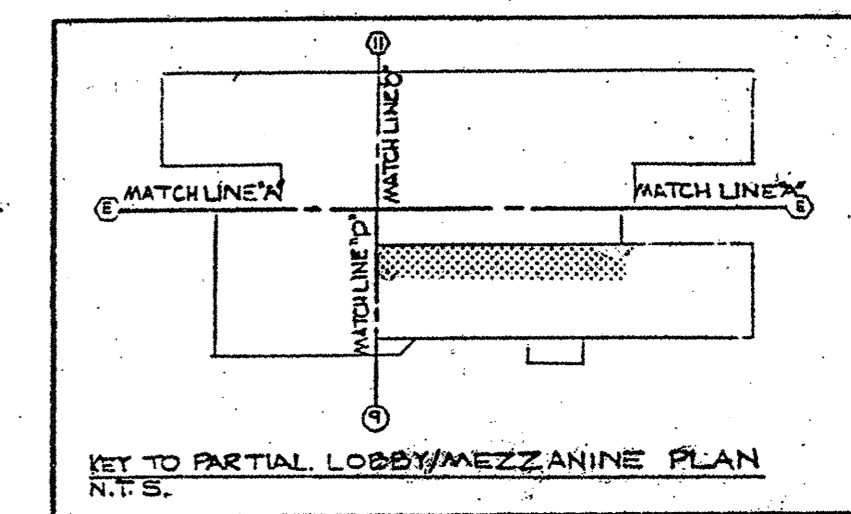
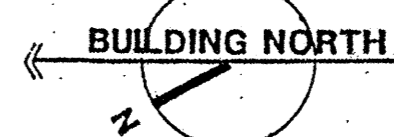


SECTION A-A
SCALE: 1/4" = 1'-0"



SECTION B-B
SCALE: 1/4" = 1'-0"

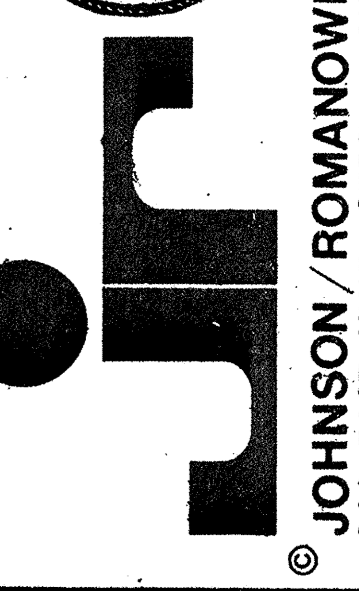
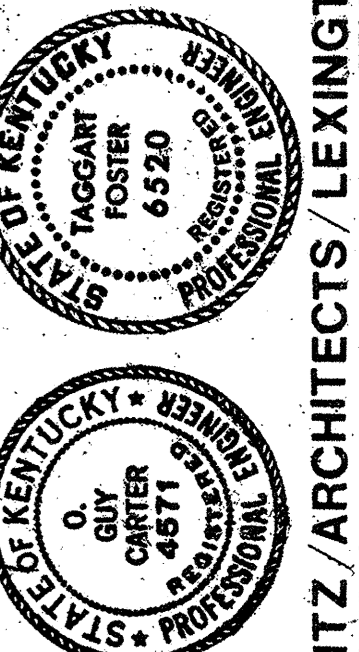
REVISIONS	
Δ	8-2-83
GENERAL REVISION	



Consulting Engineers
3257 Lochness Drive
Lexington, Kentucky

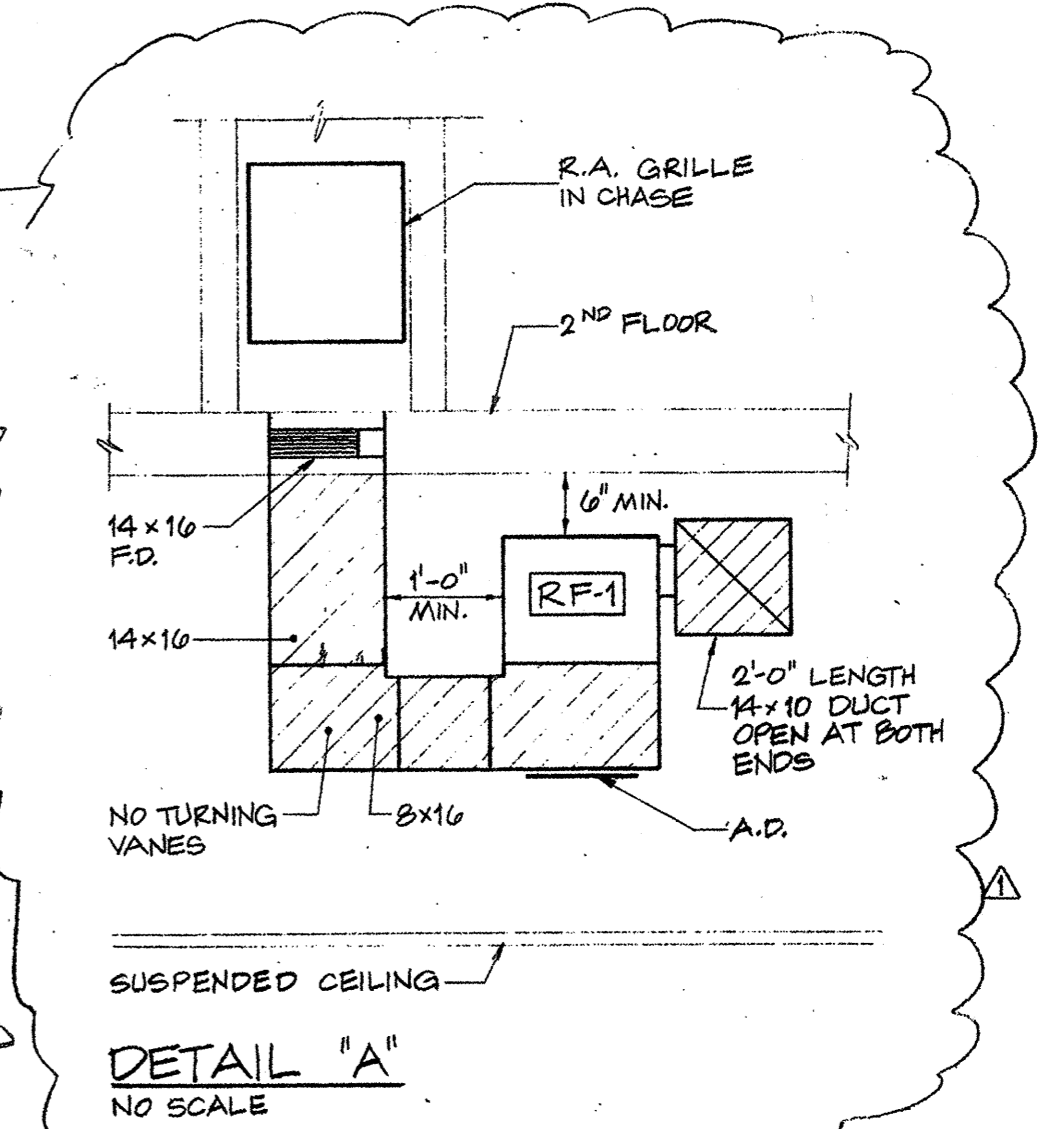
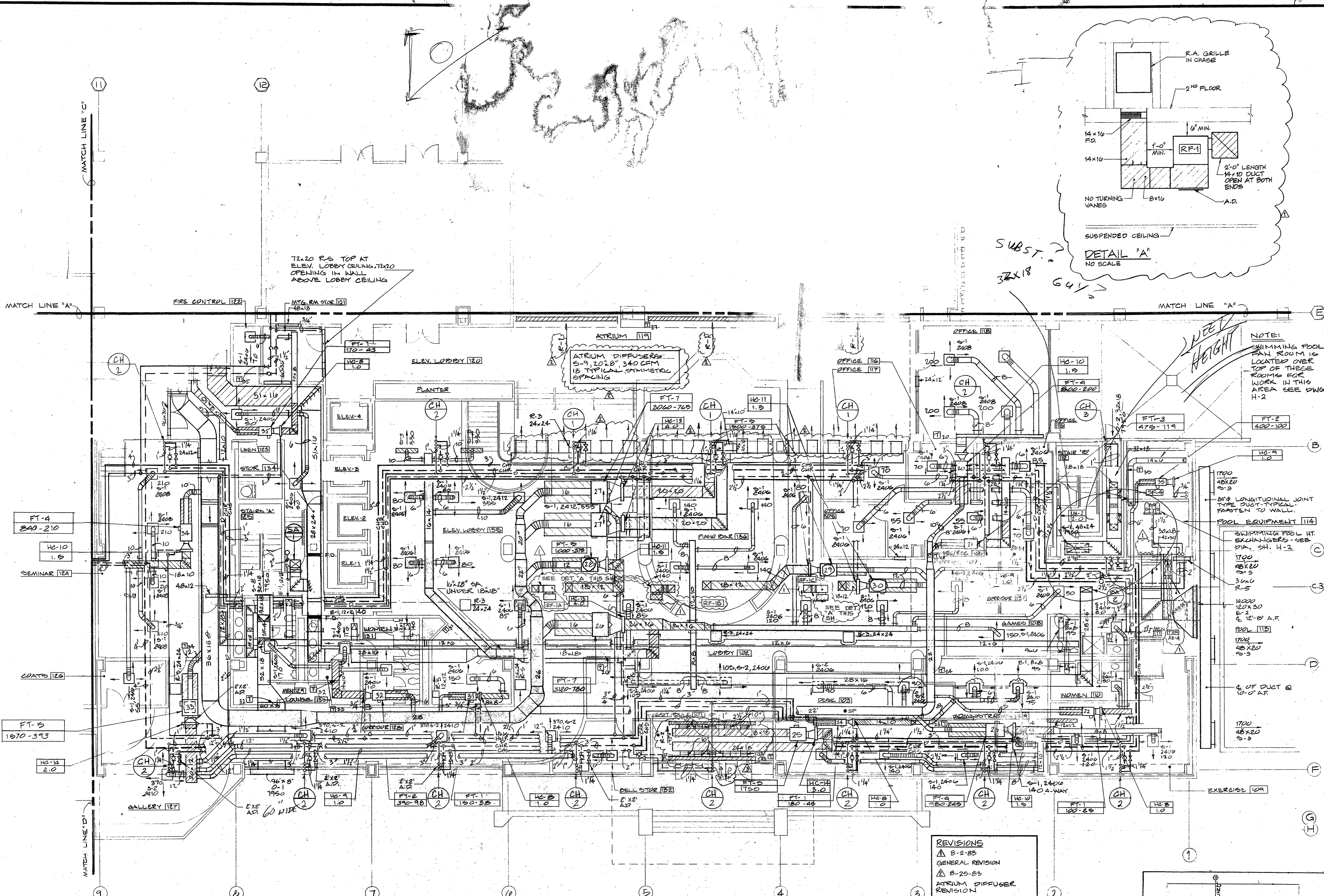
CARTER - FOSTER INC.

CAPITOL PLAZA HOTEL
FRANKFORT / KENTUCKY



JOHNSON/ROMANOWITZ/ARCHITECTS/LEXINGTON/KENTUCKY
301 EAST VINE STREET, SUITE A
LEXINGTON, KY 40501
TELEPHONE (606) 252-6781

DRAWN L.F.M.	PROJECT
CHECKED A.T.F.	DATE 5-10-83
HVAC	
PARTIAL HEATING, VENTILATING & AIR CONDITIONING PLAN - BASEMENT/PARKING LEVEL	
REVISED 8-2-83	
DRAWING	
H-2	



Consulting Engineers
3257 Lochness Drive
Lexington, Kentucky

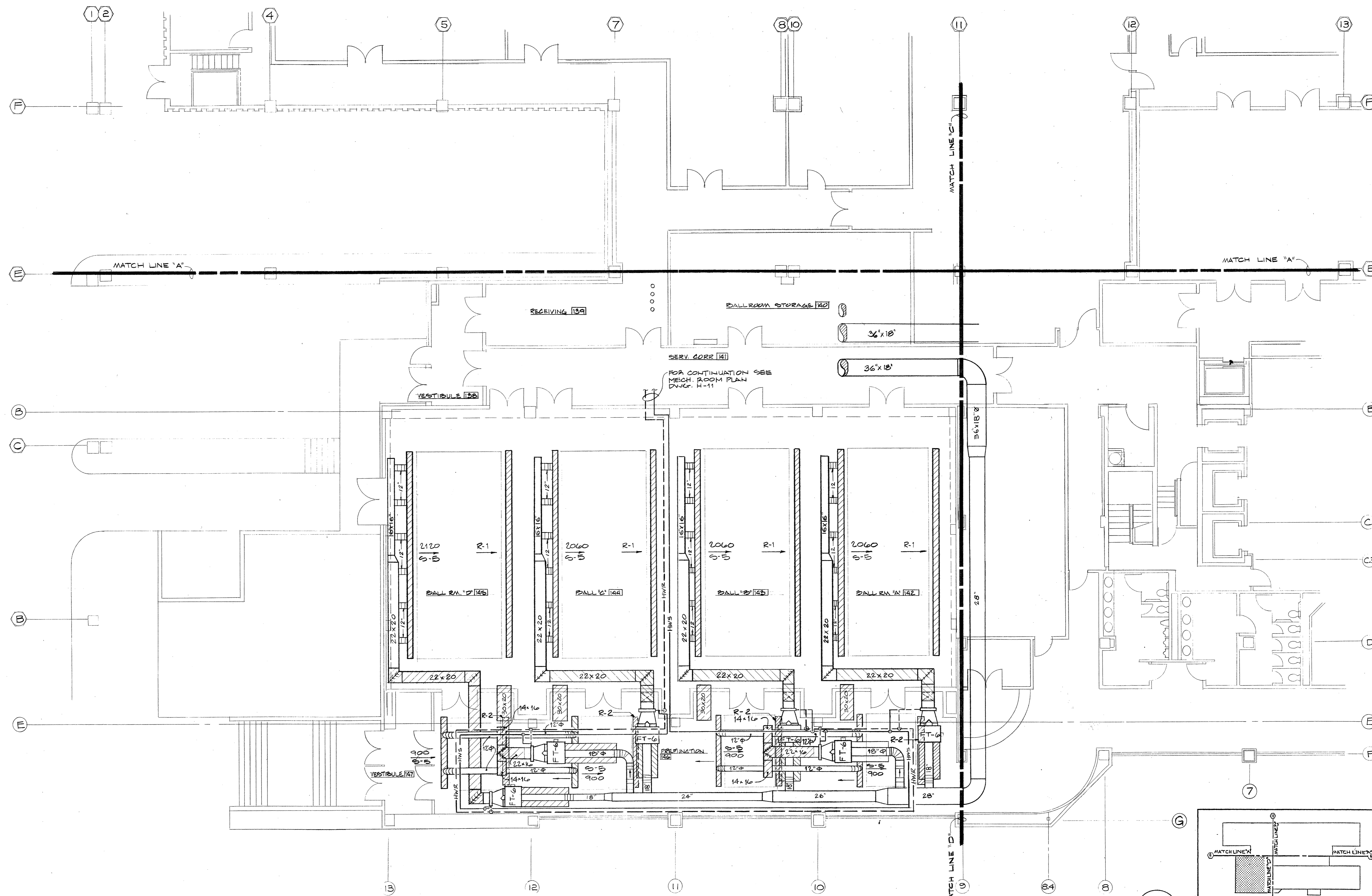
CARTER - FOSTER INC.

CAPITOL PLAZA HOTEL
FRANKFORT / KENTUCKY

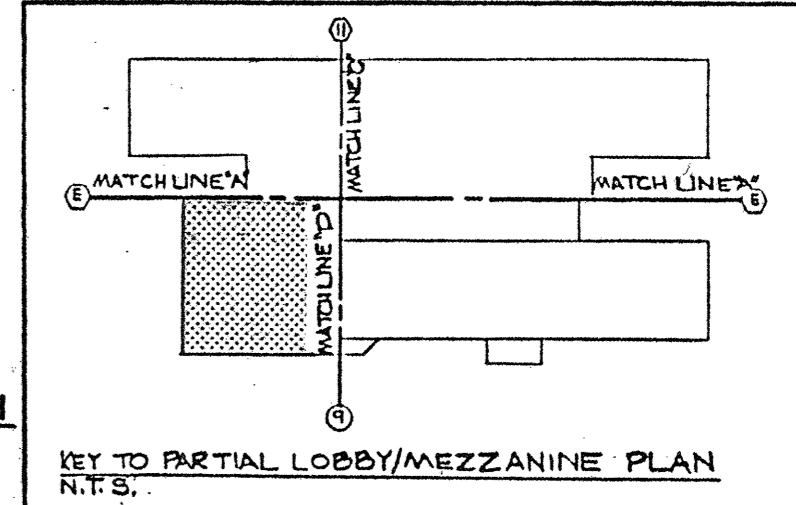
JOHNSON / ROMANOWITZ / ARCHITECTS / LEXINGTON / KENTUCKY

DRAWN DGM.	PROJECT
CHECKED A.T.F.	DATE 5-10-83
HVAC	
PARTIAL HEATING, VENTILATING, AND AIR CONDITIONING PLAN- LOBBY/MEZZANINE LEVEL	
REVISED 8-2-83	
DRAWING	
H-3	

ISSUE D 9-20-83



PARTIAL HEATING, VENTILATION AND AIR CONDITIONING PLAN - LOBBY/MEZZANINE LEVEL
 SCALE: 1/8" = 1'-0"

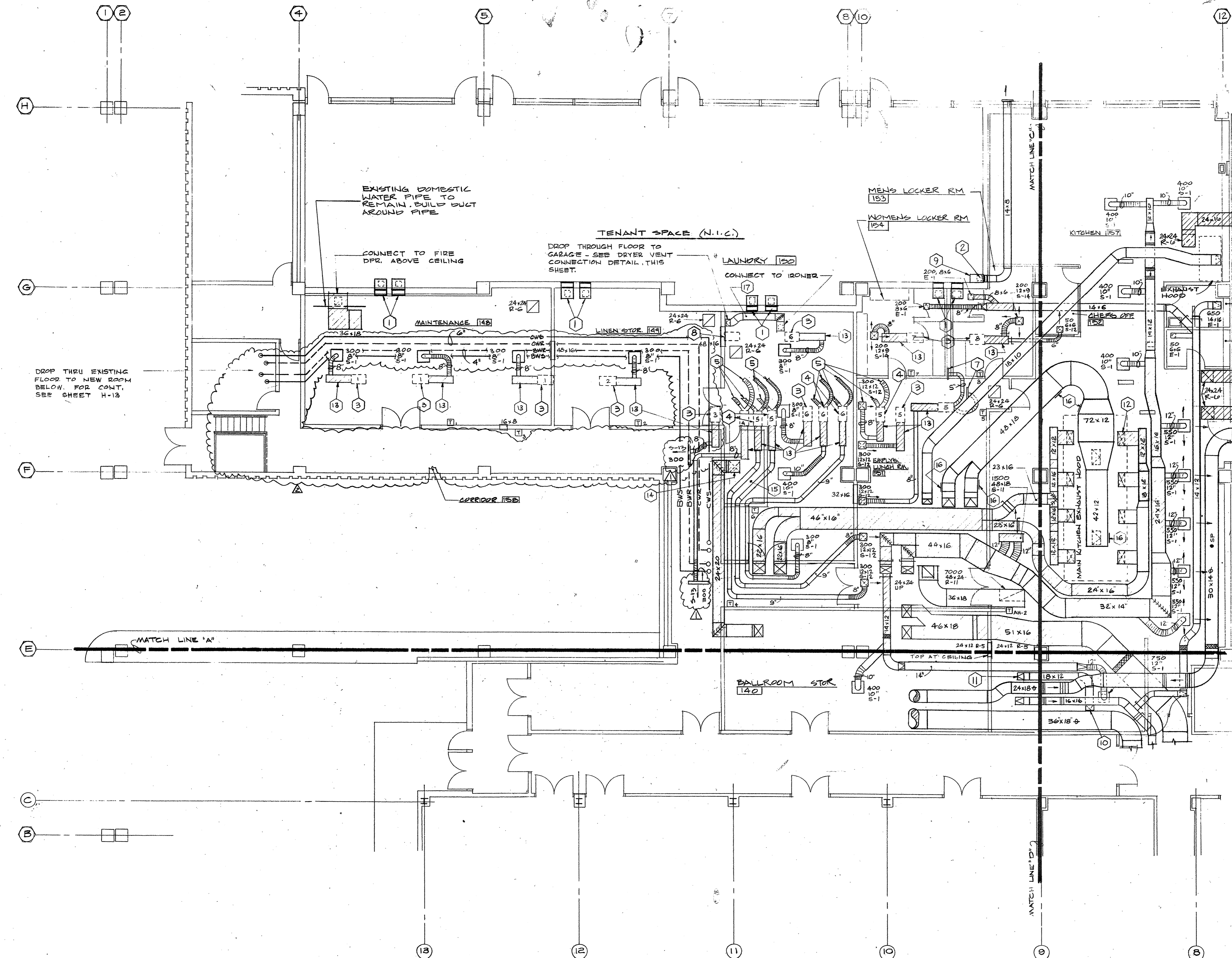


CARTER - FOSTER INC.
 Consulting Engineers
 3257 Lochness Drive
 Lexington, Kentucky

CAPITOL PLAZA HOTEL
 FRANKFORT / KENTUCKY

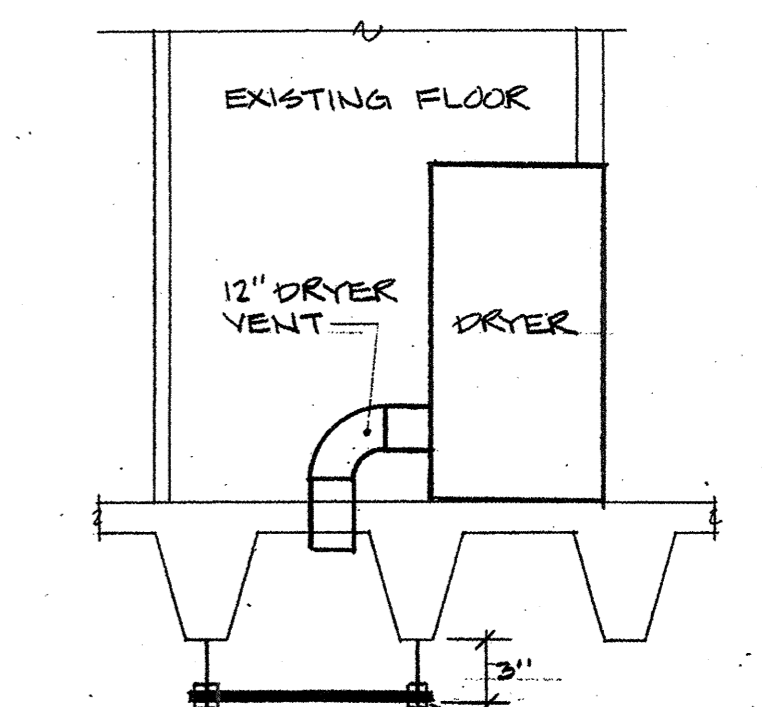
JOHNSON / ROMANOWITZ / ARCHITECTS / LEXINGTON / KENTUCKY

DRAWN G.A.L.	PROJECT
CHECKED A.T.F.	DATE 5-10-83
HVAC	
PARTIAL HEATING, VENTILATION AND AIR CONDITIONING PLAN - LOBBY/ MEZZANINE LEVEL	
DRAWING	
H-4	



- KEYED NOTES**
- INSTALL NEW FIRE DAMPERS (IN 3 HR. RATED WALL) IN EXISTING HIGH PRESSURE OVAL DUCTWORK & INSTALL NEW FIRE DAMPER ACCESS SECTIONS
 - INSTALL NEW FIRE DAMPERS (IN 3 HR. RATED WALL) IN EXISTING LOW PRESSURE EXHAUST DUCT
 - EXISTING MIXING BOX TO REMAIN IN PLACE. REMOVE EXISTING LOW PRESSURE DOWNSTREAM DUCTWORK.
 - EXISTING MIXING BOX REUSED (NEW LOCATION)
 - MAKE NEW 45° SADDLE TAP CONNECTION TO EXISTING HIGH PRESSURE OVAL DUCT, SIZE 5" UNLESS OTHERWISE NOTED.
 - EXISTING MIXING BOX MB-2 (SIZE 6") REUSED FROM SECTOR B-5.
 - SEAL OFF ENDS OF EXISTING HIGH PRESSURE OVAL DUCTWORK HERE. REMOVE ALL EXISTING HIGH & LOW PRESSURE SUPPLY DUCTWORK DOWNSTREAM OF THESE POINTS.
 - RELOCATE EXISTING MIXING BOX, SEAL OFF BRANCH DUCT CONNECTIONS TO MAIN DUCTS.
 - CONNECT TO EXISTING EXHAUST DUCT HERE. REMOVE ALL EXISTING DUCTWORK TO THE RIGHT OF THIS POINT.
 - 18x12 DROP TO BELOW CEILING, CONNECT THE TWO 16" EXHAUST DUCTS FROM DISH WASHER HERE.
 - DISHWASHER EXHAUST DUCT SYSTEM (ALUMINUM DUCTWORK ABOVE CEILING, STAINLESS STEEL DUCT BELOW CEILING)
 - MAKE UP AIR CONNECTION TO HOOD - SAME SIZE AS HOOD CONNECTION SIZE. PROVIDE ACCESS DOOR FOR ACCESS TO FD. IF NOT PROVIDED BY HOOD MFR. - TYPICAL
 - 4'-0" MINIMUM LENGTH LINED DUCT. MINIMUM CROSS-SECTIONAL AREA OF DUCT SHALL BE EQUAL TO OR GREATER THAN AREA OF MIXING BOX DISCHARGE CONNECTION.
 - DROP THRU CEILING & TERMINATE WITH 1/2" MESH SCREEN.
 - EXTEND DRYER VENT THRU FLOOR & DISCHARGE INTO GARAGE BELOW - TYPICAL FOR 3 - SEE DETAIL THIS SH.
 - 16" x 10" ACCESS DOOR IN SIDE OF DUCT IN ACCORDANCE WITH N.F.P.A. 96
 - 16" x 8" IRONER VENT DUCT EXPOSED AT CEILING

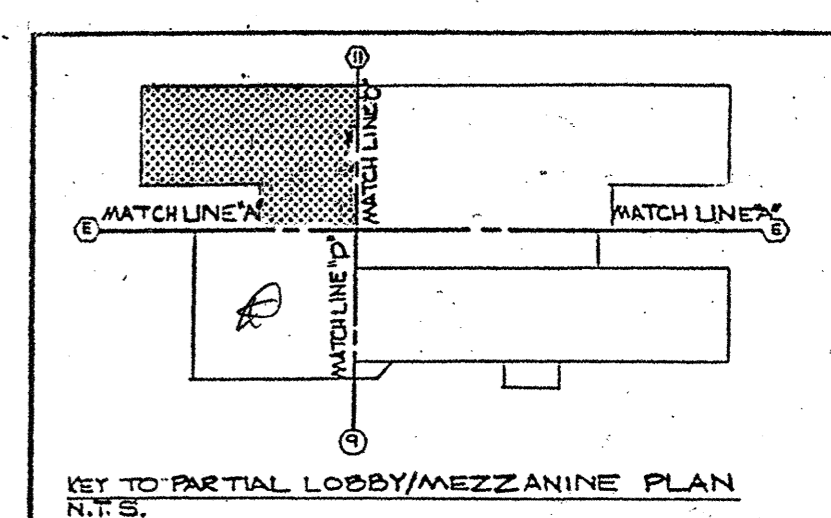
NOTE: TERMINATE VENT FROM IRONER IN A SIMILAR MANNER.



20 GAUGE SHEET METAL PLATE, SECURE TO STRUCT. WITH THREADED BOLTS.

DETAIL OF DRYER VENT CONNECTION
NO SCALE

REVISIONS
 ▲ 8-25-83
 DIFF. REVISION
 ▲ 10-4-83
 RECORDED ON 6 ON LINES

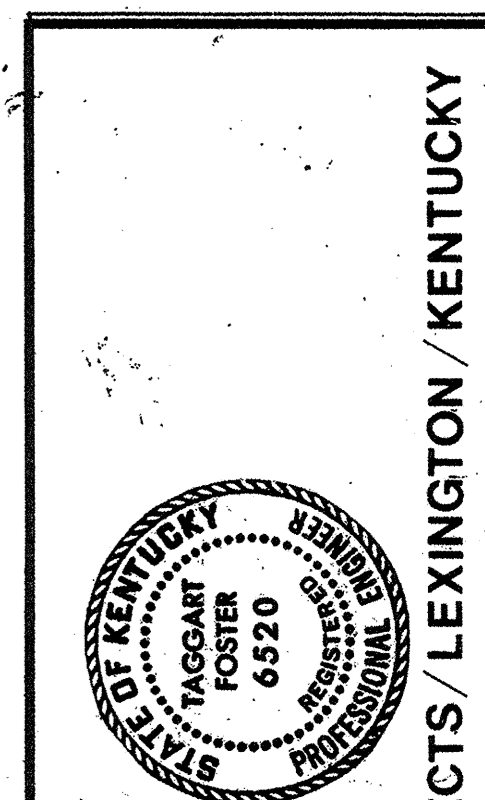


PARTIAL HEATING, VENTILATION, AND AIR CONDITIONING PLAN - LOBBY/MEZZANINE LEVEL
SCALE: 1/8" = 1'-0"

Consulting Engineers
3257 Lochness Drive
Lexington, Kentucky

CARTER - FOSTER INC.

CAPITOL PLAZA HOTEL
FRANKFORT / KENTUCKY



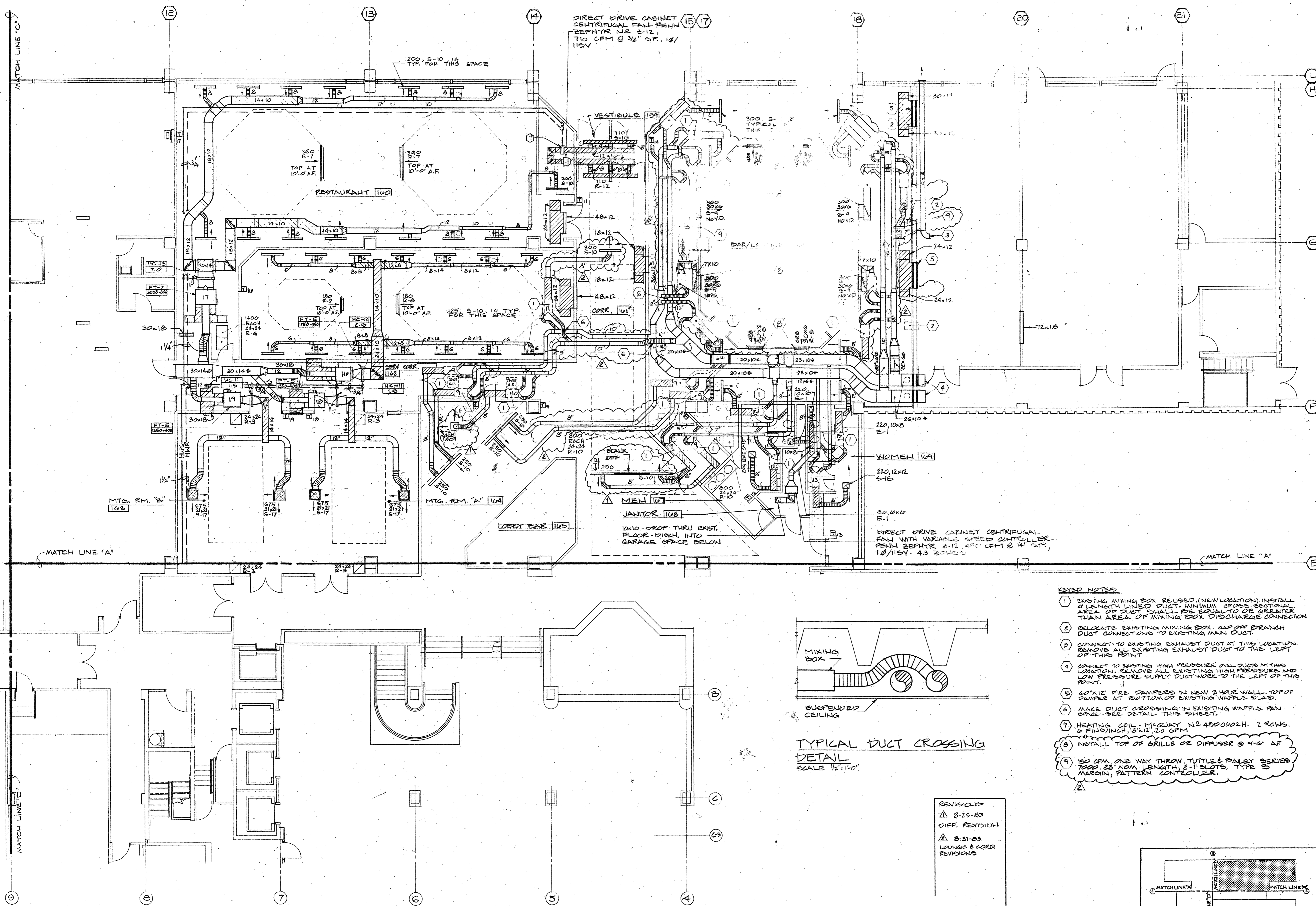
DRAWN DGM	PROJECT
CHECKED A.T.F.	DATE 5-10-83

HVAC
PARTIAL HEATING, VENTILATION AND AIR CONDITIONING PLAN - LOBBY/MEZZANINE LEVEL

DRAWING
H-5

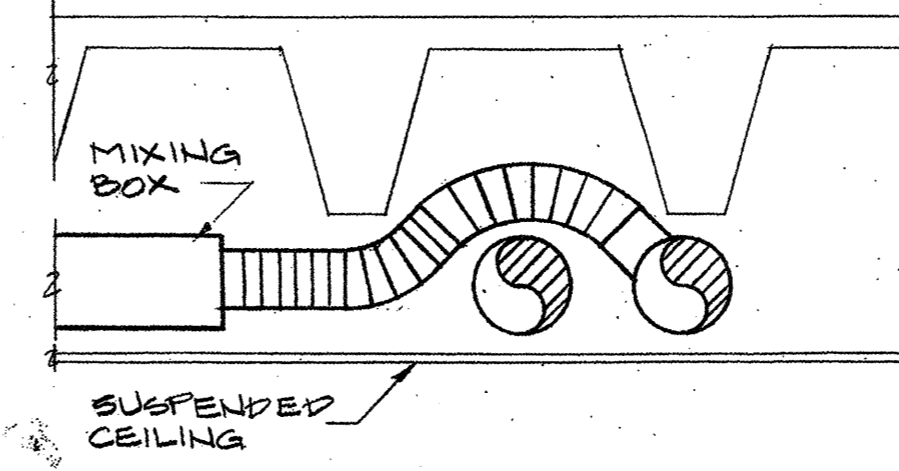
REISSUED 10-4-83

RECEIVED OCT 7 1983



DIRECT DRIVE CABINET CENTRIFUGAL FAN PENN ZEPHYR N# 2-12, 710 CFM @ 1/8" S.P. 115V

10x10 - DROP THRU EXIST FLOOR - DISCH. INTO GARAGE SPACE BELOW

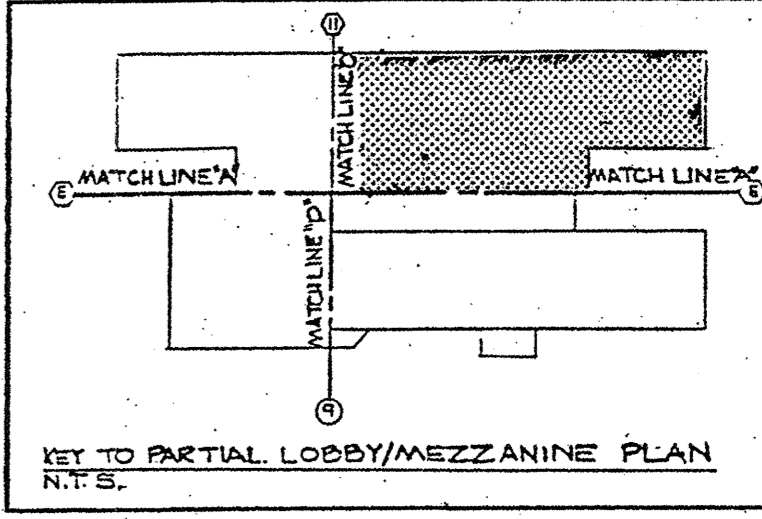
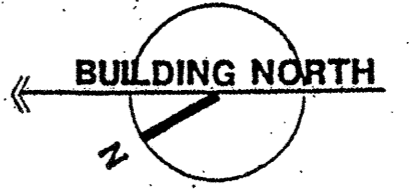


TYPICAL DUCT CROSSING DETAIL
SCALE 1/2"=1'-0"

KEYED NOTES

- 1 EXISTING MIXING BOX REUSED (NEW LOCATION). INSTALL 4' LENGTH LINED DUCT. MINIMUM 2000'S. SECTIONAL AREA OF DUCT SHALL BE EQUAL TO OR GREATER THAN AREA OF MIXING BOX DISCHARGE CONNECTION
- 2 RELOCATE EXISTING MIXING BOX. CAP OFF BRANCH DUCT CONNECTIONS TO EXISTING MAIN DUCT.
- 3 CONNECT TO EXISTING EXHAUST DUCT AT THIS LOCATION. REMOVE ALL EXISTING EXHAUST DUCT TO THE LEFT OF THIS POINT.
- 4 CONNECT TO EXISTING HIGH PRESSURE DUAL DUCTS AT THIS LOCATION. REMOVE ALL EXISTING HIGH PRESSURE AND LOW PRESSURE SUPPLY DUCT WORK TO THE LEFT OF THIS POINT.
- 5 60"x12" FIRE DAMPERS IN NEW 3 HOUR WALL. TOP OF DAMPER AT BOTTOM OF EXISTING WAFFLE SLAB.
- 6 MAKE DUCT CROSSING IN EXISTING WAFFLE PAN SPACE - SEE DETAIL THIS SHEET.
- 7 HEATING COIL - MCGUAY N# 4BPO002H. 2 ROWS. 0 FINS/INCH, 18"x12", 20 GPM
- 8 INSTALL TOP OF GRILLE OR DIFFUSER @ 9'-6" AF
- 9 150 OFAN ONE WAY THROW TUTTLE & PALEY SERIES TOPOD 25" NOM. LENGTH 2" SLOTS, TYPE B MARGIN, PATTERN CONTROLLER.

REVISIONS
 A 8-25-83
 DIFF. REVISION
 B 8-31-83
 LOUNGE & CORR REVISIONS

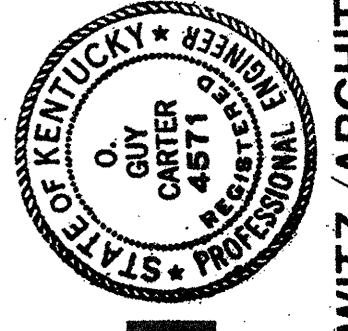
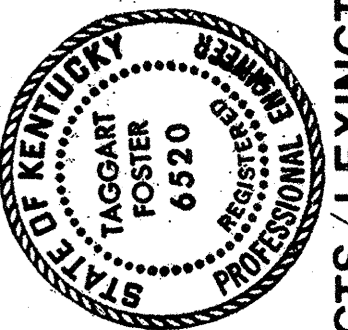


PARTIAL HEATING, VENTILATION, AND AIR CONDITIONING PLAN - LOBBY/MEZZANINE LEVEL

Consulting Engineers
 3257 Lochness Drive
 Lexington, Kentucky

CARTER - FOSTER INC.

CAPITOL PLAZA HOTEL
 FRANKFORT / KENTUCKY

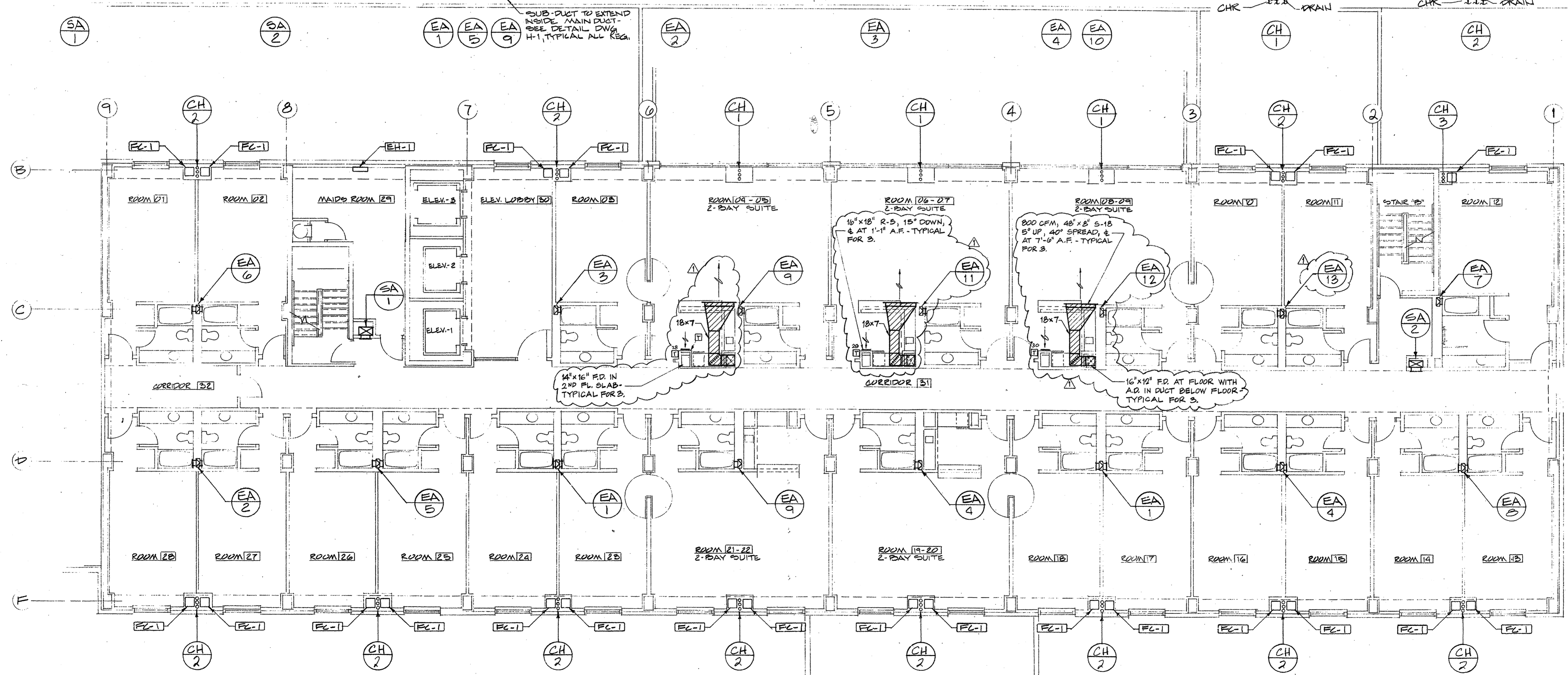
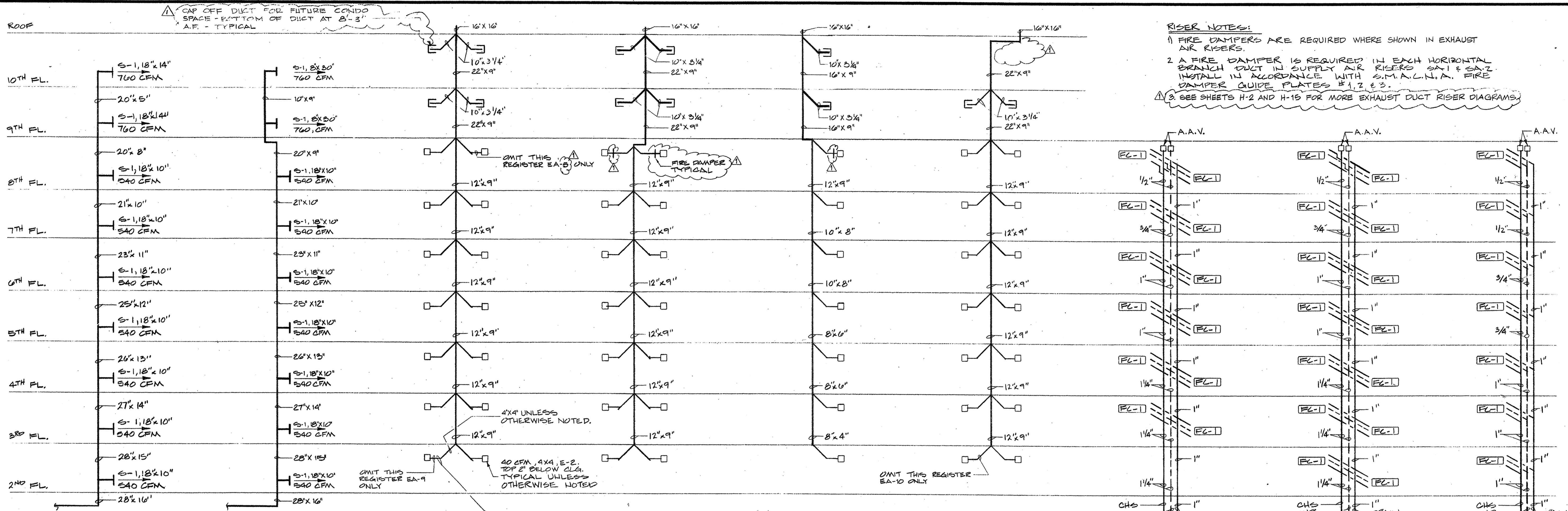


JOHNSON / ROMANOWICZ ARCHITECTS / LEXINGTON / KENTUCKY

DRAWN	PROJECT
CHECKED A.T.F.	DATE 5-10-83

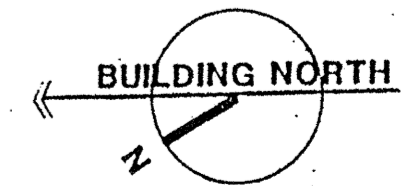
HVAC
 PARTIAL HEATING, VENTILATION, AND AIR CONDITIONING PLAN - LOBBY/MEZZANINE LEVEL

DRAWING
H-6



REVISIONS

Δ 8-2-83	GENERAL REVISION
----------	------------------



HEATING, VENTILATING, AND AIR CONDITIONING PLAN-SECOND FLOOR
 SCALE 1/8"=1'-0"

Consulting Engineers
 3257 Lochness Drive
 Lexington, Kentucky

CARTER - FOSTER INC.

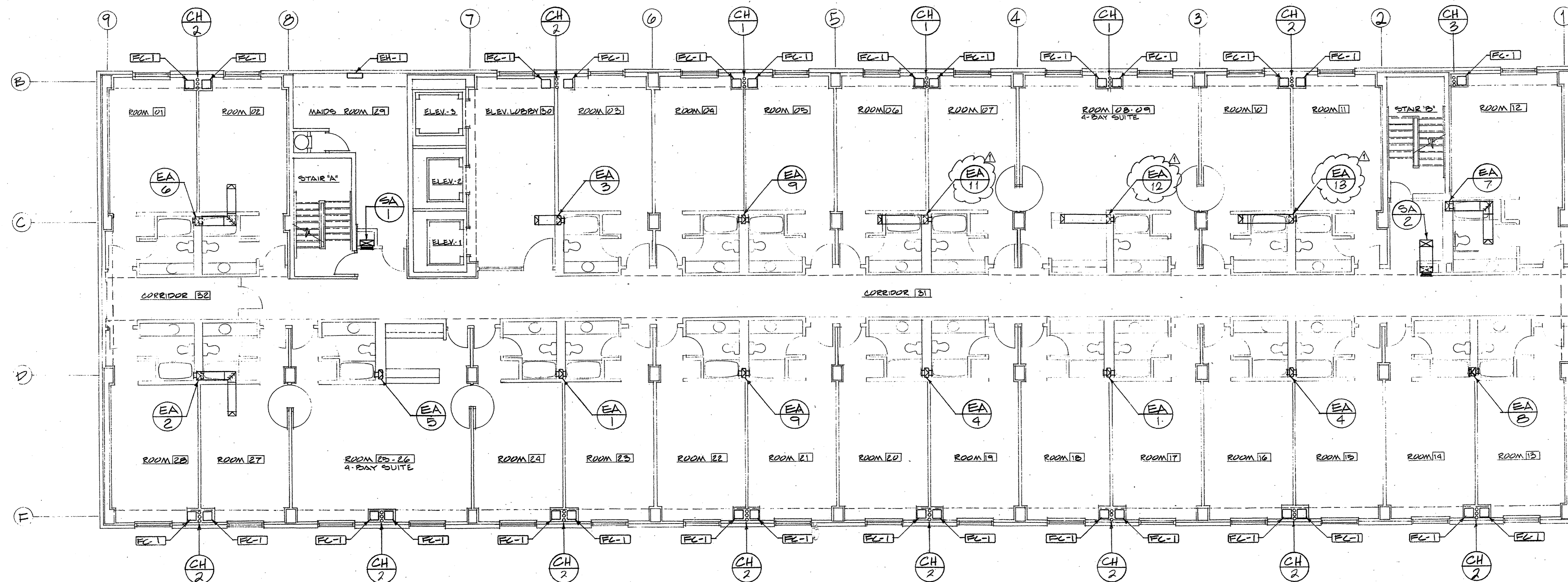
CAPITOL PLAZA HOTEL
 FRANKFORT / KENTUCKY

JOHNSON / ROMANOWITZ ARCHITECTS / LEXINGTON / KENTUCKY
 301 EAST VINE STREET, SUITE A
 TELEPHONE (606) 252-6781

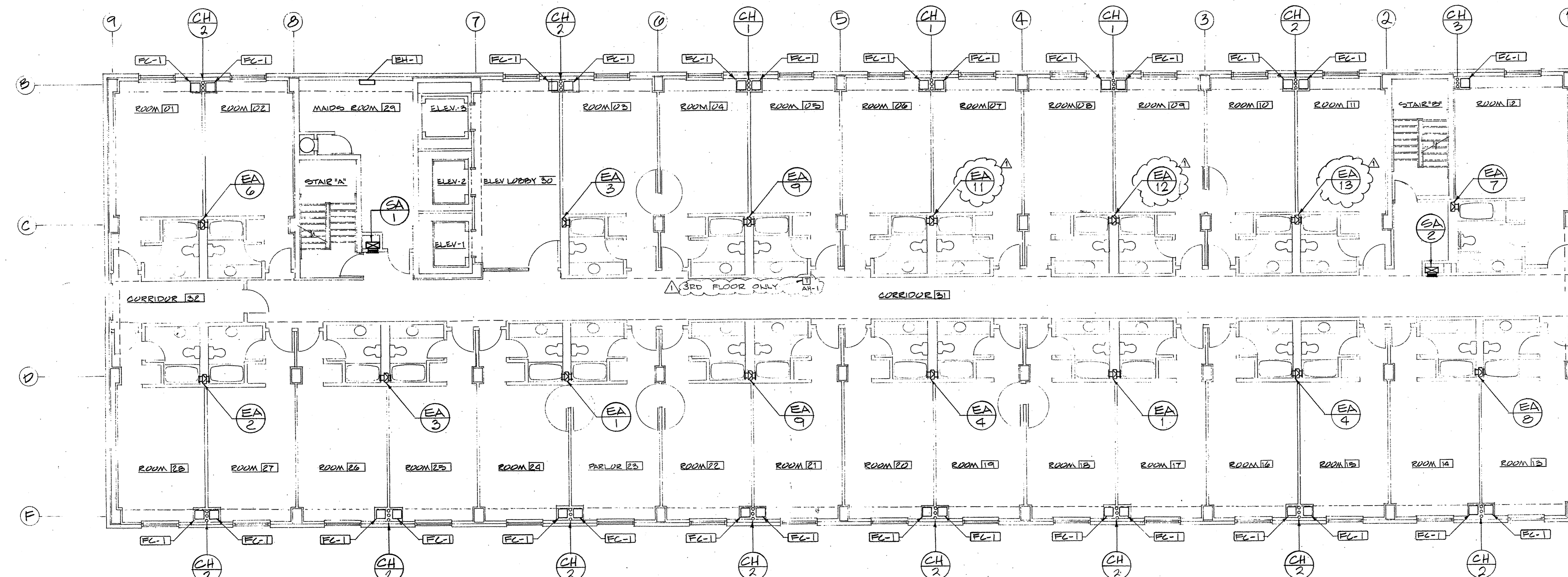
REGISTERED PROFESSIONAL ARCHITECT
 KY 0000000000

REGISTERED PROFESSIONAL MECHANICAL ENGINEER
 KY 0000000000

DRAWN G.A.C.	PROJECT
CHECKED A.T.F.	DATE 5-10-83
HVAC	
HEATING VENTILATING AND AIR CONDITIONING PLAN - SECOND FLOOR RISER DIAGRAMS	
DRAWING	
H-7	

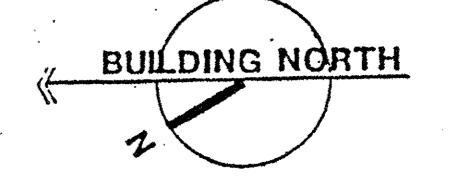


HEATING, VENTILATING, AND AIR CONDITIONING PLAN - EIGHTH FLOOR
SCALE 1/8"=1'-0"



HEATING, VENTILATING, AND AIR CONDITIONING PLAN - THIRD THRU SEVENTH FLOORS
SCALE 1/8"=1'-0"

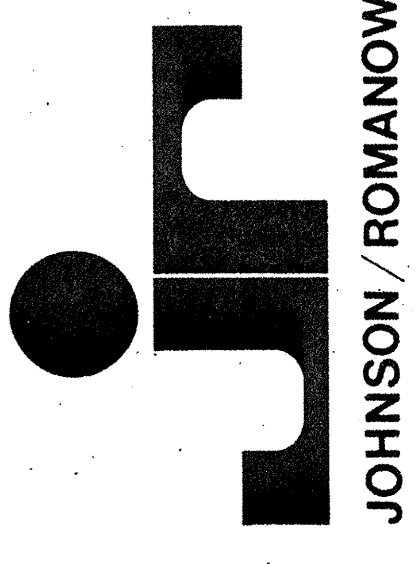
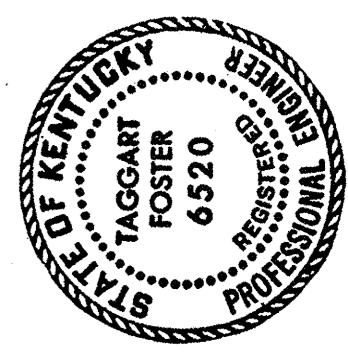
REVISIONS
 A 8-2-83
 GENERAL REVISION



Consulting Engineers
 3257 Lochness Drive
 Lexington, Kentucky

CARTER - FOSTER INC.

CAPITOL PLAZA HOTEL
 FRANKFORT / KENTUCKY



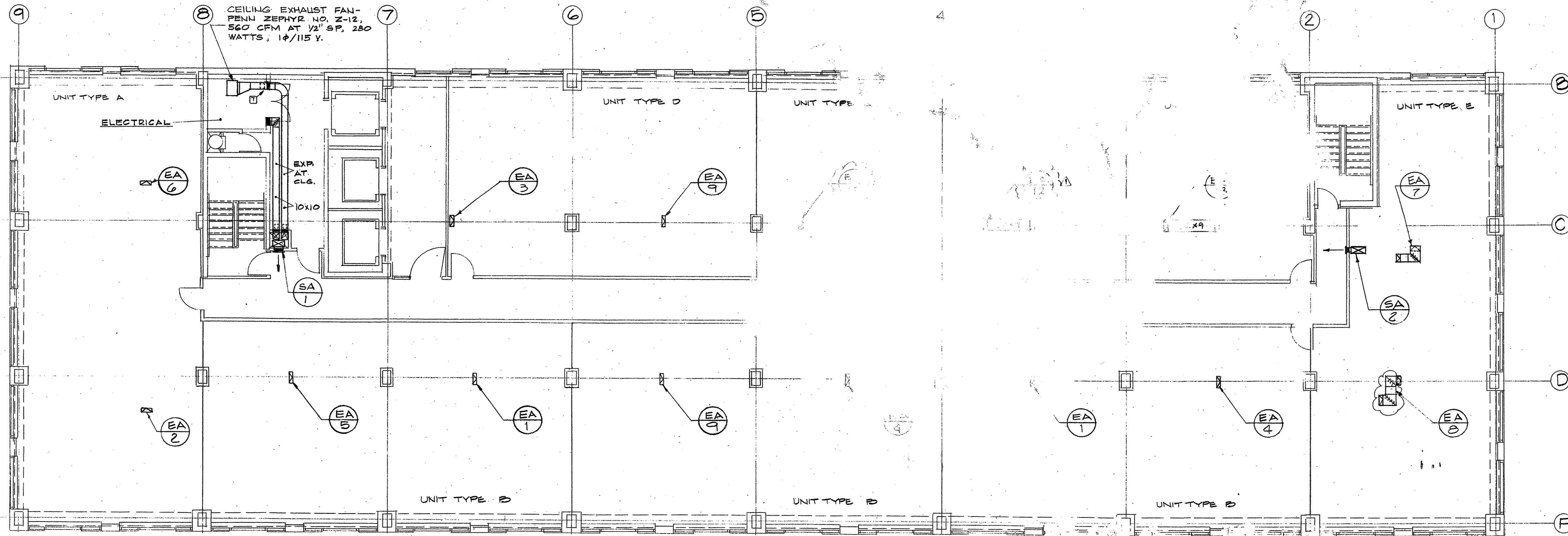
JOHNSON ROMANOWITZ ARCHITECTS / LEXINGTON / KENTUCKY

DRAWN G.G.C.	PROJECT
CHECKED A.T.F.	DATE 5-10-83

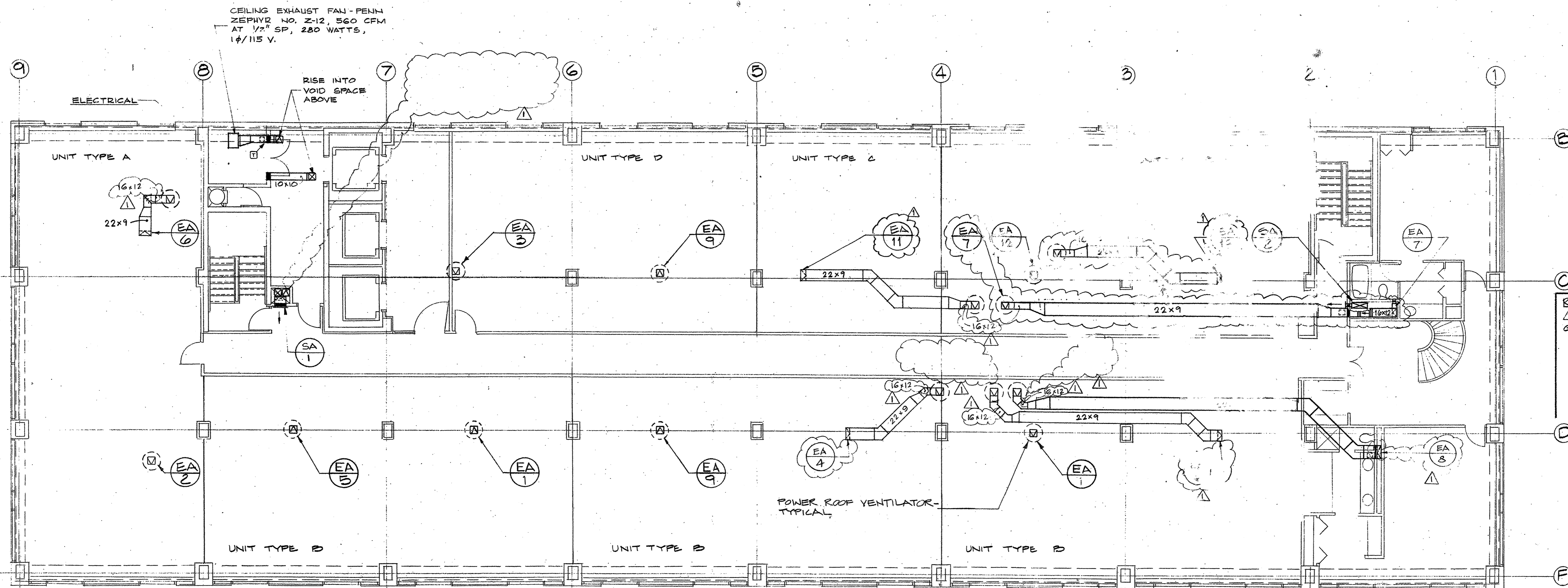
HVAC
 HEATING, VENTILATING,
 AND AIR CONDITIONING
 PLAN - THIRD THRU
 SEVENTH FLOORS, EIGHTH
 FLOOR
 REVISED 8-2-83

DRAWING
H-8

ISSUED 9-20-83



HEATING, VENTILATING & AIR CONDITIONING PLAN - 9TH FLOOR - CONDOMINIUMS
SCALE: 1/8" = 1'-0"



HEATING, VENTILATING & AIR CONDITIONING PLAN - 10TH FLOOR - CONDOMINIUMS
SCALE: 1/8" = 1'-0"

REVISIONS
 ▲ 8-2-83
 GENERAL REVISION



Consulting Engineers
 3257 Lochness Drive
 Lexington, Kentucky

CARTER - FOSTER INC.

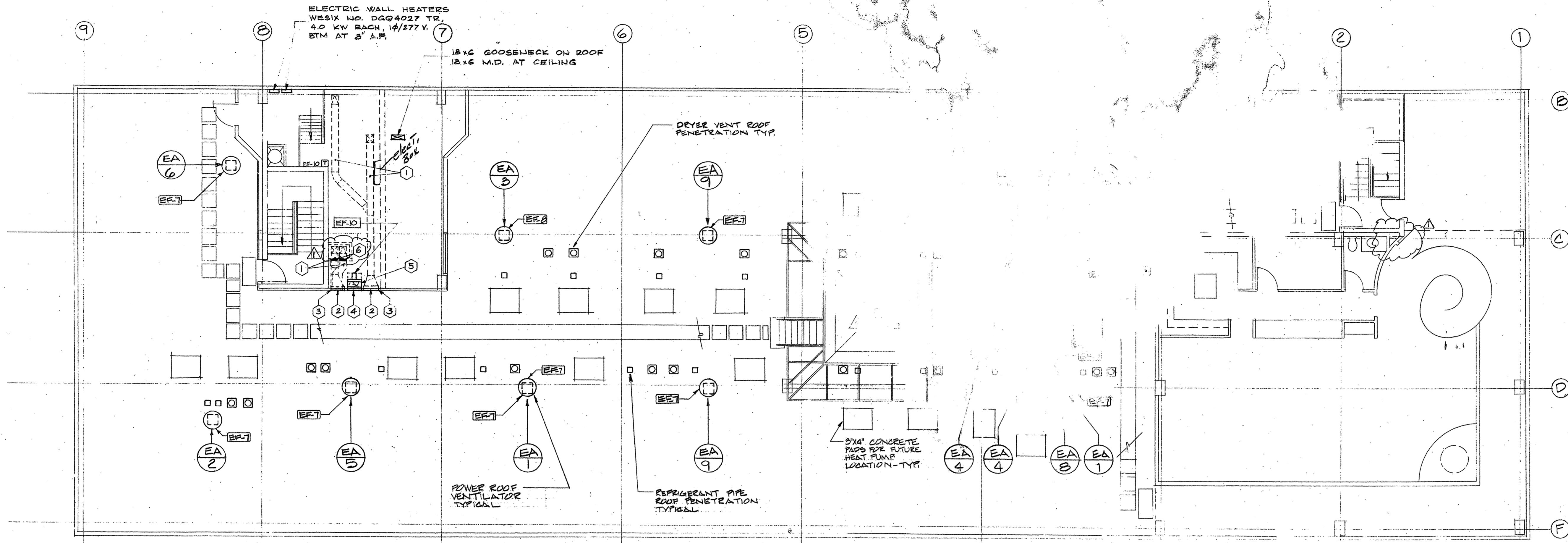
CAPITOL PLAZA HOTEL
 FRANKFORT / KENTUCKY

STATE OF KENTUCKY REGISTERED PROFESSIONAL ARCHITECT
 FACULTY
 CARTER FOSTER
 6520

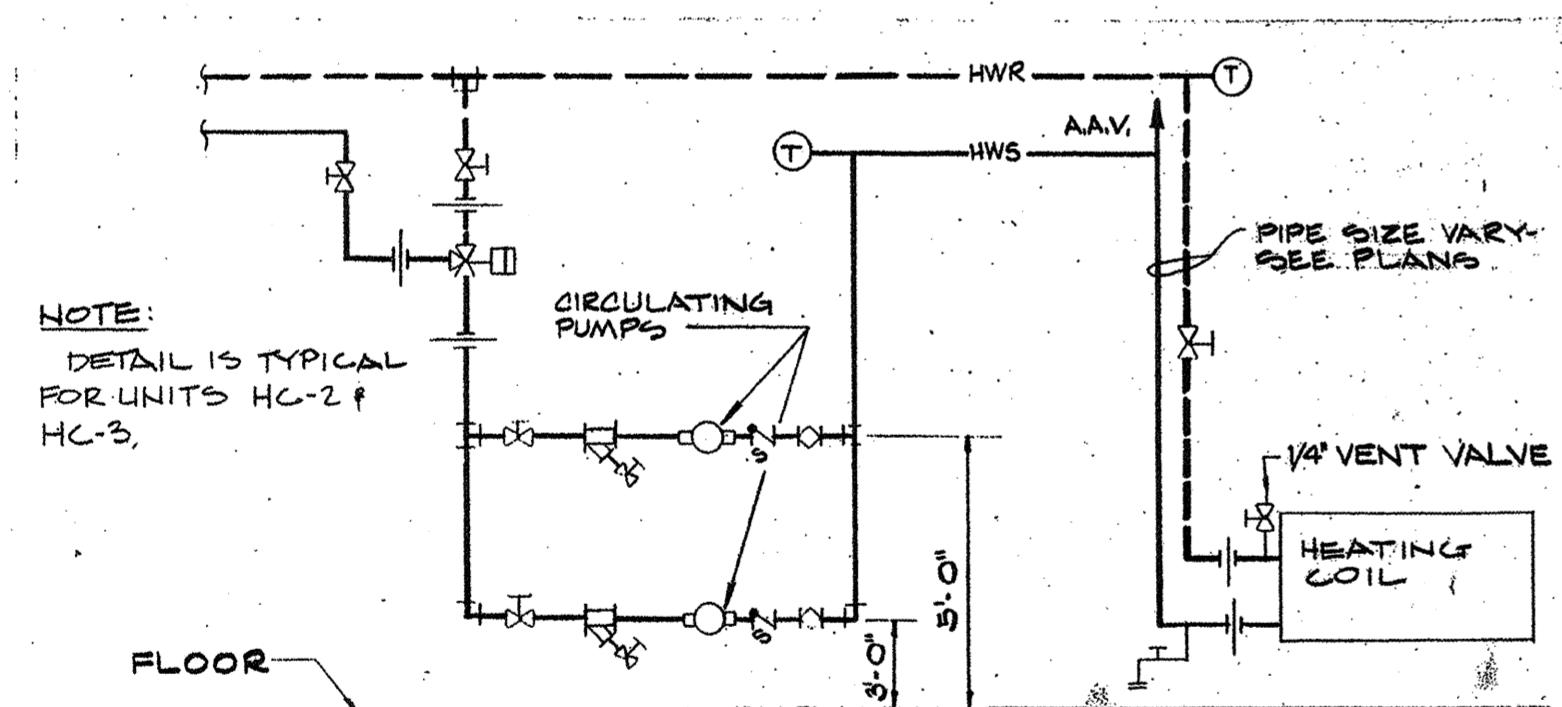
STATE OF KENTUCKY REGISTERED PROFESSIONAL ARCHITECT
 JOHN ROMANOWITZ
 4871

JOHNSON / ROMANOWITZ ARCHITECTS / LEXINGTON / KENTUCKY
 301 EAST VINE STREET, SUITE A
 TELEPHONE (606) 252-6781

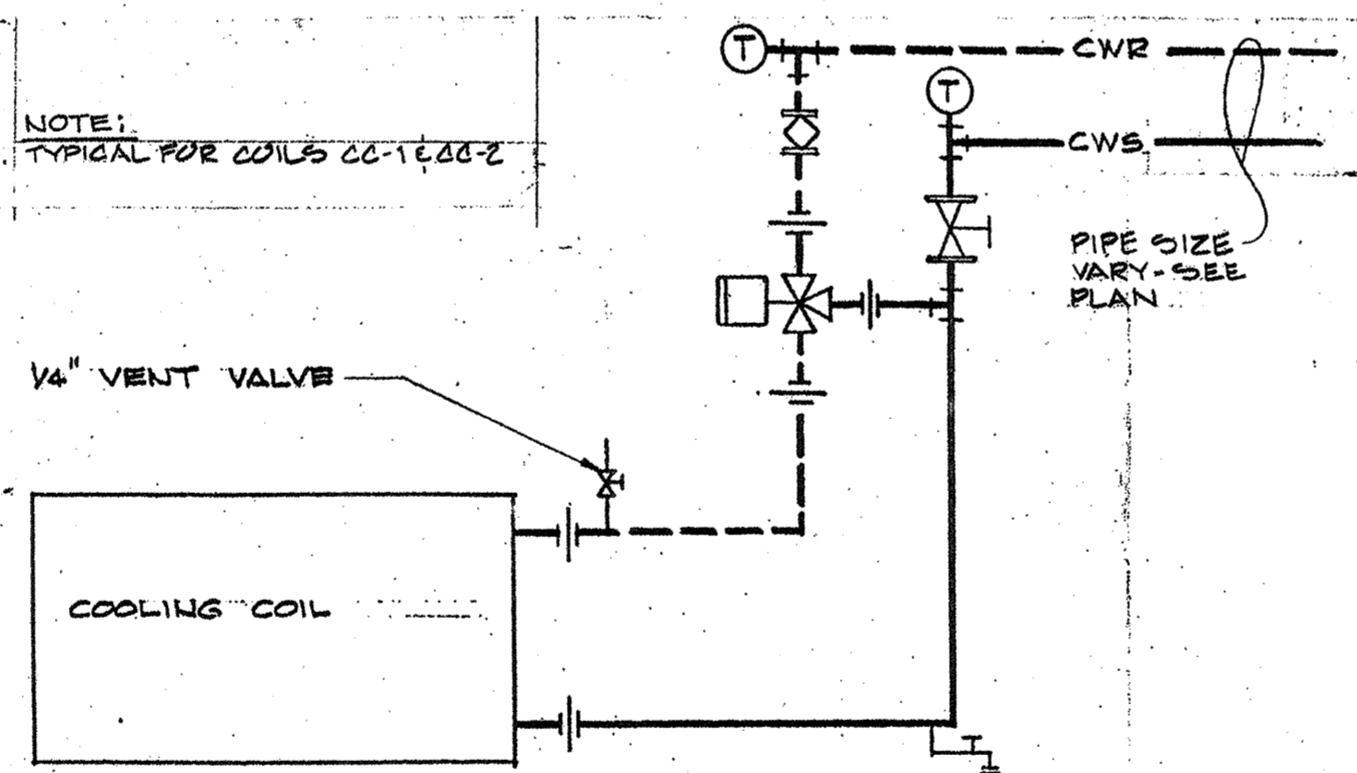
DRAWN L.F.M.	PROJECT
CHECKED A.T.F.	DATE 5-10-83
HVAC	
HEATING, VENTILATING AND AIR CONDITIONING PLANS 9 TH & 10 TH FLOORS - CONDOMINIUMS	
REISSUED 8-2-83	
DRAWING H-9	
REISSUED 9-20-83	



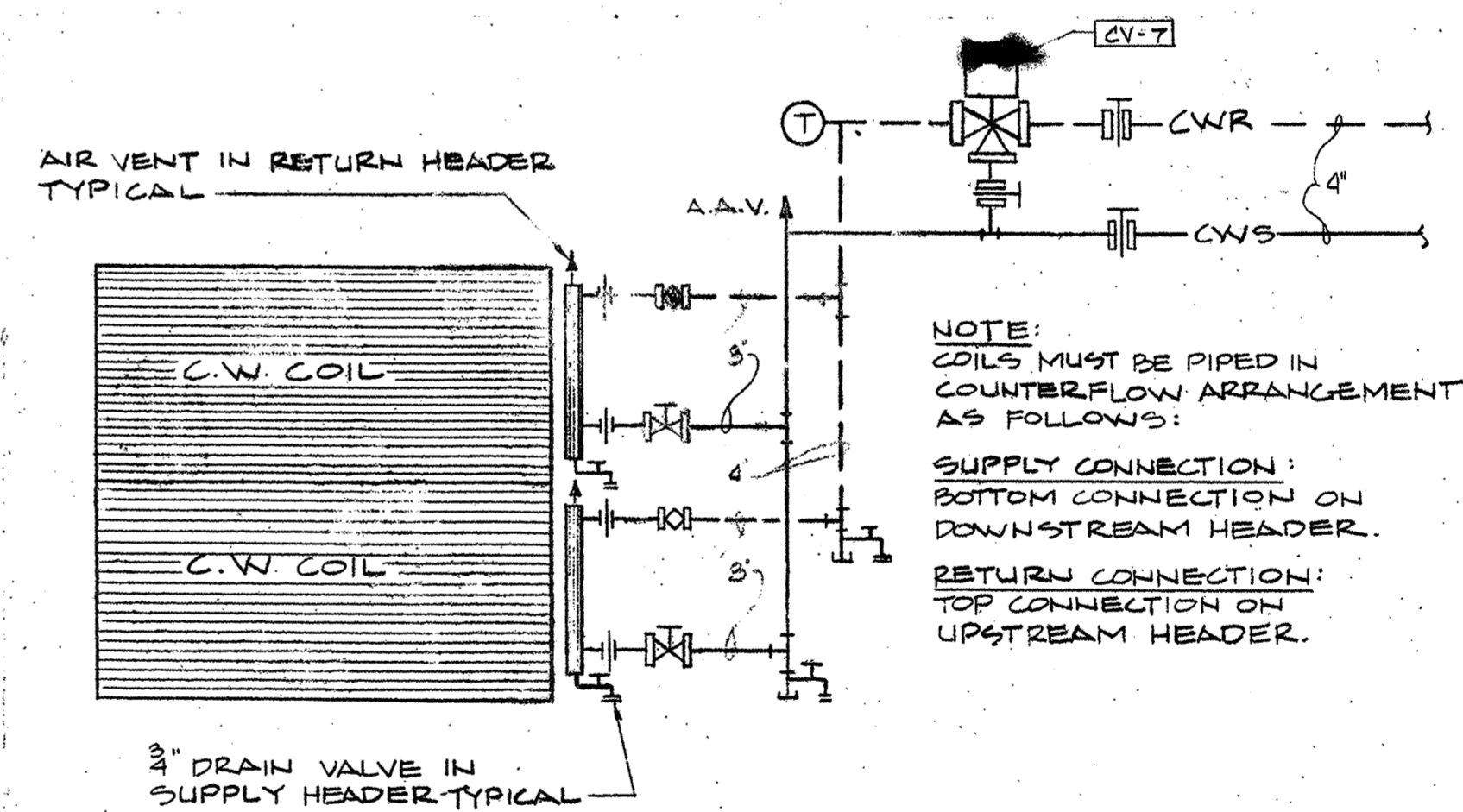
HEATING, VENTILATING, AND AIR CONDITIONING PLAN- ROOF
SCALE 1/8" = 1'-0"



PREHEAT COIL PIPING DIAGRAM
NO SCALE



COOLING COIL PIPING DIAGRAM
NO SCALE



COOLING COIL PIPING DIAGRAM: CC-3
NO SCALE

KEYED NOTES:

- ① 10' x 10' DUCTWORK IN VOID SPACE ABOVE ROOF AND BELOW ELEVATOR MACHINE ROOM.
- ② 16" x 8" EXHAUST LOUVER, TITUS BRICK "N" BLOCK VENT NO. 3A2 WITH 1/2" x 1/2" BIRDSCREEN, BOTTOM OF LOUVER AT APPROX. 1'-0" ABOVE ROOF.
- ③ 24" x 8" O.A. LOUVER, TITUS BRICK "N" BLOCK VENT NO. 3A3 WITH 1/2" x 1/2" BIRDSCREEN, BOTTOM OF LOUVER AT APPROX. 4'-6" ABOVE ROOF.
- ④ 24" x 24" EXHAUST LOUVER, 3 TITUS BRICK "N" BLOCK VENTS NO. 3A3 WITH 1/2" x 1/2" BIRDSCREEN, BOTTOM OF LOUVER AT APPROX. 6'-0" ABOVE MACHINE ROOM FLOOR.
- ⑤ 24" x 24" MOTOR OPERATED DAMPER BEHIND LOUVER.
- ⑥ INSTALL FIRE DAMPER AND ACCESS DOOR IN EACH DUCT AT SHAFT WALL PENETRATION.

REVISIONS
A 8-2-83
GENERAL REVISIONS



Consulting Engineers
3257 Lochness Drive
Lexington, Kentucky

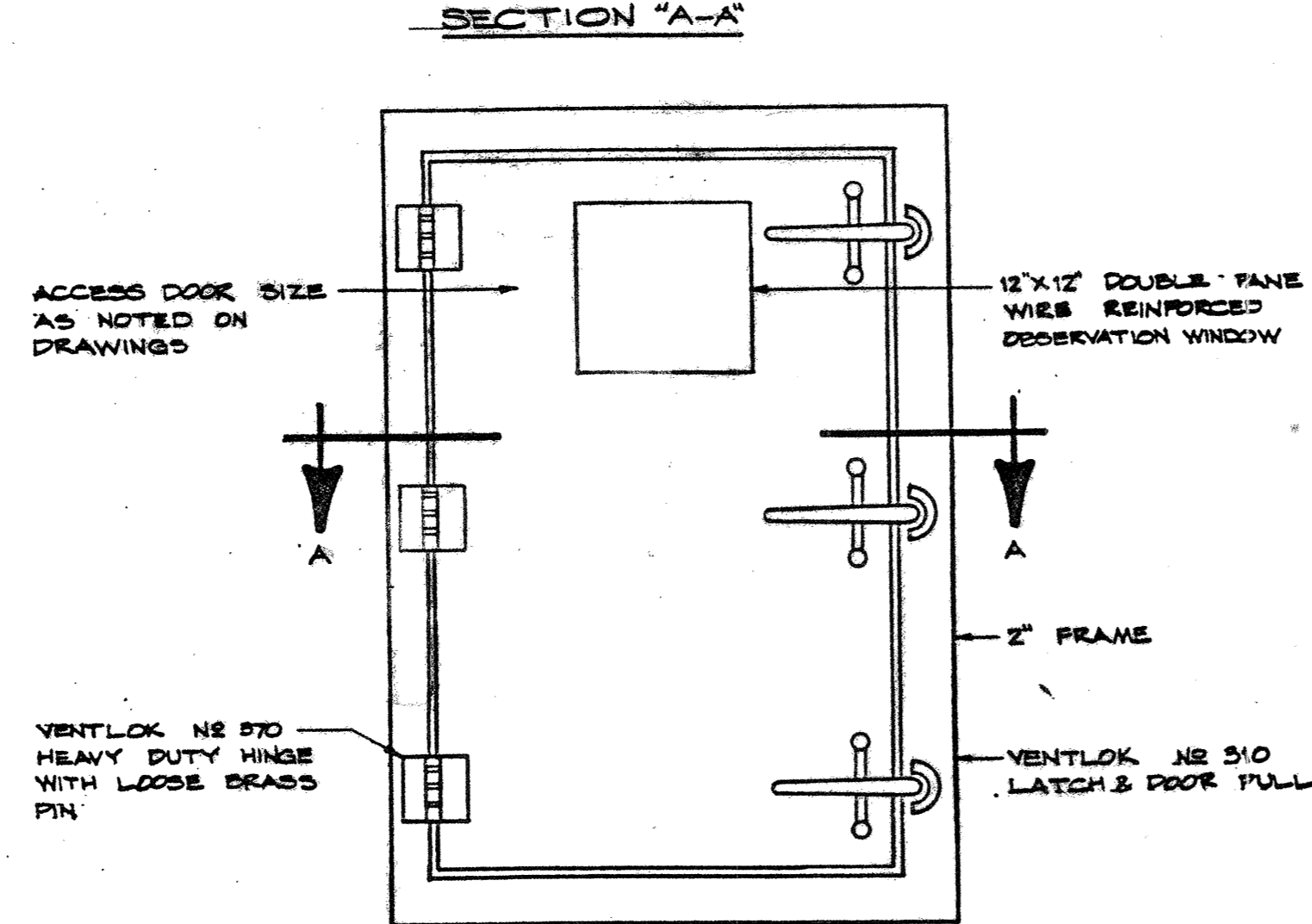
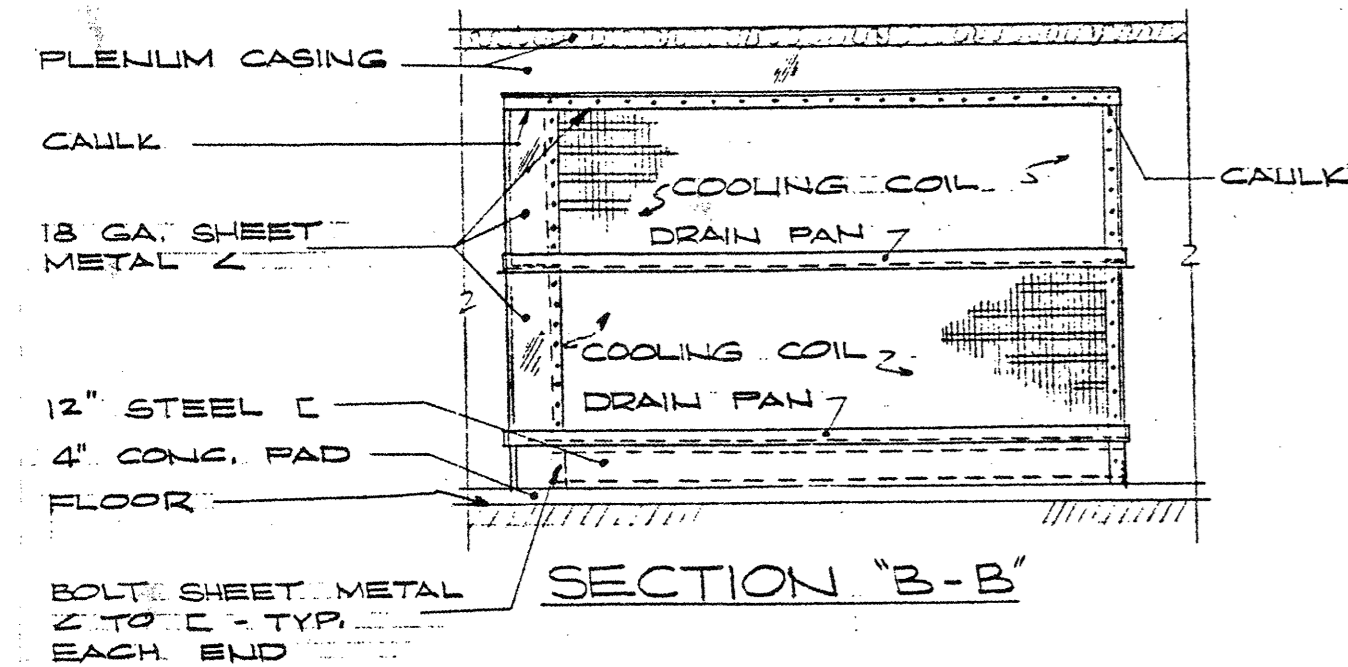
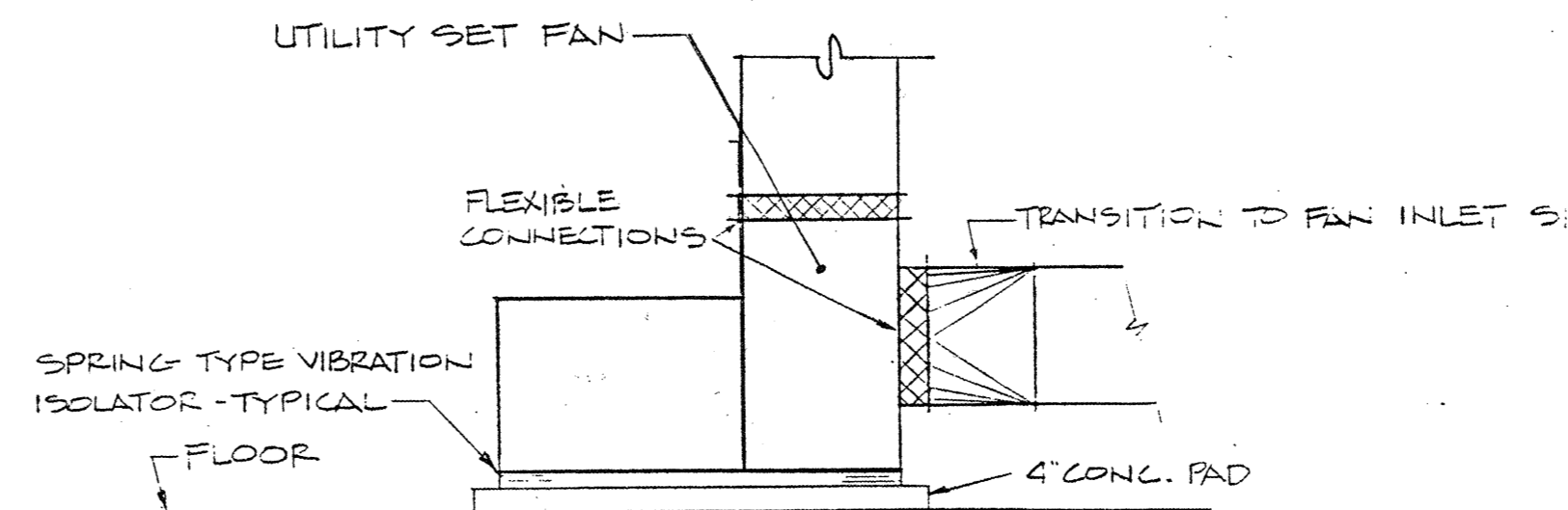
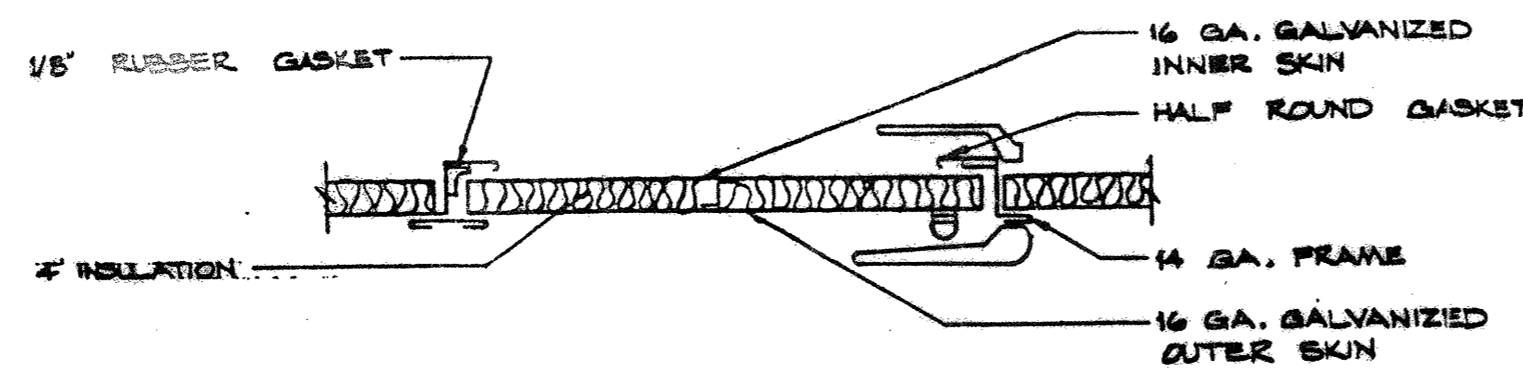
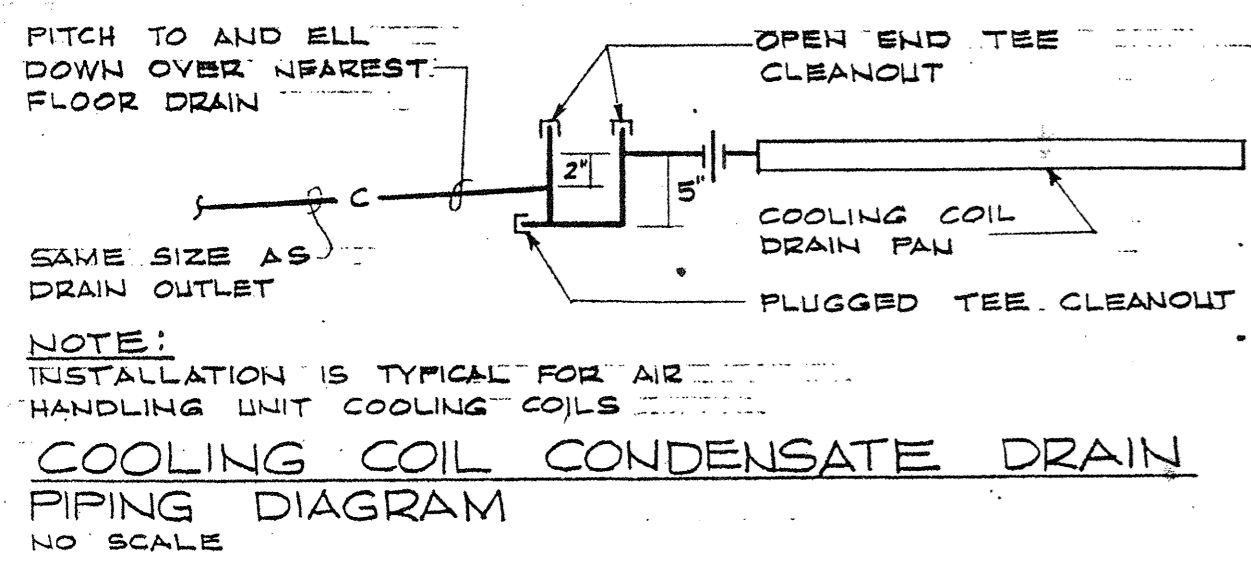
CARTER - FOSTER INC.

CAPITOL PLAZA HOTEL
FRANKFORT / KENTUCKY

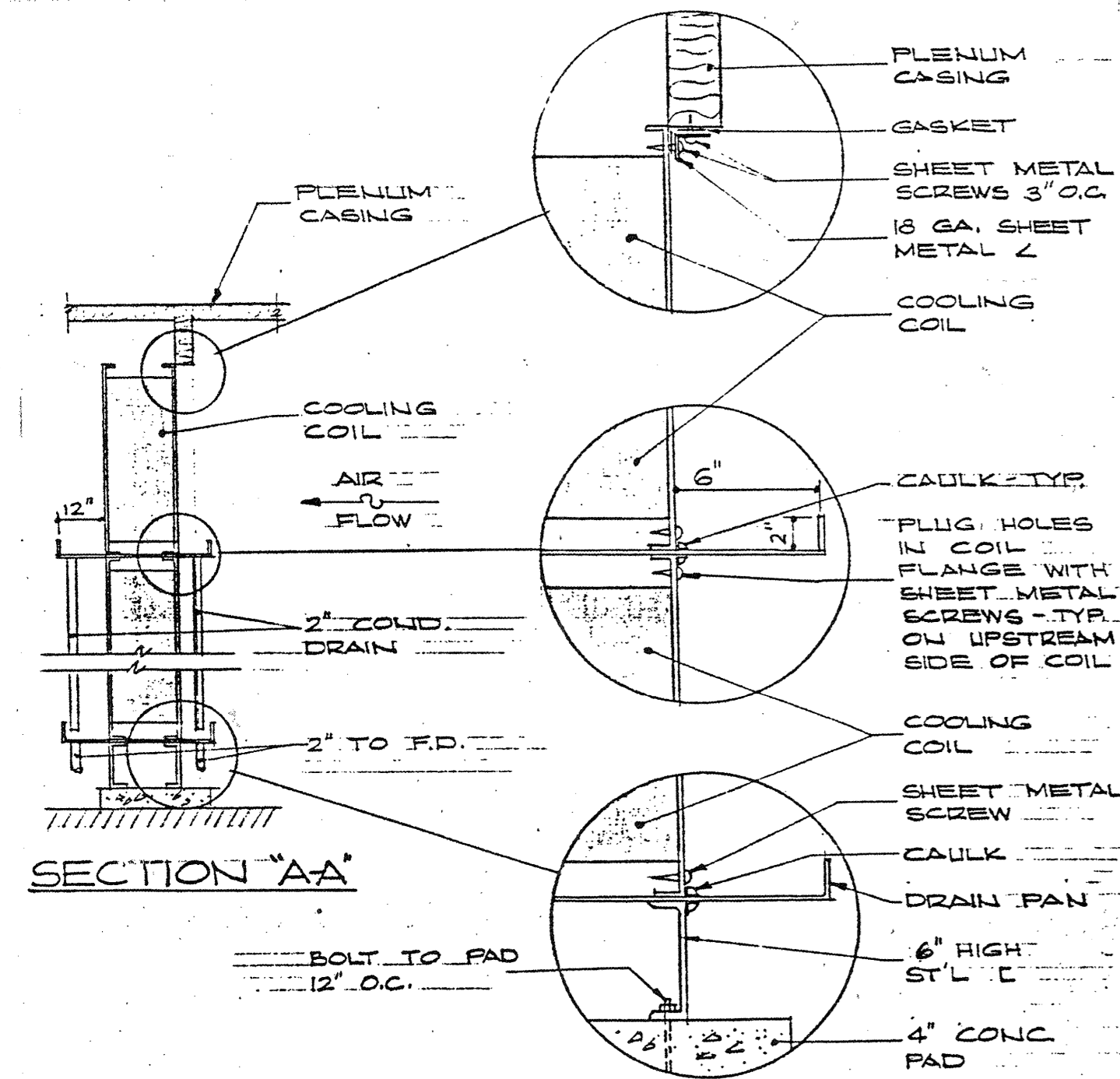
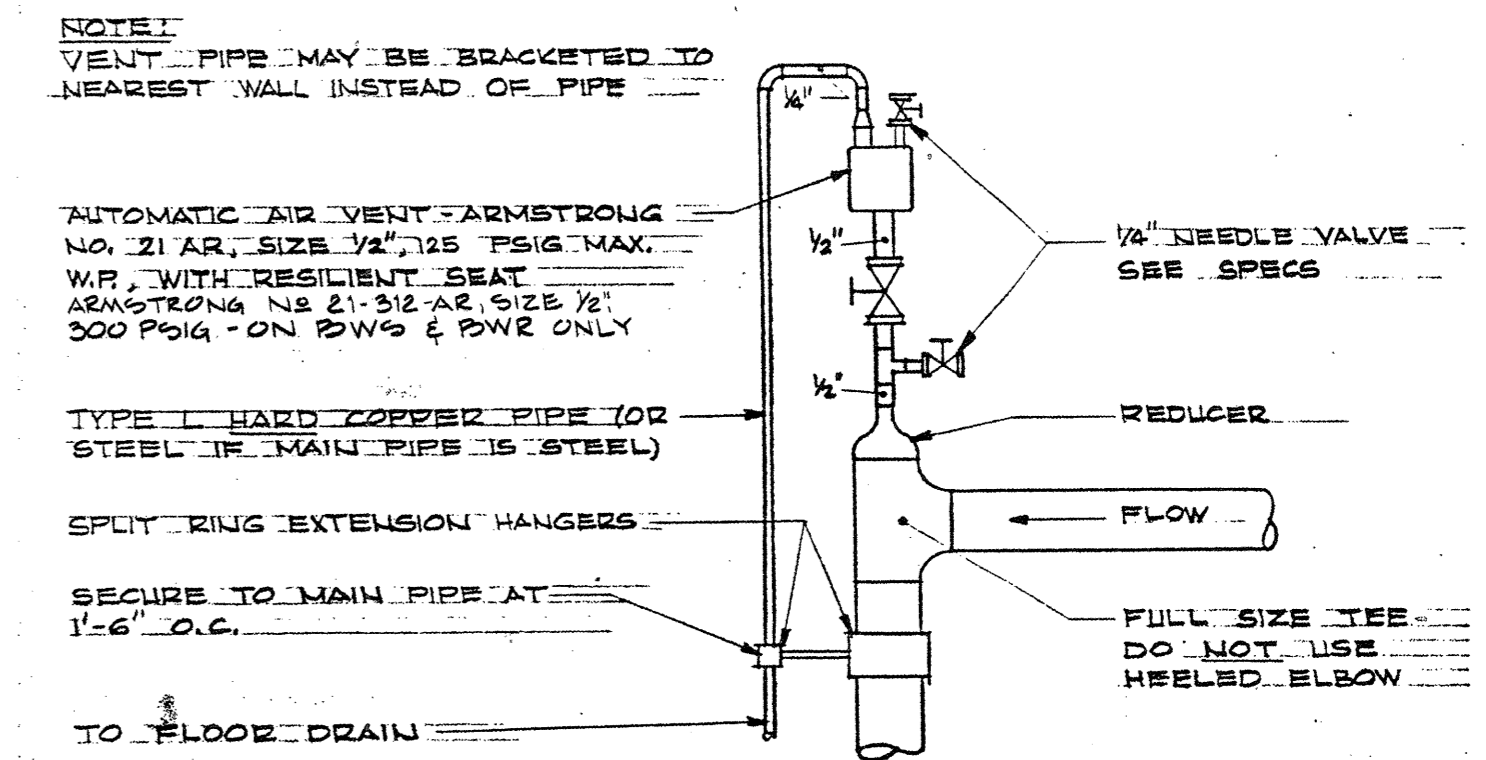
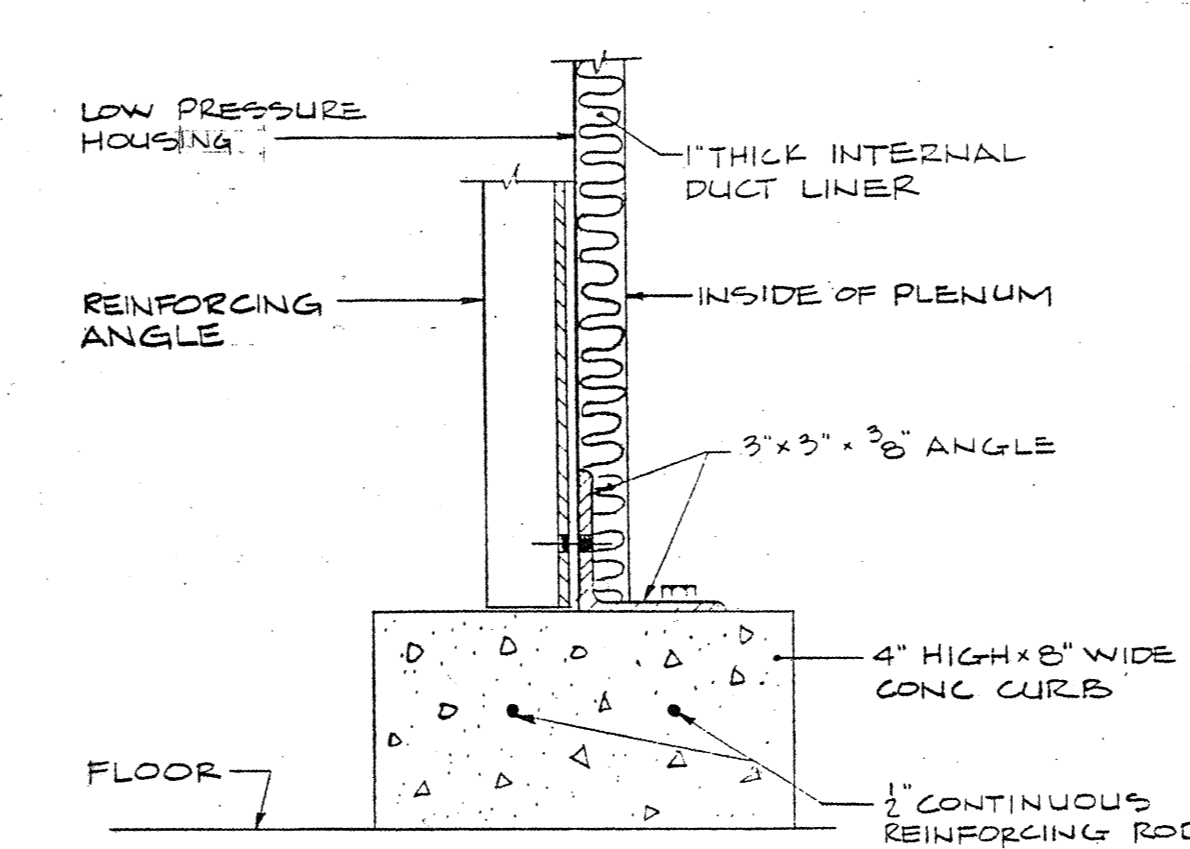
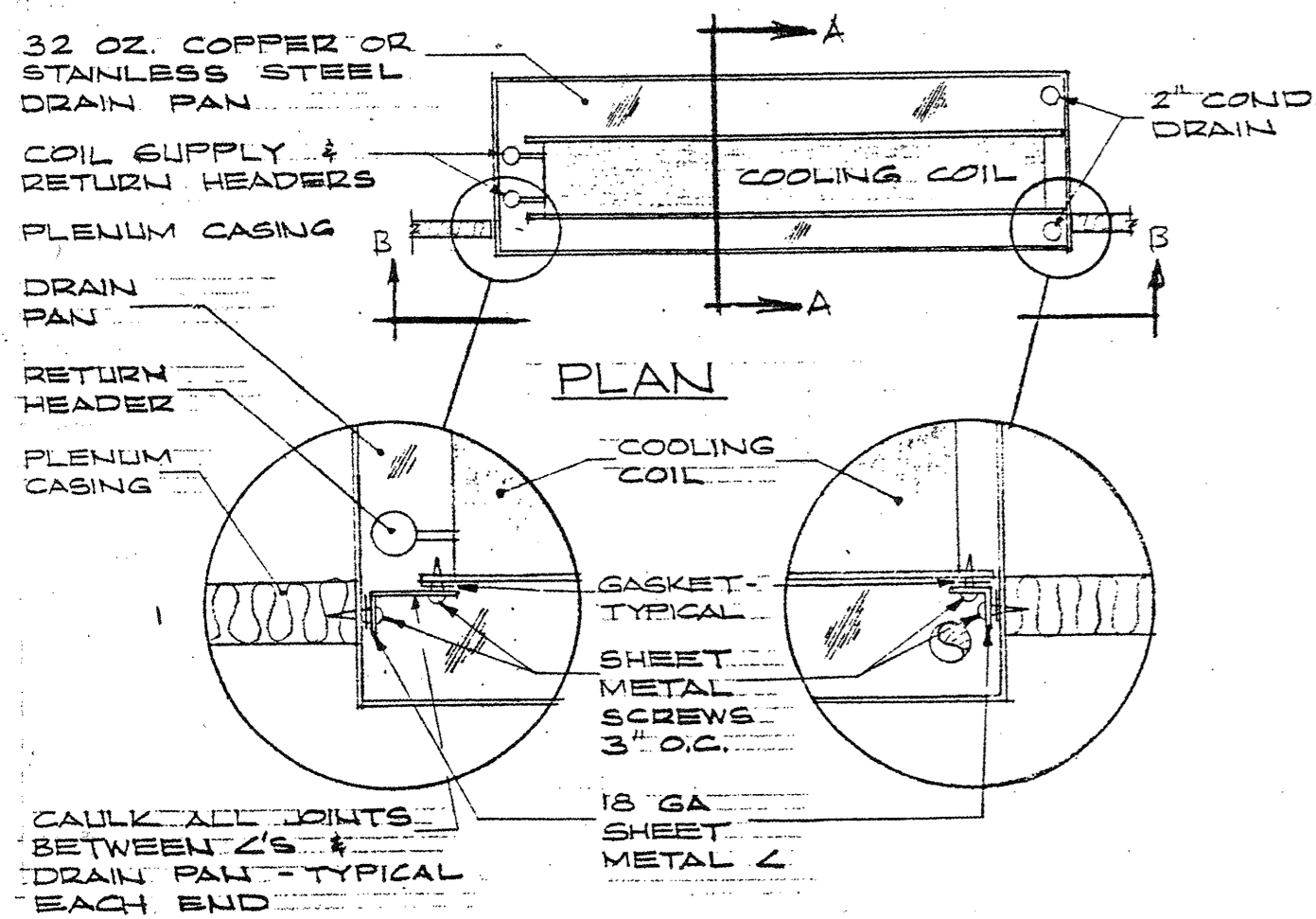
STATE OF KENTUCKY REGISTERED PROFESSIONAL ARCHITECT
TAGCART FOSTER 6320

STATE OF KENTUCKY REGISTERED PROFESSIONAL ARCHITECT
JOHNSON / ROMANOWITZ ARCHITECTS / LEXINGTON / KENTUCKY
301 EAST VINE STREET, SUITE A
LEXINGTON, KENTUCKY 40501
TELEPHONE (606) 252-6781

DRAWN GGC	PROJECT
CHECKED A.T.F.	DATE 5-10-83
HVAC	
HEATING, VENTILATING & AIR CONDITIONING PLAN- ROOF	
ISSUED 8-2-83	
DRAWING H-10	
ISSUED 9-20-83	



UTILITY SET FAN INSTALLATION DETAIL
NO SCALE

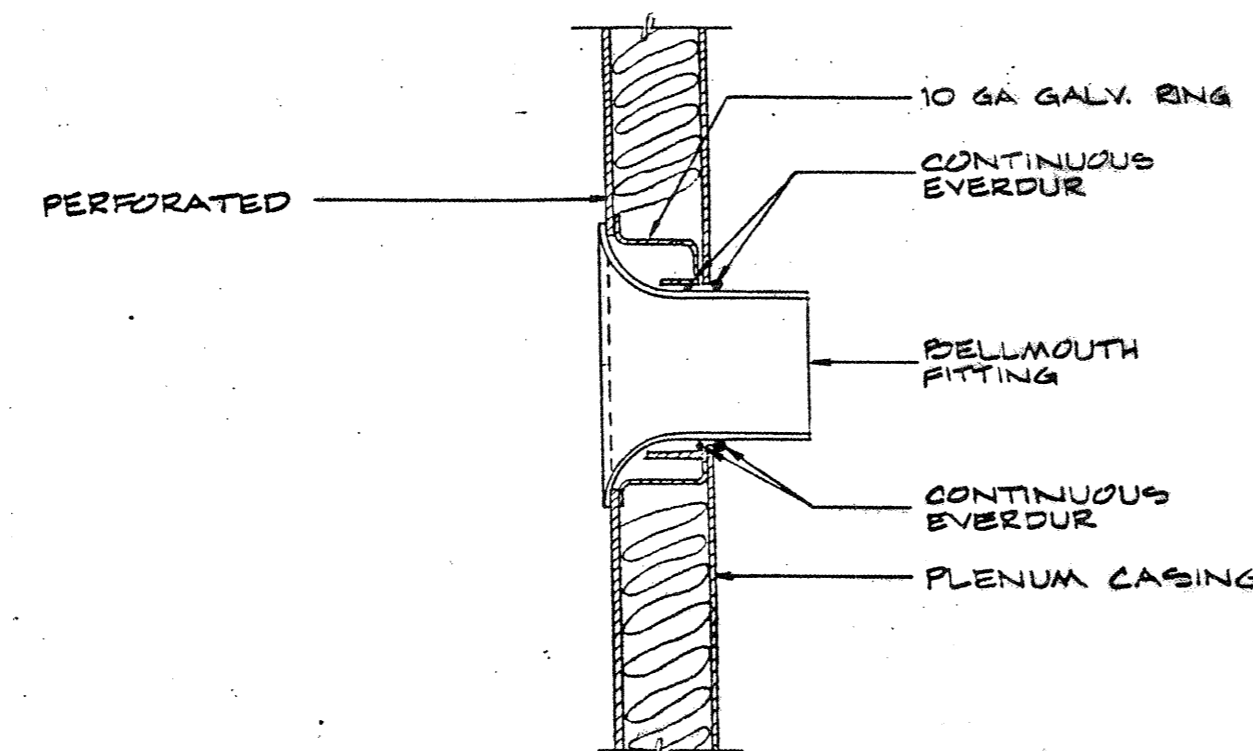


DETAIL ACCESS DOOR
NO SCALE

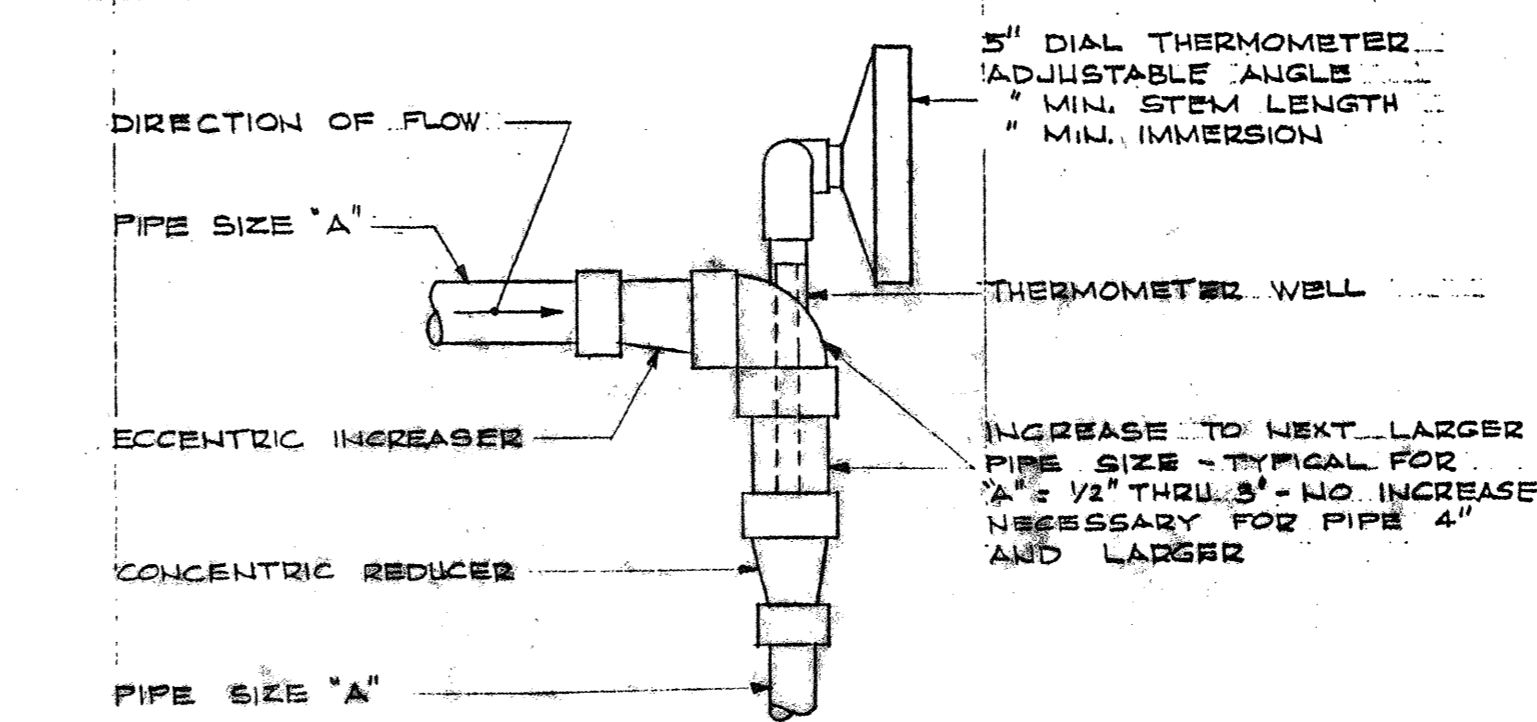
LOW PRESSURE HOUSING CURB MOUNTING DETAIL
NO SCALE

AUTOMATIC AIR VENT DETAIL
NO SCALE

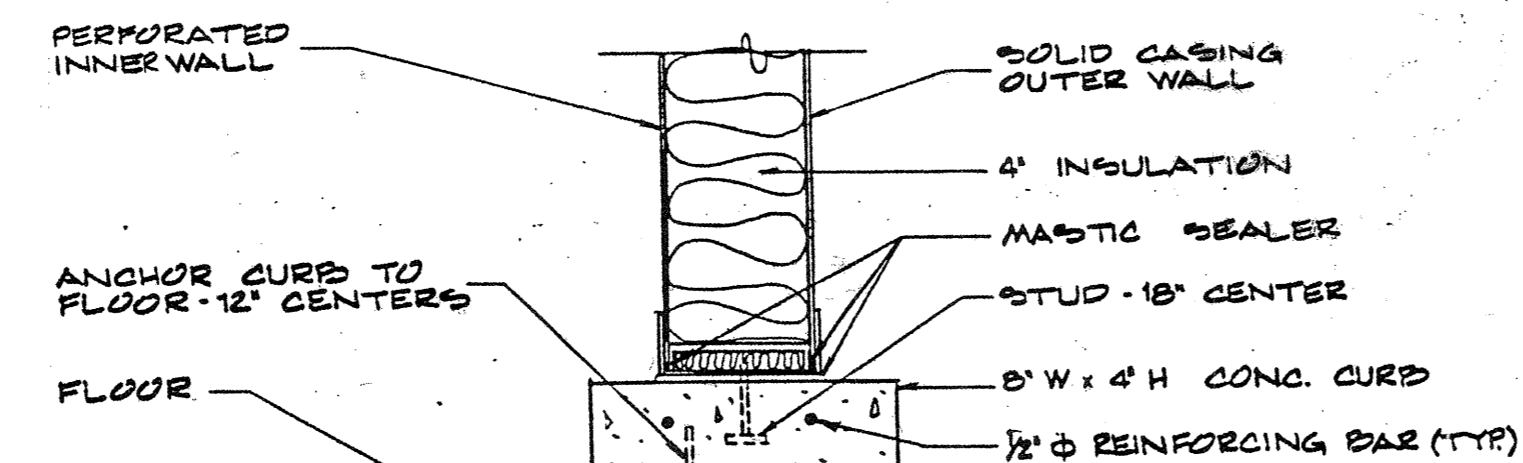
COOLING COIL INSTALLATION DETAILS
NO SCALE



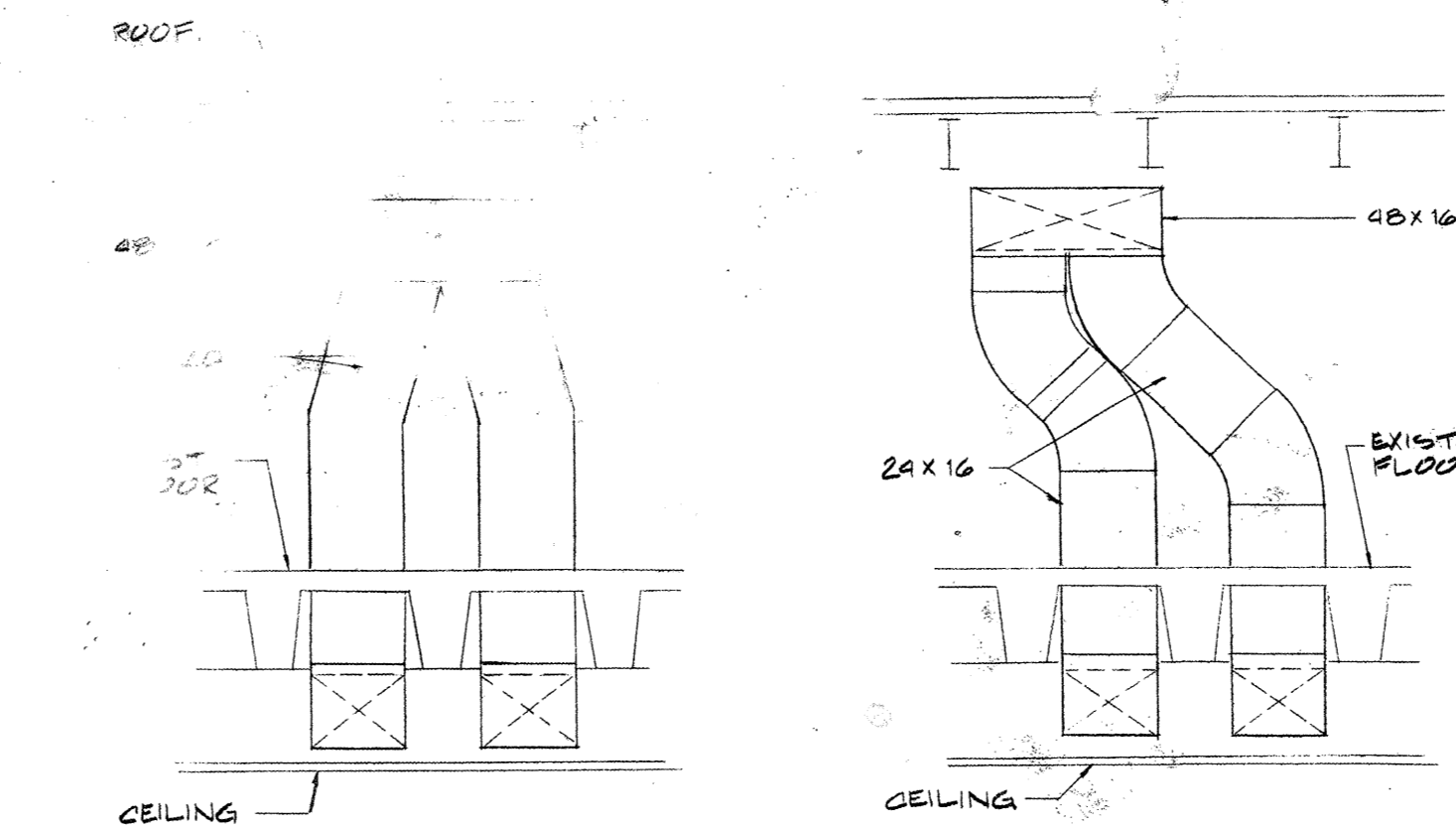
DETAIL - BELLMOUTH FITTING
NO SCALE



PIPE THERMOMETER INSTALLATION DETAIL
NO SCALE

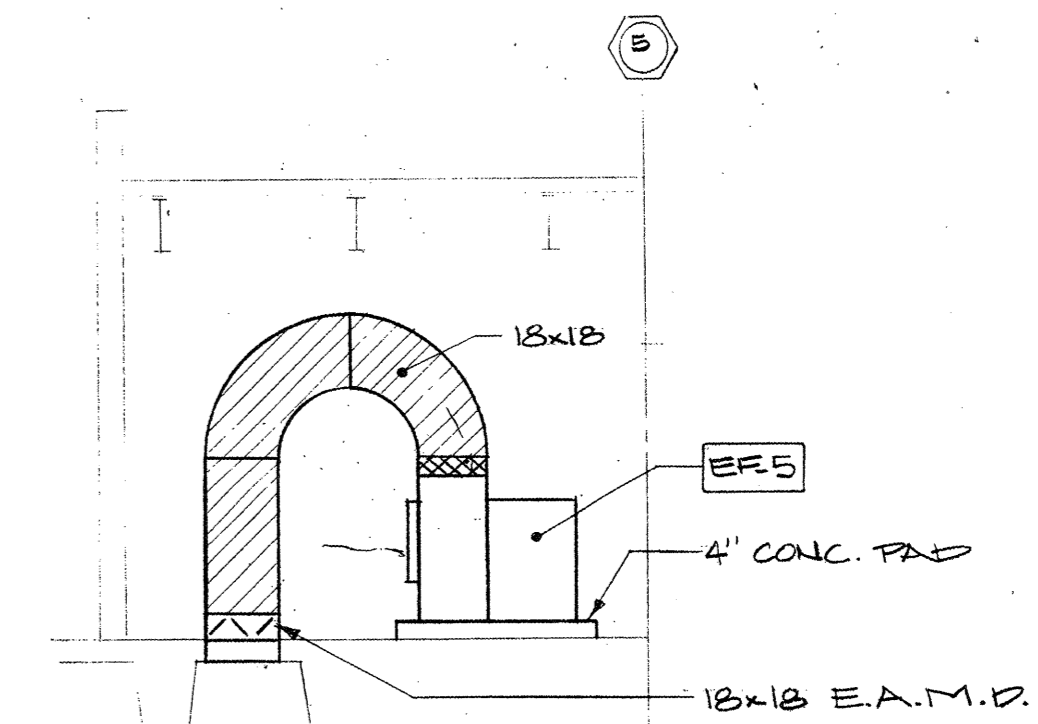


FAN PLENUM CASING CURB DETAIL
NO SCALE



DETAIL 'B'
SCALE: 1/4\"/>

DETAIL 'A'
SCALE: 1/4\"/>



DETAIL 'C'
SCALE: 1/4\"/>

Consulting Engineers
3257 Lochness Drive
Lexington, Kentucky

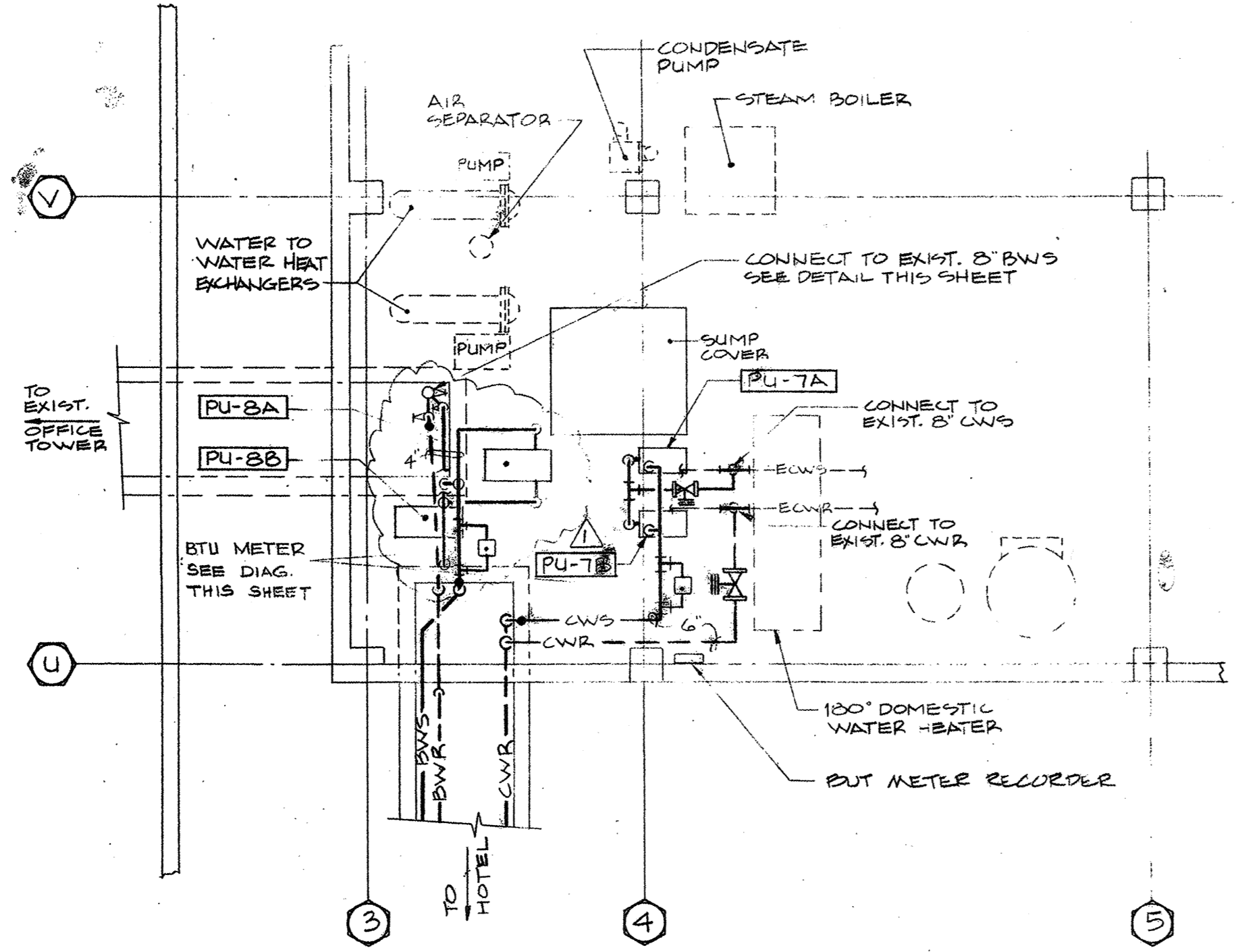
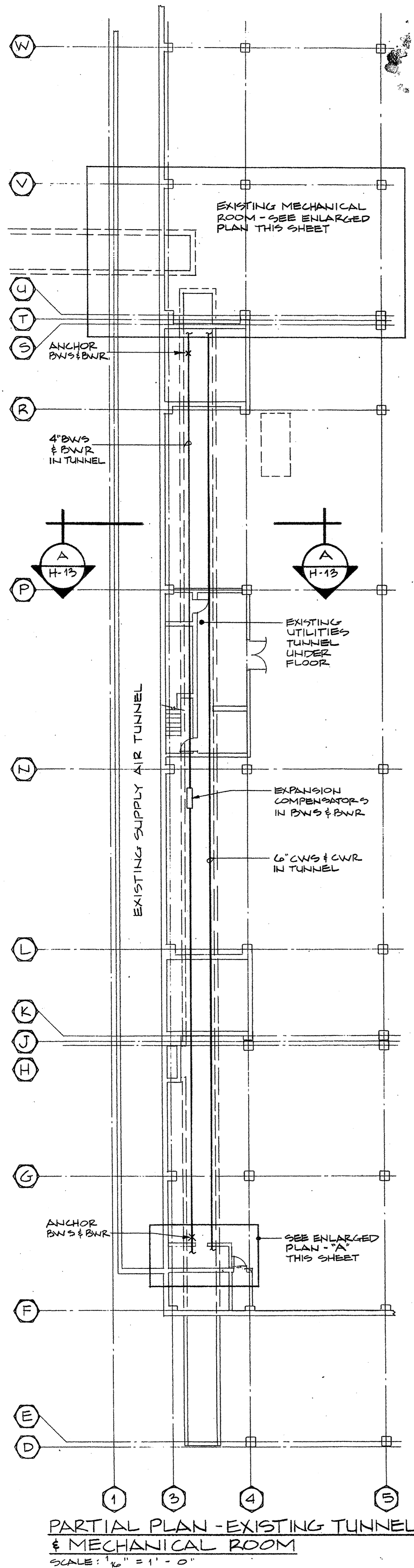
CARTER - FOSTER INC.

CAPITOL PLAZA HOTEL
FRANKFORT / KENTUCKY

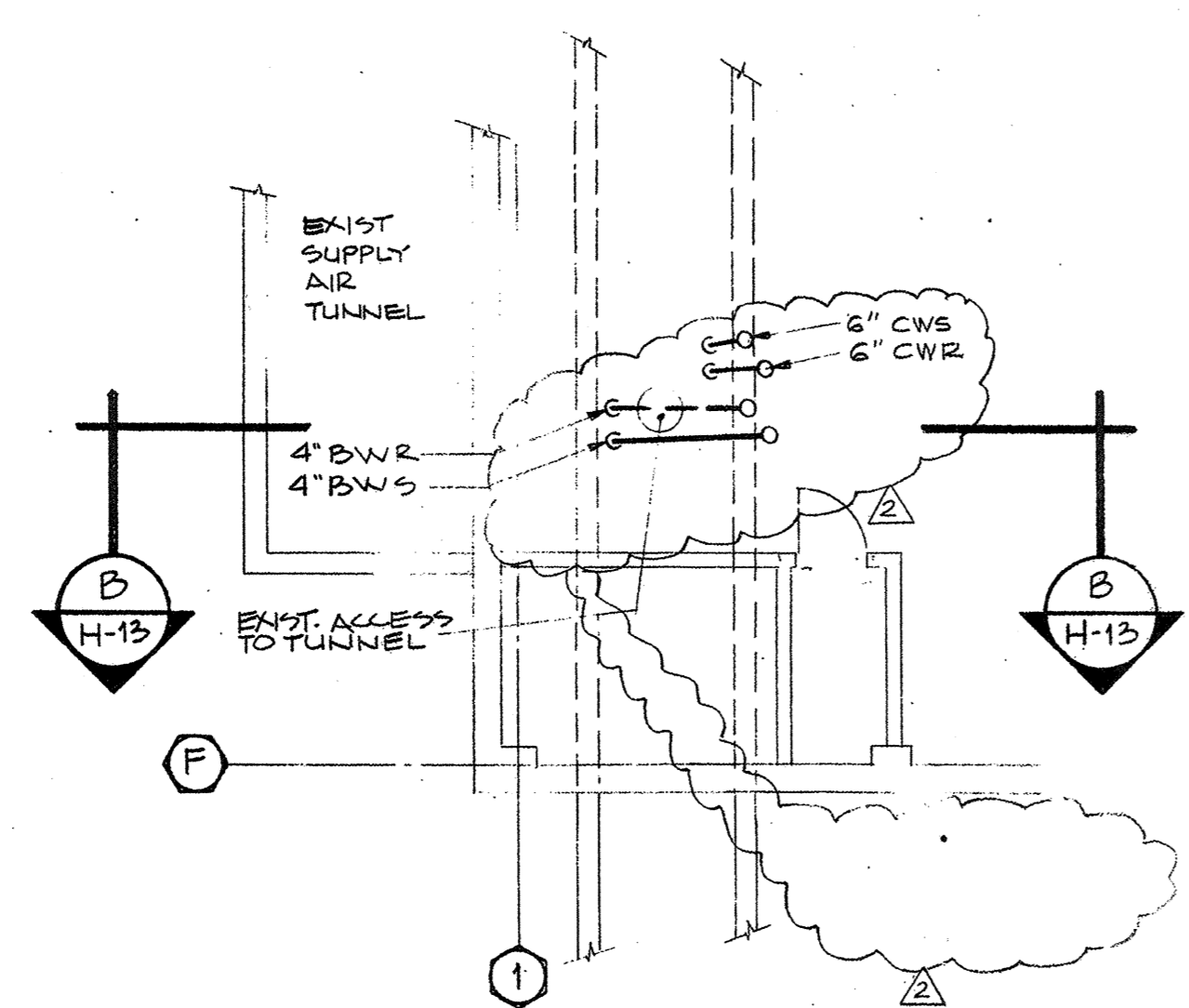
JOHNSON / ROMANOWITZ ARCHITECTS / LEXINGTON / KENTUCKY
301 EAST VINE STREET, SUITE A
LEXINGTON, KY 40502
TELEPHONE (606) 252-6781

DRAWN L.S.M.	PROJECT
CHECKED A.T.F.	DATE 5-10-83
HVAC	
DETAILS	
DRAWING H-12	

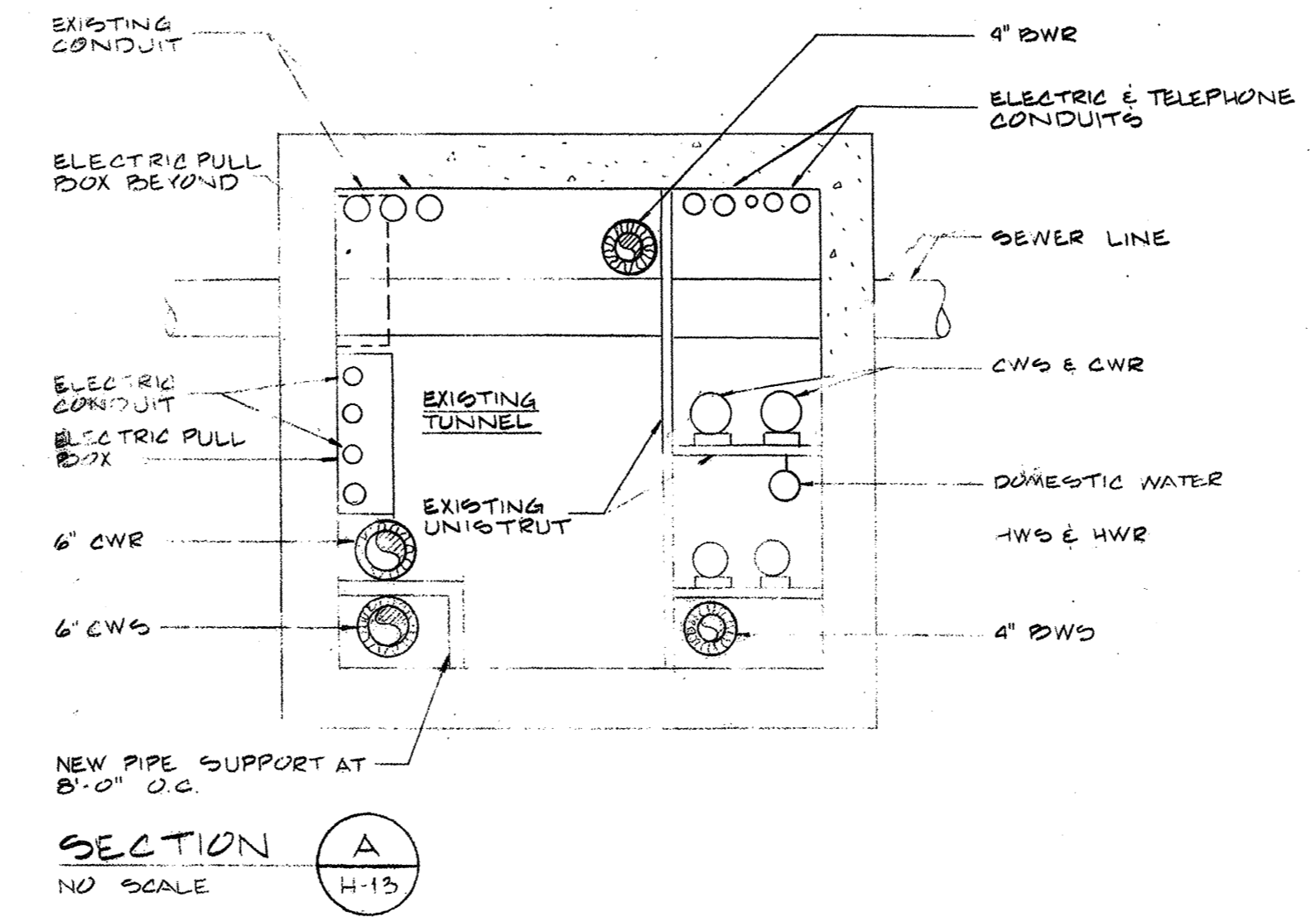
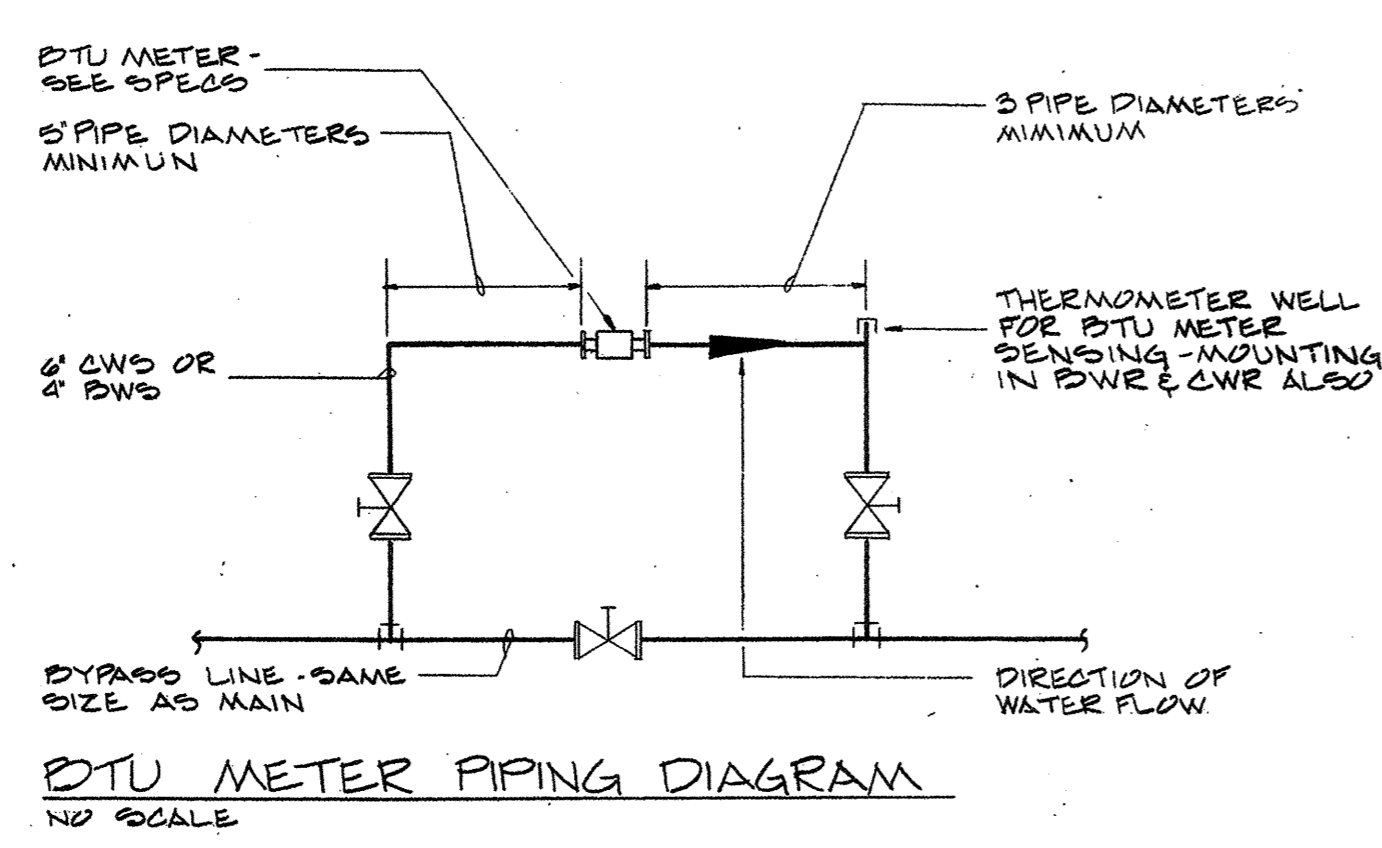
REVISED 7-8-83



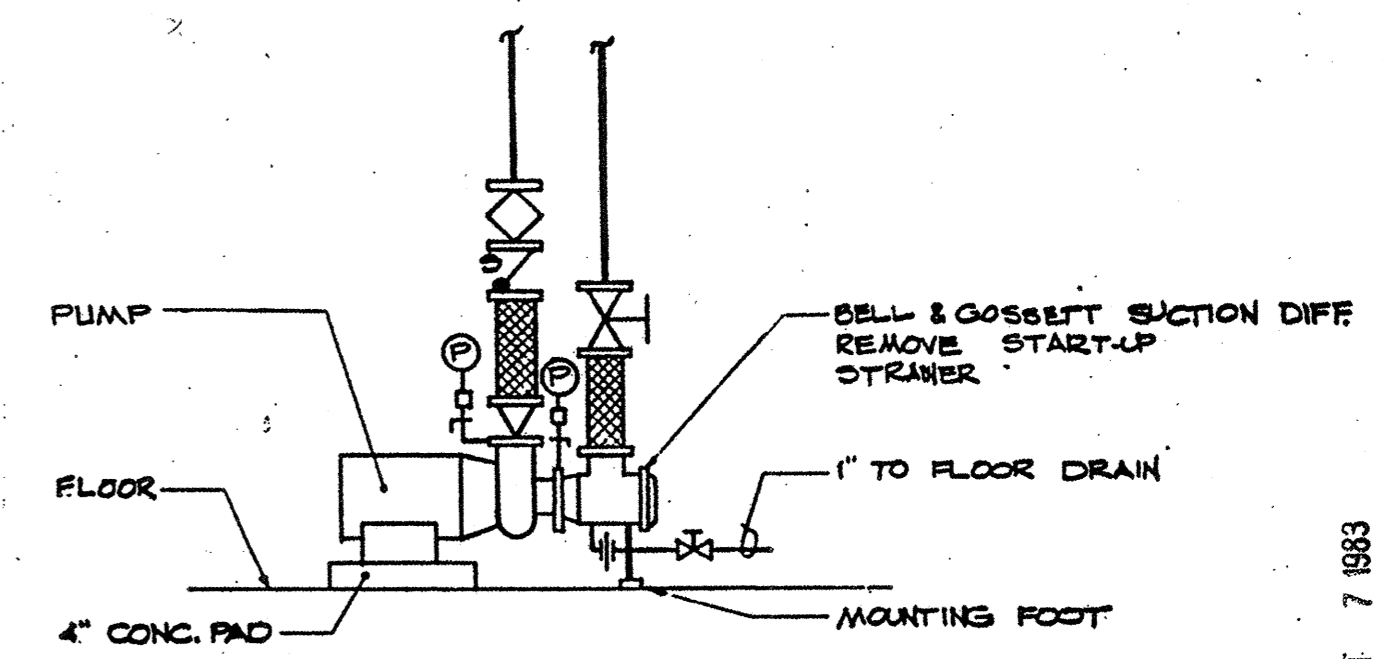
ENLARGED PARTIAL PLAN - EXISTING MECHANICAL ROOM
SCALE: 1/8" = 1'-0"



ENLARGED PARTIAL PLAN - "A"
SCALE: 1/8" = 1'-0"



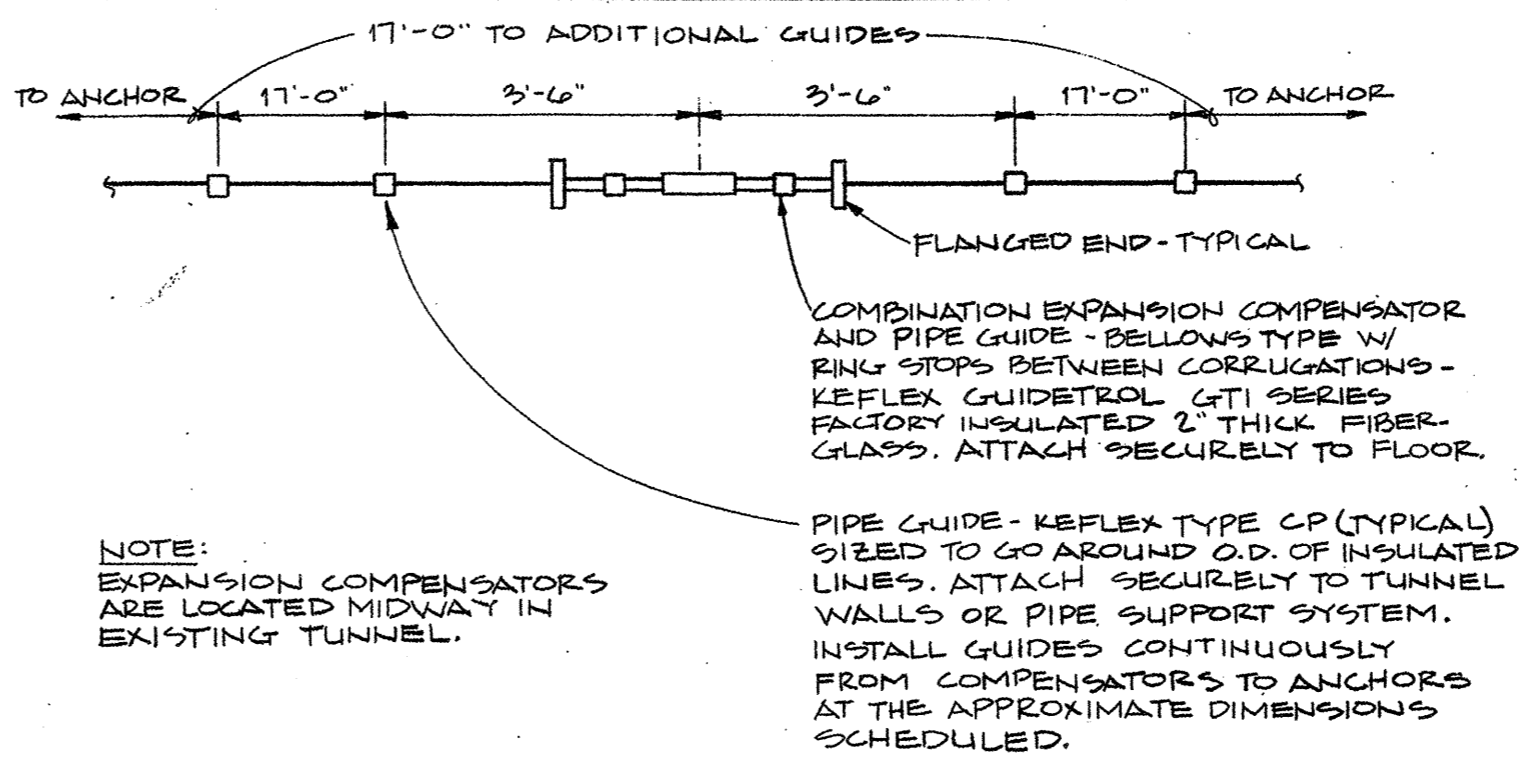
PIPING DIAGRAM - BOILER WATER PUMPS
NO SCALE



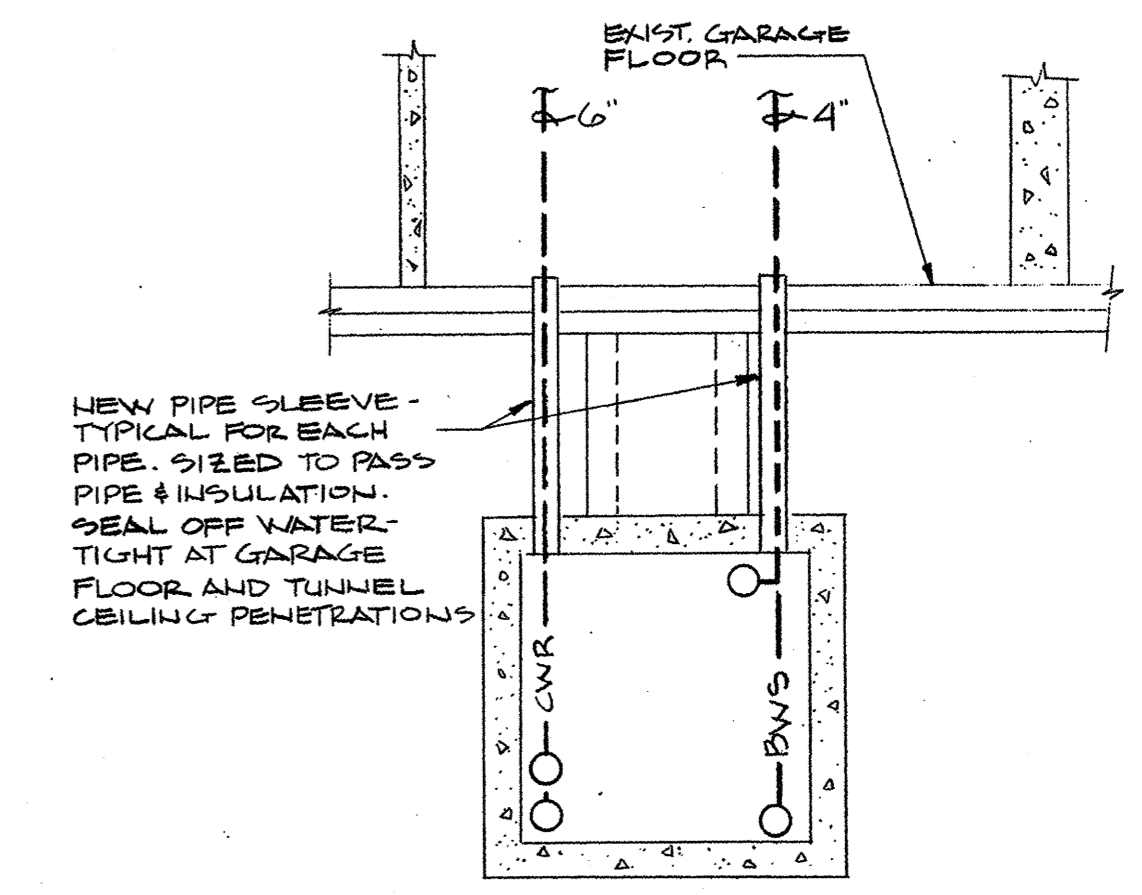
PIPING DIAGRAM - END SUCTION PUMP
NO SCALE

EXPANSION COMPENSATOR SCHEDULE

PIPE	PIPE SIZE	COMPENSATOR SIZE	MINIMUM EXPANSION	MAXIMUM W.P.	MAXIMUM RANGE
BWS	4"	4"	3"	250 PSIG	300°F
BWR	4"	4"	3"	250 PSIG	300°F

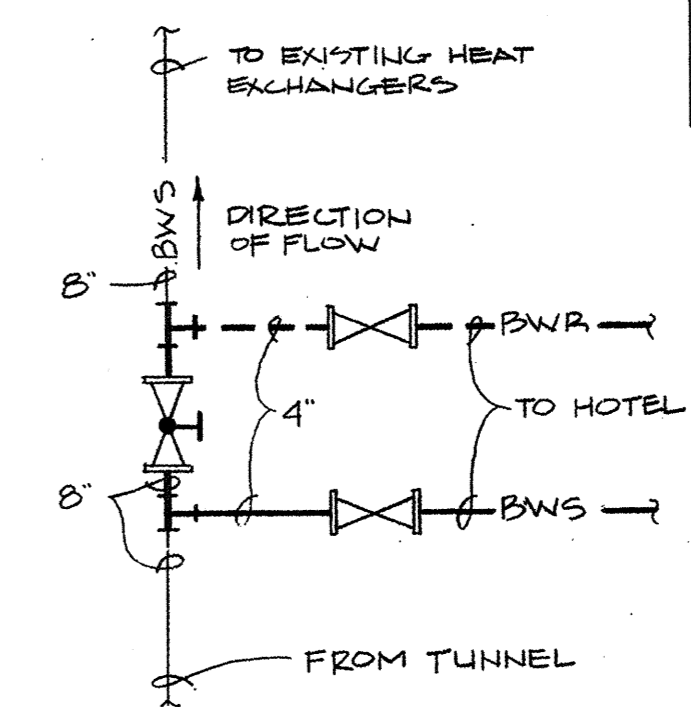


EXPANSION COMPENSATOR & GUIDE
INSTALLATION DETAIL
NO SCALE



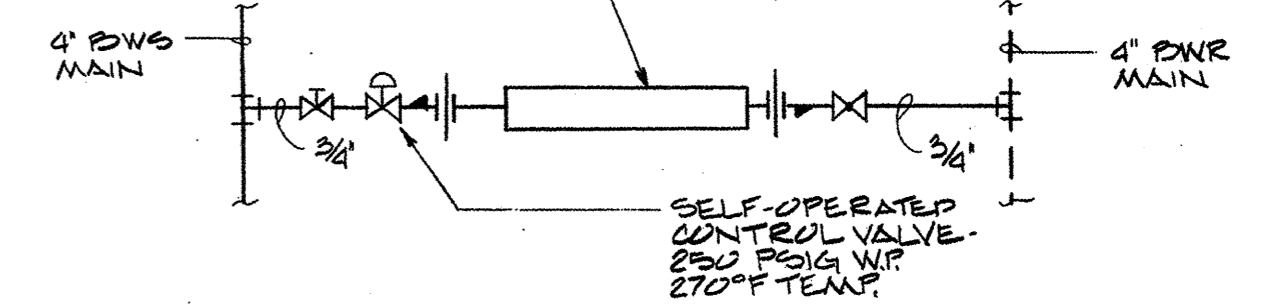
SECTION B
SCALE: 1/4" = 1'-0"

- REVISIONS
- 10-4-83 RELOCATED PU-8'S
 - 10-4-83 CHANGED PIPING ENT. TO TUNNEL



DETAIL - CONNECTION TO EXIST. BWS
NO SCALE

BAR FINNED TUBE HEATING ELEMENT - 1/2" STEEL PIPE, 40-42" OD. FINS PER FOOT, 4L.F. MOUNT AT 1'-6" ABOVE FLOOR

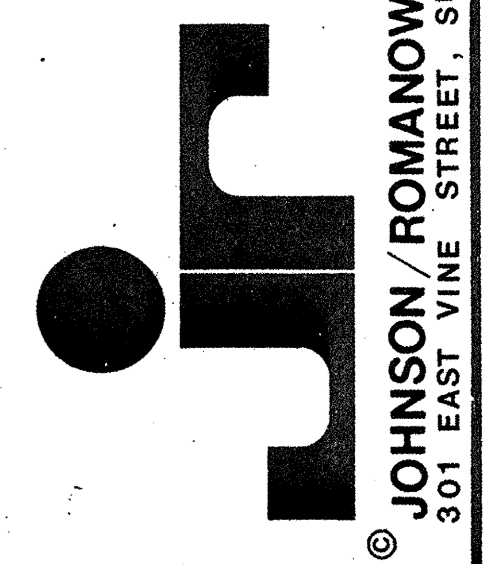
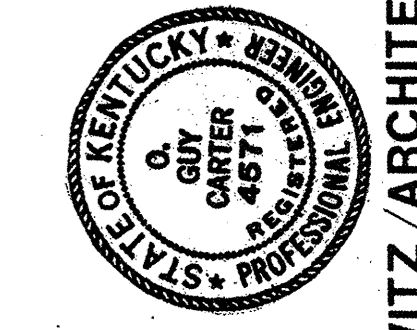
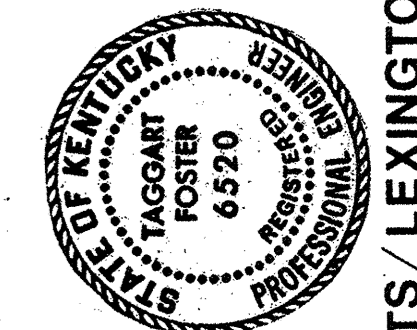


FINNED TUBE HEATING ELEMENT PIPING
DIAGRAM
NO SCALE

Consulting Engineers
3257 Lochness Drive
Lexington, Kentucky

CARTER - FOSTER INC.

CAPITOL PLAZA HOTEL
FRANKFORT / KENTUCKY



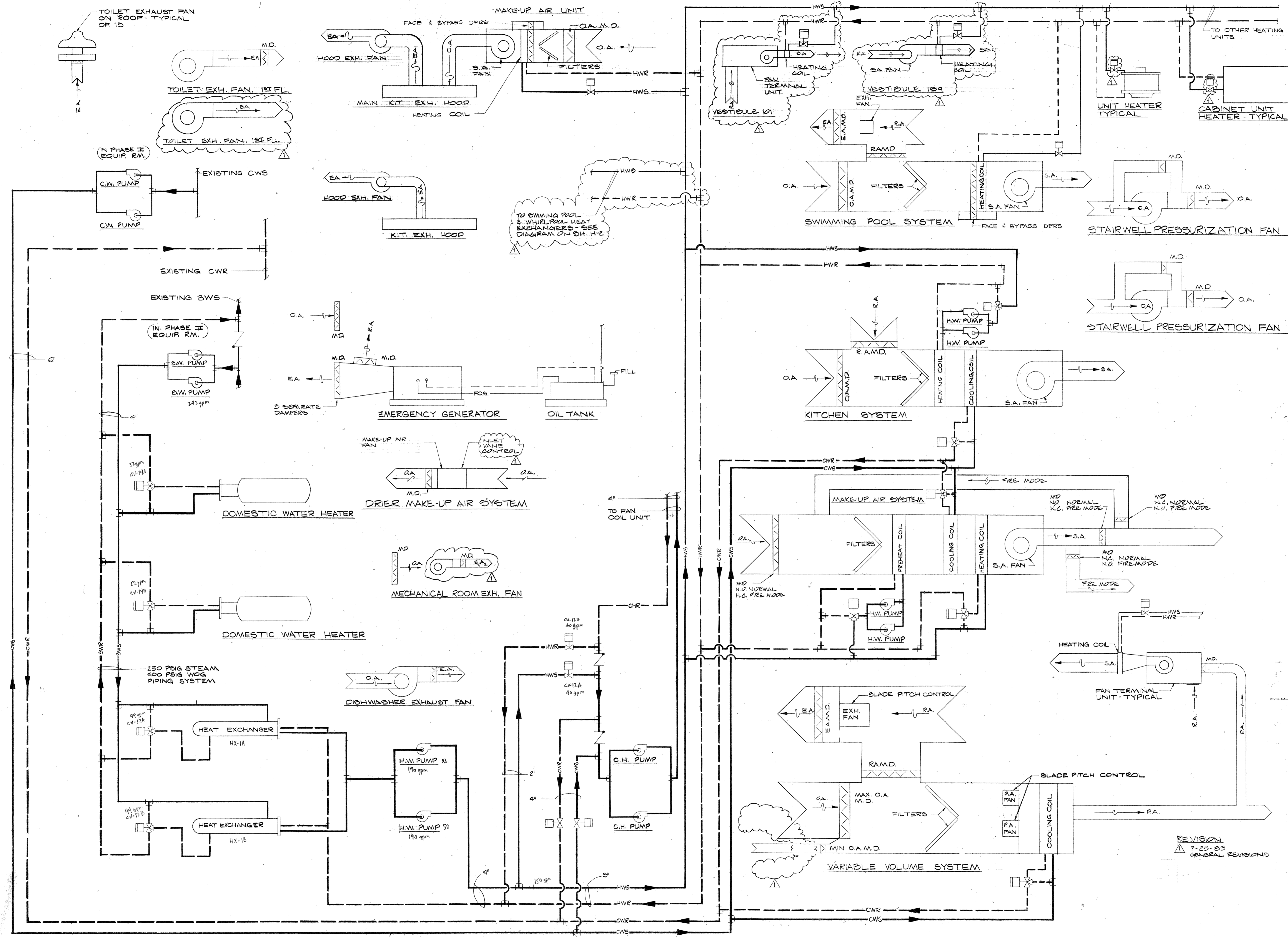
DRAWN CAATNE	PROJECT
CHECKED A.T.F.	DATE 6-10-83

HVAC
PARTIAL PLANS - EXISTING
TUNNEL & MECHANICAL
ROOM

DRAWING
H-13

REISSUED 10-4-83

RECEIVED OCT 7 1983



HEATING, VENTILATING AND AIR-CONDITIONING SYSTEM FLOW DIAGRAM
NO SCALE

Consulting Engineers
3257 Lochness Drive
Lexington, Kentucky

CARTER - FOSTER INC.

CAPITOL PLAZA HOTEL
FRANKFORT / KENTUCKY

STATE OF KENTUCKY REGISTERED PROFESSIONAL ENGINEER
TAGGART FOSTER 6520

STATE OF KENTUCKY REGISTERED PROFESSIONAL ARCHITECT
GUY CARTER 45711

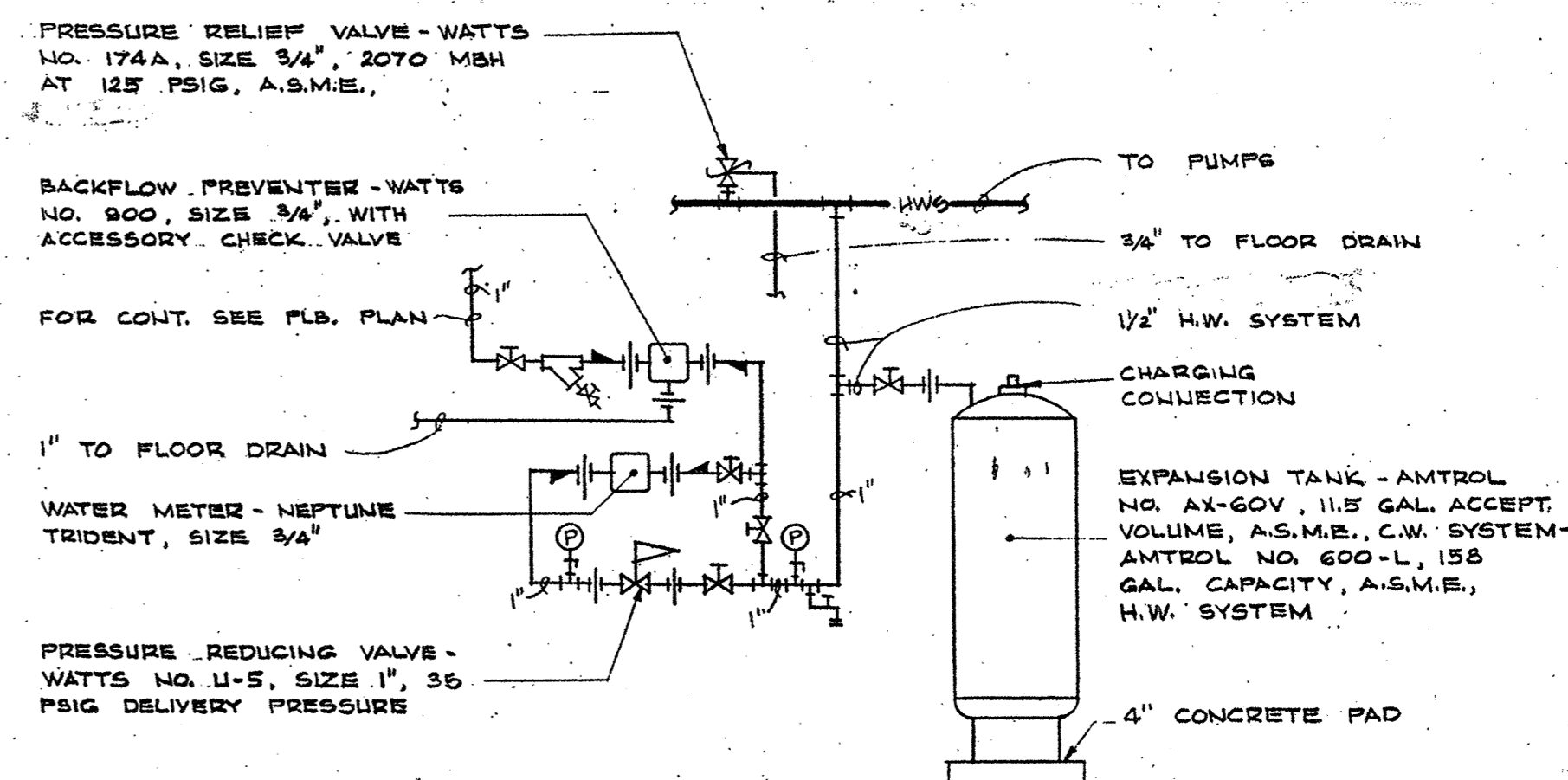
JR

JOHNSON / ROMANOWITZ ARCHITECTS / LEXINGTON / KENTUCKY
301 EAST VINE STREET, SUITE A
TELEPHONE (606) 252-6781

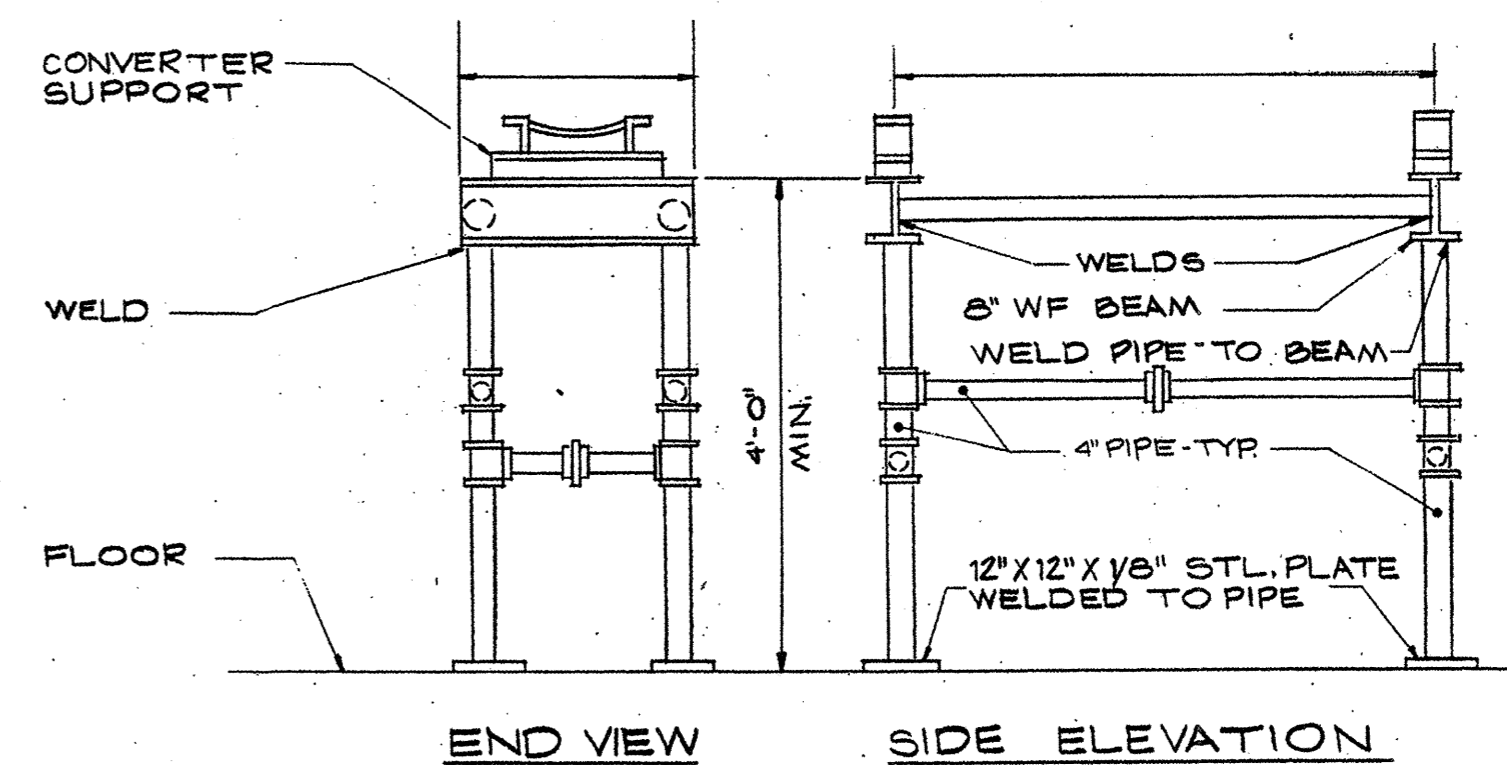
DRAWN M. K. P.	PROJECT
CHECKED A. T. P.	DATE 5-10-83
HVAC	
HEATING VENTILATING & AIR CONDITIONING SYSTEM FLOW DIAGRAM	
ISSUED 8-2-83	
DRAWING H-14	
Revised 7-5-83	

REVISION
7-25-83
GENERAL REVISIONS

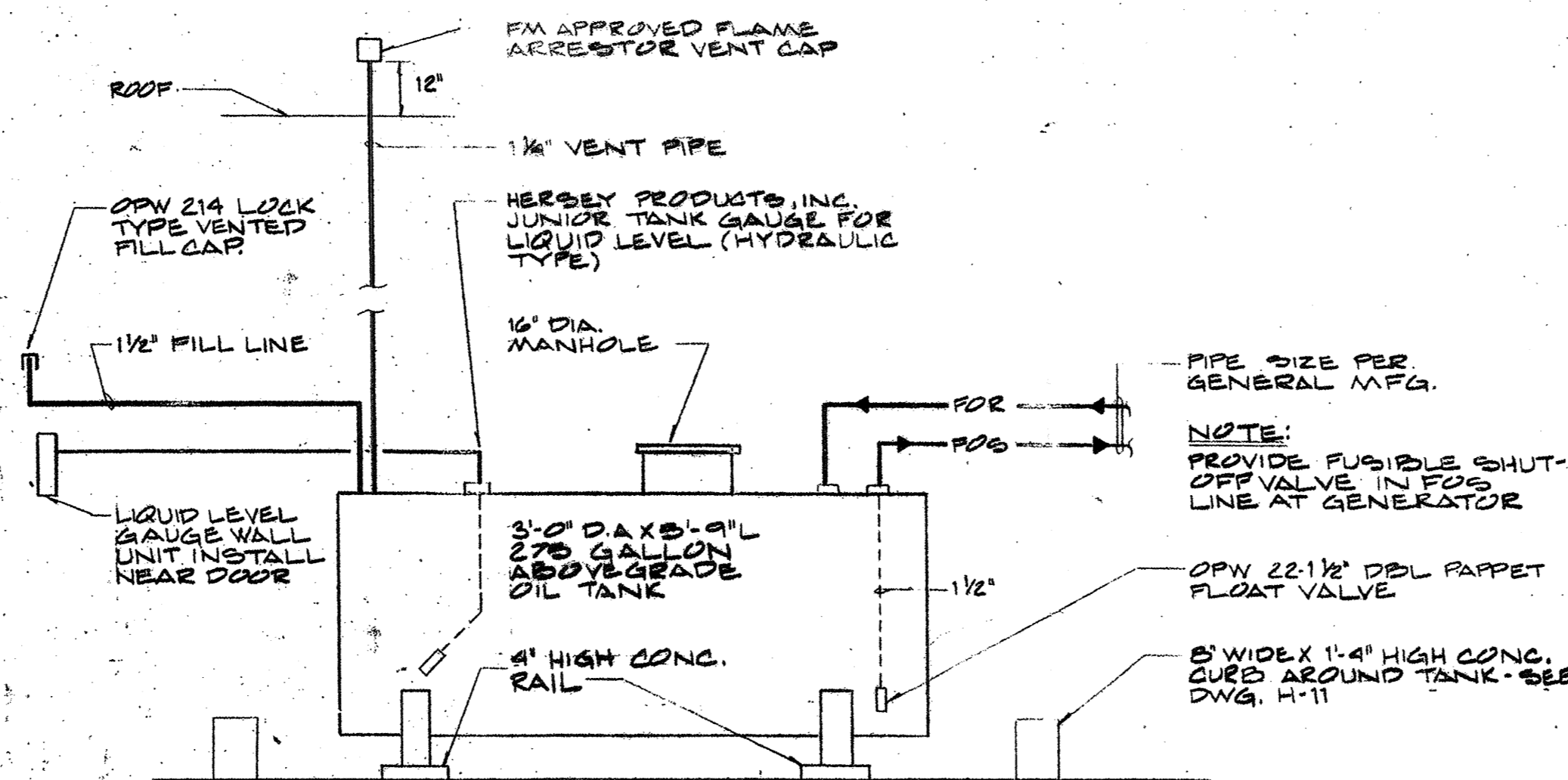
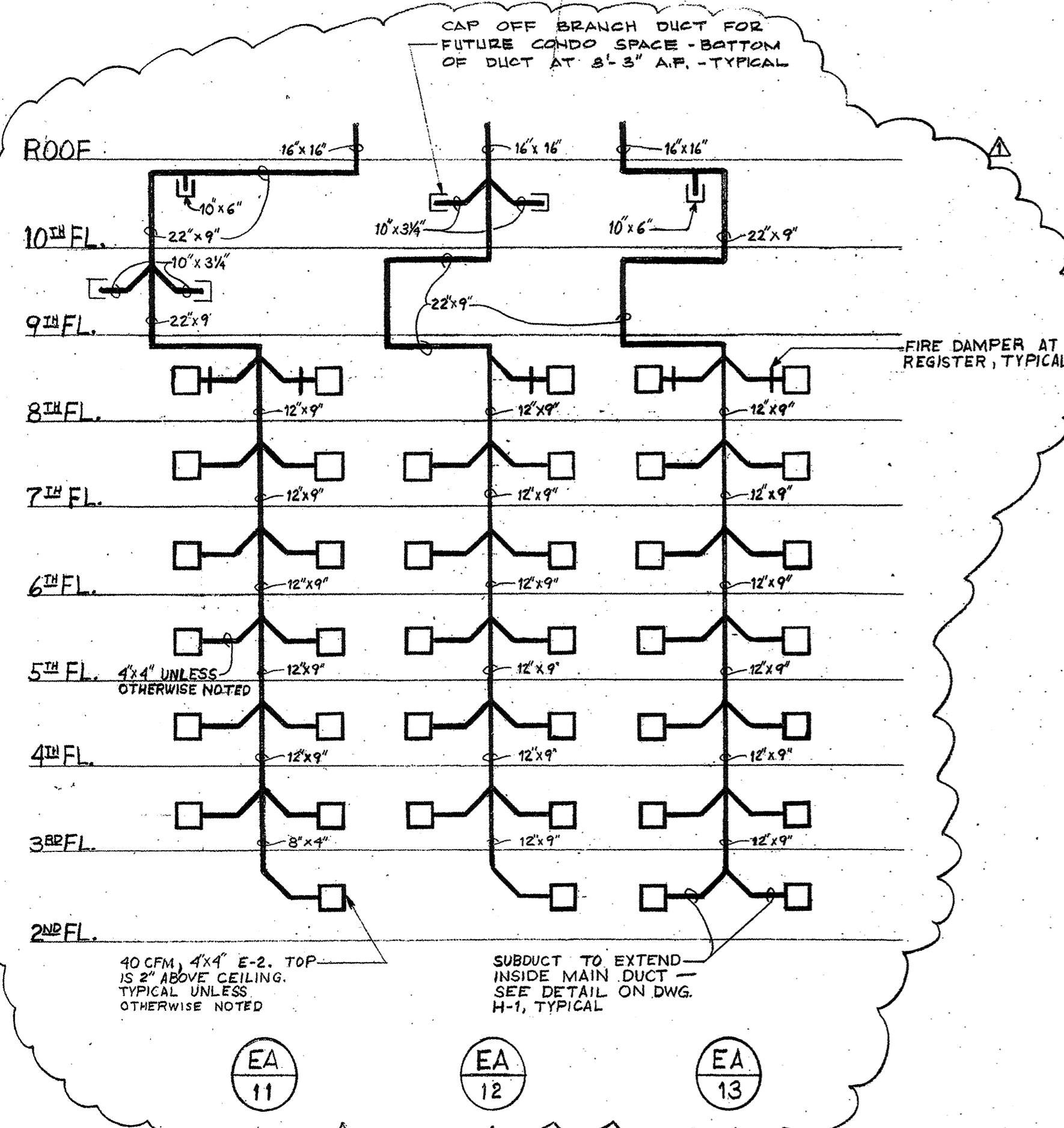
SCHEDULE OF ROOF AND DUCTS									
SYMBOL	MANUFACTURER	TYPE	PANEL SIZE	DIM. SIZE	INLET DIMENSIONS	COUNTING	FINISH	LOCATION	NOTES
S-1	TUTTLE & BAILEY	DAL-4	24' x 24'		AS NOTED ON PLANS				
S-2	TUTTLE & BAILEY	DAE	24' x 24'		AS NOTED ON PLANS				
S-3	TUTTLE & BAILEY	6000			LENGTH AS SHOWN ON PLANS				
S-4	TUTTLE & BAILEY	6000			LENGTH AS SHOWN ON PLANS				
S-5	TUTTLE & BAILEY	6000			LENGTH AS SHOWN ON PLANS				
S-6	TUTTLE & BAILEY	6000			LENGTH AS SHOWN ON PLANS				
S-7	TUTTLE & BAILEY	CRE 500	24' x 48'		AS NOTED ON PLANS				
S-8	TUTTLE & BAILEY	7557		32' x 18'	AS NOTED ON PLANS				
S-9	TUTTLE & BAILEY	VF-57			AS NOTED ON PLANS				
S-10	TUTTLE & BAILEY	6000			47' NOM. LENGTH				
S-11	TUTTLE & BAILEY	A30-1		48' x 18'	48' x 18'		PRIMED	CEILING	
S-12	TUTTLE & BAILEY	ME					PRIMED	CEILING	
S-13	TUTTLE & BAILEY	7000			47' NOM. LENGTH		PRIMED	LAY-IN	
S-14	TUTTLE & BAILEY	ME		12' x 9'	12' x 9'		PRIMED	CEILING	
S-15	TUTTLE & BAILEY	ME					PRIMED	CEILING	
S-16	TUTTLE & BAILEY	6000			120' NOM. LENGTH		ALUMINUM	CEILING	25 SLOTS, 3/4" SLOT TYPE B MARGIN PATTERNS CONTROLLER
S-17	TUTTLE & BAILEY	ME		21' x 21'	21' x 21'		PRIMED	CEILING	STYLE 3, 3-WAY THROW WITH OPP. BLADE V.D.
S-18	TUTTLE & BAILEY	VF-5		48' x 8'	48' x 8'		ALUMINUM	SIDEWALL	
R-1	TUTTLE & BAILEY	6000			AS NOTED ON PLANS		PRIMED	CEILING	40 SLOTS, 3/4" SLOT TYPE E MARGIN
R-2	TUTTLE & BAILEY	6000			AS NOTED ON PLANS		PRIMED	CEILING	6 SLOTS, 3/4" SLOT TYPE E MARGIN
R-3	TUTTLE & BAILEY	T-900V			AS NOTED ON PLANS		PRIMED	CEILING	
R-4	TUTTLE & BAILEY	6000			AS NOTED ON PLANS		PRIMED	CEILING	35 SLOTS, 3/4" SLOT TYPE E MARGIN
R-5	TUTTLE & BAILEY	VF			AS NOTED ON PLANS		ALUMINUM	WALL	
R-6	TUTTLE & BAILEY	CRE 500	24' x 24'		AS NOTED ON PLANS		ALUMINUM	LAY-IN	
R-7	TUTTLE & BAILEY	6000			72' NOM. LENGTH		ALUMINUM	WALL	25 SLOTS, 3/4" SLOT TYPE B MARGIN
R-8	TUTTLE & BAILEY	6000			36' NOM. LENGTH		ALUMINUM	WALL	25 SLOTS, 3/4" SLOT TYPE B MARGIN
R-9	TUTTLE & BAILEY	7000			120' NOM. LENGTH		ALUMINUM	WALL	2 SLOTS, 1" SLOTS TYPE B MARGIN
R-10	TUTTLE & BAILEY	T980	24' x 24'				PRIMED	LAY-IN	
R-11	TUTTLE & BAILEY	CR 1000U	48' x 24'		47 3/4" x 23 3/4"		PRIMED	LAY-IN	
R-12	TUTTLE & BAILEY	6000			120' NOM. LENGTH		ALUMINUM	CEILING	25 SLOTS, 3/4" SLOTS TYPE B MARGIN
E-1	TUTTLE & BAILEY	T 700					PRIMED	CEILING	WITH VOLUME DAMPER
E-2	TUTTLE & BAILEY	VF			AS NOTED ON PLANS		ALUMINUM	SIDEWALL	
O-1	TUTTLE & BAILEY	CRE 1008	96" x 8"	96" x 8"	96" x 8"		ALUMINUM	ROOF	



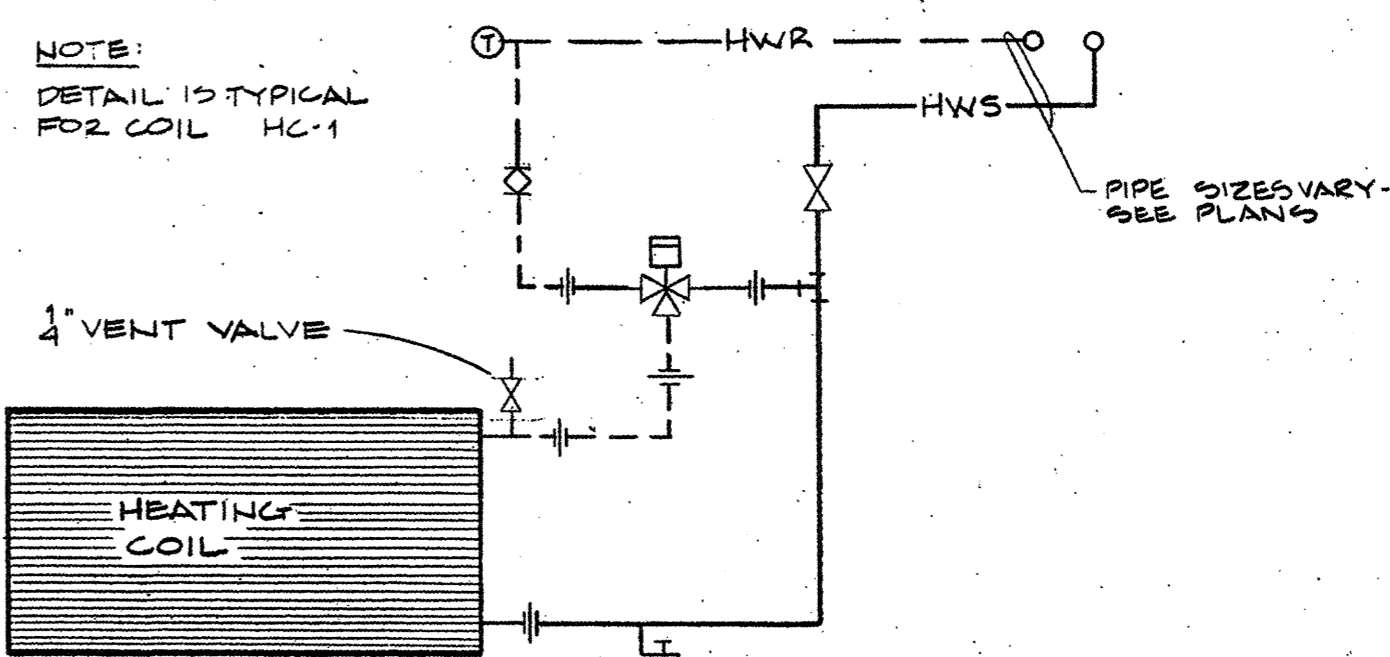
H.W. FILL SYSTEM PIPING DIAGRAM
NO SCALE



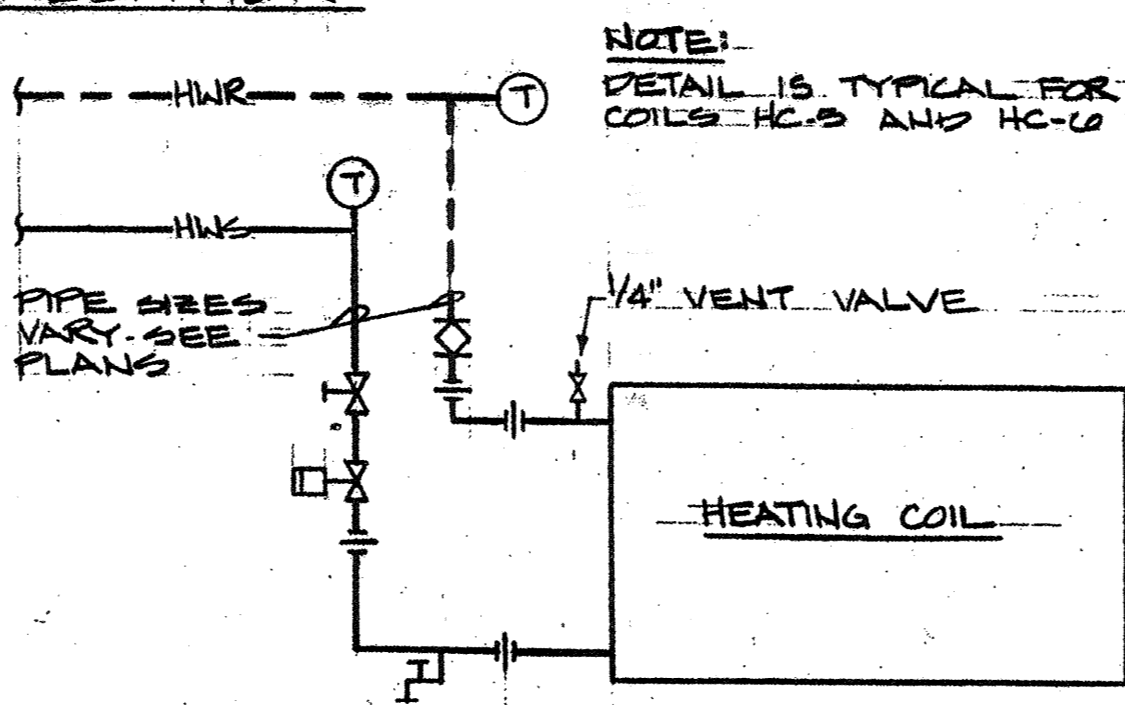
H.W. CONVERTER SUPPORT DETAIL
NO SCALE



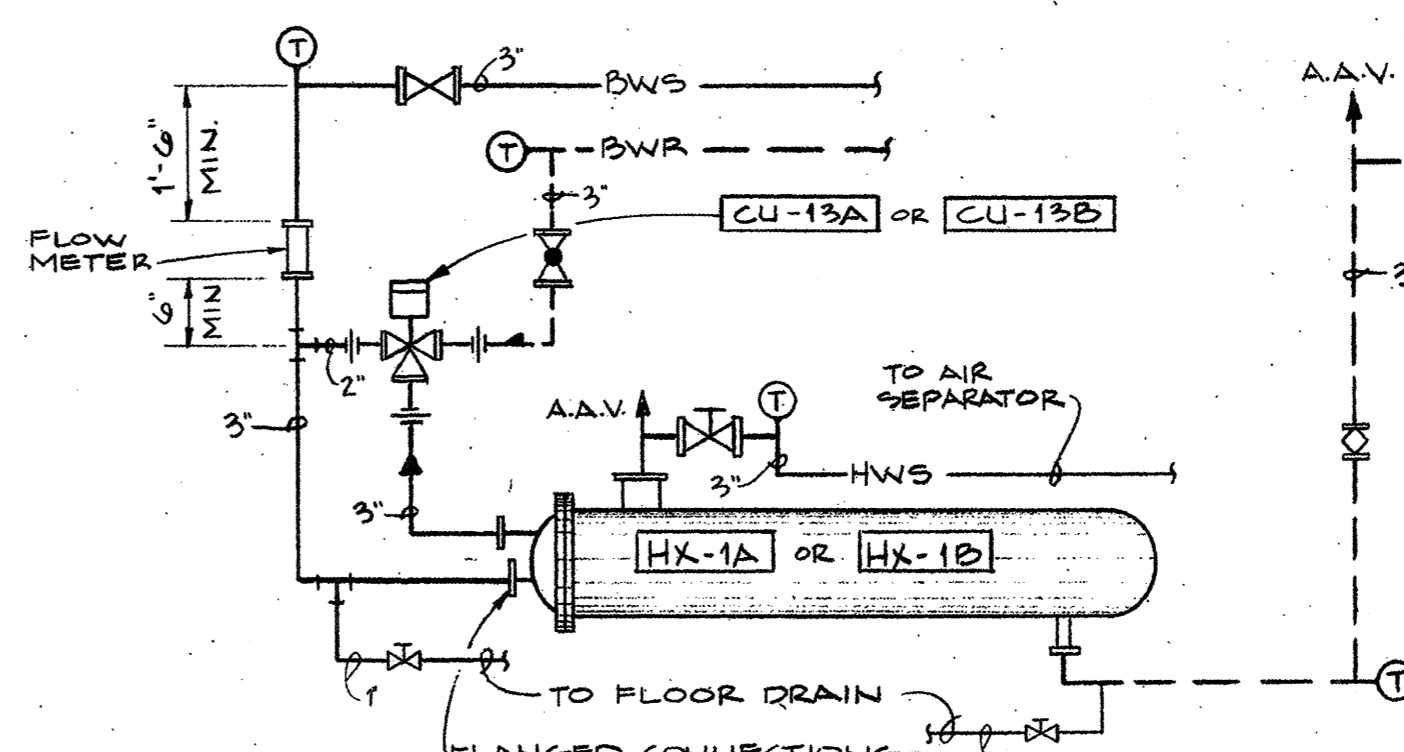
FUEL OIL TANK INSTALLATION
NO SCALE



HEATING COIL PIPING DIAGRAM
PACKAGED AIR HANDLING UNITS
NO SCALE



HEATING COIL PIPING DIAGRAM
PACKAGE AIR HANDLING UNIT
NO SCALE



PIPING DIAGRAM: HX-1
NO SCALE

Consulting Engineers
 3257 Lochness Drive
 Lexington, Kentucky
CARTER - FOSTER INC.
CAPITOL PLAZA HOTEL
FRANKFORT / KENTUCKY

JOHNSON / ROMANOWITZ / ARCHITECTS / LEXINGTON / KENTUCKY
 301 EAST VINE STREET, SUITE A
 TELEPHONE (606) 252-6781

DRAWN M. K. F.	PROJECT
CHECKED A. T. F.	DATE 5-10-83
HVAC	
HVAC SCHEDULES AND DETAILS	
REVISED 8-2-83	
DRAWING H-15	

ISSUED 7-20-83

SYMBOL	MANUF.	MODEL	SIZE	TYPE	ACCESSORIES	CFM	MIN. D.P. IN. CFM	W.G.	HP	RPM	PH	VOLTS	REMARKS		
AH-1	McQUAY	MGL	122	①	③ ④ ⑦ ⑧	12000	12000	4.00	1.25	325	11	1750	3	460	HOTEL MAKE-UP
AH-2	McQUAY	MGL	114	①	③ ④ ⑦ ⑧	7000	7000	3.75	1.25	325	11	1750	3	460	KITCHEN UNIT
AH-3	McQUAY	LSL	114	②	④ ⑦ ⑧	8500	8500	2.75	1.25	325	11	1750	3	460	HOOD MAKE-UP AIR
AH-4	McQUAY	LSL	111	②	④ ⑦ ⑧	7000	7000	2.50	1.25	325	11	1750	3	460	SWIMMING POOL UNIT

NOTES:
 ① MEDIUM PRESSURE HORIZONTAL DRAW THROUGH UNIT
 ② LOW PRESSURE HORIZONTAL DRAW THROUGH UNIT
 ③ FLAT FILTER SECTION
 ④ MEDIUM CAPACITY FILTER SECTION
 ⑤ COMBINATION FILTER-MIXING CHAMBER SECTION
 ⑥ BELT GUARD
 ⑦ INSULATORS SIZED FOR 1" DEFLECTION
 ⑧ PREHEAT COIL SECTION WITH PREHEAT COIL

SYMBOL	MANUF.	TYPE	SYSTEM	AH UNIT	ROWS	FR. I.	FACE AREA SQ. FT.	TOTAL CAP. MBH	SENS. CAP. MBH	CFM	FACE VEL. FPM	AIR FLOW IN. W.G.	ENT. AIR TEMP. °F	LVG. AIR TEMP. °F	WATER EWT. °F	LWT. CONTROL °F	VALVE NO.	REMARKS			
CC-1	McQUAY	4WH	AH-1	122	6	10	24.2	783.7	433.0	12000	496	0.73	91	76	58.0	57.7	115	13.2	43	CV-1	① "H" FINS
CC-2	McQUAY	BWL	AH-2	114	8	10	14.7	457.8	264.1	7000	476	0.86	87	72.3	52.3	58	12.6	43	CV-4	① "B" FINS	
CC-3	McQUAY	BWM	VV		8	10	67.5	2028.7	1249.6	34000	503	0.94	90	71	52.4	52.1	256	14.4	43	CV-7	② "B" FINS

NOTES:
 ① COIL IS IN STANDARD AIR HANDLING UNIT COIL SECTION.
 ② 1-36" W x 141" L COIL AND 1-33" W x 141" L COIL IN BUILT-UP PLENUM

SYMBOL	MANUFACTURER	TYPE	SYSTEM	ROWS	FR. I.	FACE AREA SQ. FT.	TOTAL CAP. MBH	CFM	FACE VEL. FPM	AIR FLOW IN. W.G.	ENT. AIR TEMP. °F	LVG. AIR TEMP. °F	WATER EWT. °F	LWT. CONTROL °F	VALVE NO.	DIMENSIONS WIDTH & HEIGHT	REMARKS			
HC-1	McQUAY	4WH	AH-1	2	6	24.2	407.2	2000	496	0.14	55	86.0	13	12	180	117.9	CV-2	29.5" x 39"	①	
HC-2	McQUAY	4WH	AH-1	2	10	24.2	813.3	12000	496	0.26	0	61.9	24	4.3	180	112.3	CV-3	29.5" x 39"	①	
HC-3	McQUAY	5WH	AH-2	2	12	14.7	550.5	7000	476	0.30	25	52.5	18	1.3	180	118.8	CV-3	70.5" x 30"	①	
HC-4	DELETED																			
HC-5	McQUAY	5WH	AH-3	2	12	13.6	436.0	8500	625	0.48	0	74.3	20	1.5	180	110.4	CV-6	65.5" x 30"	①	
HC-6	McQUAY	5WH	AH-4	2	14	10.3	535.3	7000	665	0.50	25	102.3	28	2.4	180	138.2	CV-10	50.5" x 30"	①	
HC-7	DELETED																			
HC-8	McQUAY	5500014	VV	1	6	0.5	4.85	180	360	0.04	65	89.6	1.0	1.7	180	1703	CV-15	12' x 6'	DUCT MOUNTED	
HC-9	McQUAY	5500014	VV	1	6	1.0	11.93	500	500	0.10	65	86.8	1.0	0.2	180	1561	CV-15	12' x 12'	DUCT MOUNTED	
HC-10	McQUAY	5500014	VV	1	6	1.87	230.8	980	522	0.11	65	86.5	1.5	0.6	180	149.2	CV-15	18' x 15'	DUCT MOUNTED	
HC-11	McQUAY	5500014	VV	1	6	2.5	29.39	1350	540	0.12	65	85.0	1.5	0.7	180	140.5	CV-15	24' x 15'	DUCT MOUNTED	
HC-12	McQUAY	5500014	VV	2	6	3.0	55.30	2120	706	0.27	65	88.9	2.0	1.3	180	139.7	CV-16	24' x 15'	DUCT MOUNTED	
HC-13	McQUAY	5500014	VV	2	6	5.25	124.0	3800	571	0.26	65	102.8	7.0	5.2	180	149.6	CV-16	42' x 15'	DUCT MOUNTED	
HC-14	McQUAY	5500014	VV	2	6	3.0	76.43	1750	583	0.32	65	104.9	3.5	1.1	180	1363	CV-16	24' x 15'	DUCT MOUNTED	

① COIL IS IN STANDARD AIR HANDLING UNIT COIL SECTION

SYMBOL	MANUF.	MODEL	SIZE	MAX. CFM	MIN. INLET SP. IN. W.G.	DISCH. SP. IN. W.G.	NC	DIMS. L x W x H	INLET DIA.	APPROX. OUTLET W.H.	R.A. W.H.	ELECTRICAL HP	REMARKS	
FT-1	TEMPMASTER	HFS	300	250	250	0.01	0.50	25	24 X 15 X 15	5	15 X 4	15 X 5	1/4	277
FT-2	TEMPMASTER	HFS	500	400	400	0.03	0.50	33	30 X 20 X 15	6	9 X 8	12 X 6	1/4	277
FT-3	TEMPMASTER	HFS	700	700	700	0.07	0.44	32	30 X 20 X 15	8	9 X 8	18 X 6	1/4	277
FT-4	TEMPMASTER	HFS	1000	1000	1000	0.10	0.20	31	36 X 24 X 18	10	9 X 10	22 X 8	1/3	277
FT-5	TEMPMASTER	HFS	1500	1500	1500	0.16	0.50	33	36 X 32 X 18	12	12 X 10	28 X 8	1/2	277
FT-6	TEMPMASTER	HFS	2000	2000	2000	0.20	0.80	33	36 X 42 X 18	14	9 X 10	10 X 16	1/3	277
FT-7	TEMPMASTER	HFS	2700	2700	2700	0.25	0.70	34	36 X 48 X 18	16	12 X 10	10 X 16	1/2	277

NOTE: INLET CONNECTIONS FOR FT-2, FT-3, FT-4 & FT-5 ARE OVAL CONNECTIONS. SIZES IN SCHEDULE ARE EQUIVALENT ROUND SIZES

SYMBOL	MANUF.	MODEL	TYPE	SIZE	CFM	SP. TP IN. W.G.	FAN RPM	BHP	MOTOR HP	RPM	PH	VOLTS	FAN TYPE	WHEEL DIAM.	REMARKS
SF-1	FLAKT	FVAC	②	080-6-B	17,000	6.5 TP	1760	24.00	20	1760	3	460	V	31.5"	1ST FL. VV SYSTEM-TYP FOR SF-1A & B
SF-2	TWIN CITY	ASL	③	222	6,000	0.75 SP	1214	1.80	2	885	3	460	B.I.	22.25"	LAUNDRY MAKE-UP AIR
SF-3	DELETED														
SF-4	TWIN CITY	ASL	⑦	200	4,500	1.0 SP	1322	1.42	1.5	1750	3	460	B.I.		STAIR PRESS. PAN. - TYP FOR SF-4A & B
RF-1	PENN	ZEPHYR	⑧	2-12	712	0.38 SP	1050		280W	1050	1	115	F.L.	44"	2-BAY SUITE RA - TYP FOR RF-1A, B & C
EF-1	FLAKT	FVAC	②	125-B-4	34,000	0.80 TP	885	3.50	7.5	885	3	460	V	15"	1ST FL. VV SYSTEM
EF-2	TWIN CITY	BCV	①	150	2,000	2.75 SP	1892	1.36	1.5	1750	3	460	B.I.	36.50"	LITTLE KITCHEN HOOD
EF-3	TWIN CITY	BCV	①	365	15,000	3.0 SP	805	9.77	10.0	1750	3	460	B.I.	20"	MAIN KITCHEN HOOD
EF-4	PENN	REX	⑥	20B	1,800	1.0 SP	1000	0.68	0.75	1750	3	460	B.I.	22.05"	DISHWASHER EF
EF-5	TWIN CITY	BCV	⑩	132	2,800	0.5 SP	1189	0.80	1	1750	3	460	B.I.	18.25"	MECH. ROOM EF
EF-6	TWIN CITY	BCV	⑩	165	2,000	1.0 SP	1204	0.59	0.75	1750	3	460	B.I.	16.5"	1ST FL. TOILET EXH.
EF-7	PENN	DOMEX	⑤	BB-45	800	.90	1240	.57	.5	1750	1	277	CENT.		PRV
EF-8	PENN	DOMEX	⑤	BB-45	520	.90	1240	.33	.5	1750	1	277	CENT.		PRV
EF-9	FLAKT	FTFA	⑪	080-3-2	14,000	1.40	1180	4.00	5	1180	3	460	V	30"	SWIMMING POOL EF
EF-10	PENN	P	⑨	FIBIT	158	0.37	1140		1/4	1140	1	115	F	18"	ELEV. PENTHOUSE EF

NOTES:
 ① BELT DRIVEN VENT SET, S.W.S.I., ARRANGEMENT 10, TOP HORIZONTAL DISCHARGE, VARIABLE PITCH DRIVE, 1" DEFLECTION SPRING ISOLATORS.
 ② DIRECT DRIVE VANEAXIAL, ARRANGEMENT 4, TYPE 2 FVAC, FLOOR MOUNTED, WITH VARIABLE PITCH CONTROL, 1" DEFLECTION SPRING ISOLATORS.
 ③ BELT DRIVEN IN-LINE CENTRIFUGAL ARRANGED FOR VERTICAL MOUNTING, WITH INLET VANE CONTROL, INLET SCREEN, INLET BELL, 1" DEFLECTION SPRING ISOLATORS & BELT GUARD
 ④ FURNISH INLET SCREEN
 ⑤ BELT DRIVE CENTRIFUGAL POWER ROOF VENTILATOR WITH SOUND ATTENUATING CURB, GRAVITY DAMPER, VARIABLE PITCH DRIVE
 ⑥ BELT DRIVE IN LINE CENTRIFUGAL, ALL ALUMINUM WITH ACCESS PANEL, 1" DEFLECTION SPRING ISOLATORS AND ARRANGED FOR VERTICAL MOUNTING.
 ⑦ BELT DRIVEN IN LINE CENTRIFUGAL WITH VARIABLE PITCH DRIVE, BELT GUARD, 1" DEFLECTION SPRING ISOLATORS, HORIZONTAL OVERHEAD MOUNTING.
 ⑧ DIRECT DRIVE CENTRIFUGAL CABINET FAN WITH ACOUSTICALLY LINED CABINET WITH LT SERIES VARIABLE SPEED CONTROLLER MOUNTED AT CABINET.
 ⑨ DIRECT DRIVE PROPELLER FAN WITH INLET GUARD
 ⑩ BELT DRIVEN VENT SET, S.W.S.I., ARRANGEMENT 10, UPBLAST DISCHARGE, VARIABLE PITCH DRIVE, 1" DEFLECTION SPRING ISOLATORS.
 ⑪ BELT DRIVEN VANEAXIAL WITH VARIABLE PITCH DRIVE, ARRANGED FOR HORIZONTAL OVERHEAD MOUNTING, WITH 1" DEFLECTION SPRING ISOLATORS, BELT GUARD & 2-SPEED & WINDING 1750/875 RPM MOTOR

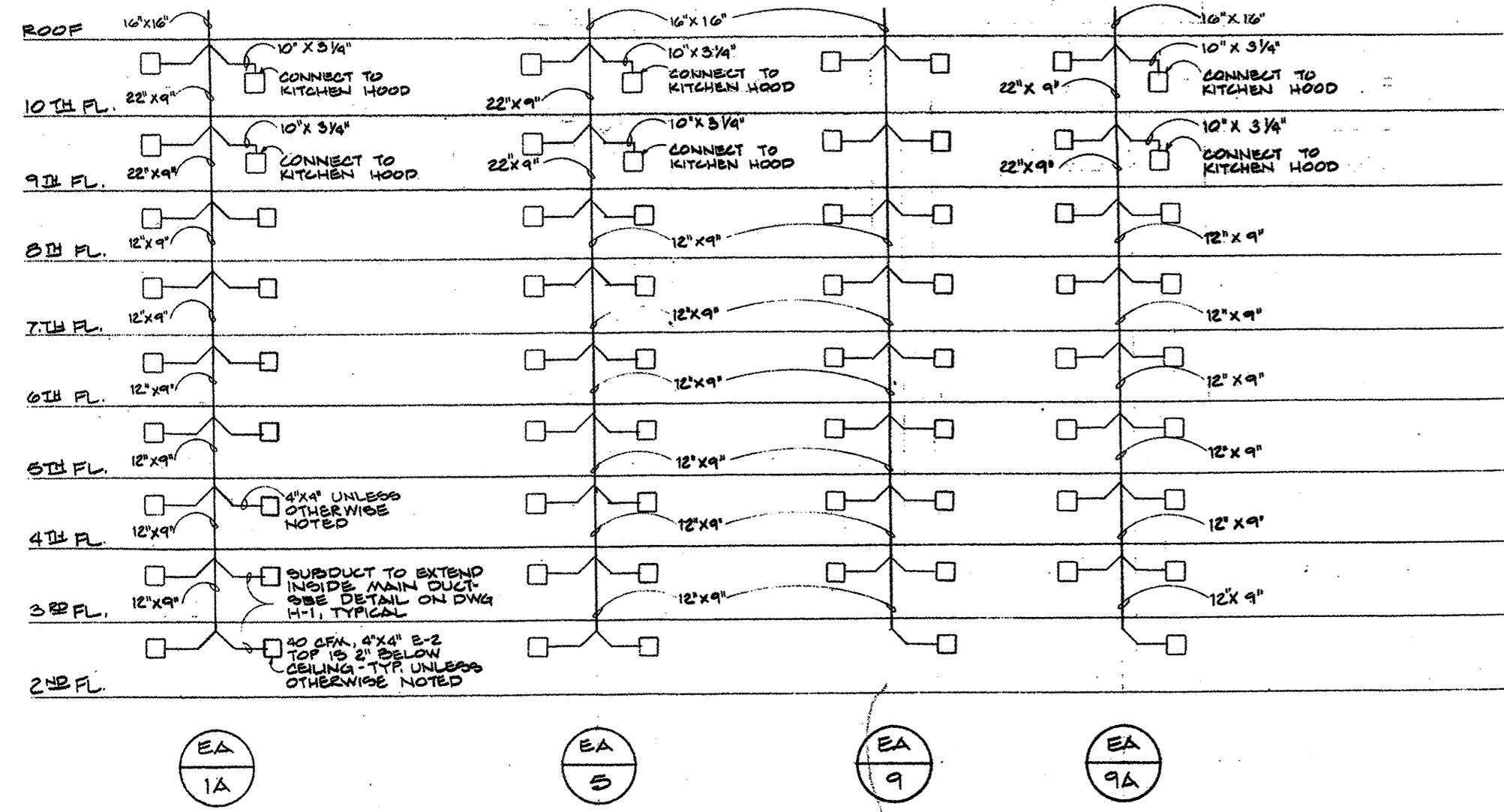
CONTROL VALVES

SYMBOL	MANUF.	MODEL	SERVICE	TYPE	SIZE	Cv	GPM	PD FT.	REMARKS
CV-1	BARBER-COLMAN	VB-9313	C.W.	①	2"	55	115	10.0	COIL CC-1
CV-2	BARBER-COLMAN	VB-9313	H.W.	①	1"	12	13	2.7	COIL HC-1
CV-3	BARBER-COLMAN	VB-9313	H.W.	①	1/4"	16	18	2.3	COIL HC-3
CV-4	BARBER-COLMAN	VB-9313	C.W.	①	1/2"	25	28	7.0	COIL CC-2
CV-5	DELETED								
CV-6	BARBER-COLMAN	VB-9253	H.W.	④	1/2"	25	20	1.5	COIL HC-5, 2-POSITION
CV-7	BARBER-COLMAN	VB-9253	C.W.	②	3"	101	256	16.0	COIL CC-3
CV-8	BARBER-COLMAN	VB-9313	H.W.	①	1/2"	25	24	1.2	COIL HC-2
CV-9	DELETED								
CV-10	BARBER-COLMAN	VB-9253	H.W.	④	1/2"	25	28	2.9	COIL HC-6, 2-POSITION
CV-11	BARBER-COLMAN	VB-202	C.W.	③	4"	143	180	3.6	C.W. CO VALVES - FC. SYST. TYP FOR CV-11A & CV-11B
CV-12	BARBER-COLMAN	VB-9253	H.W.	④	2"	55	40	1.2	H.W. CO VALVES - FC. SYST. TYP FOR CV-12A & CV-12B
CV-13	BARBER-COLMAN	VB-9313	H.W.	⑥	2"	55	94	6.6	HX-1; TYP FOR CV-13A & CV-13B
CV-14	BARBER-COLMAN	VB-9313	H.W.	⑥	1/2"	25	28	5.8	H.W. CO VALVES - FC. SYST. TYP FOR CV-14A & CV-14B
CV-15	BARBER-COLMAN	VB-9253	H.W.	④	1/2"	13	1.5	3.0	DUCT COILS
CV-16	BARBER-COLMAN	VB-9253	H.W.	④	1/2"	22	3.5	6.0	DUCT COILS
CV-17	BARBER-COLMAN	VB-9253	H.W.	④	3/4"	6.2	7.0	3.0	DUCT COILS

NOTES:
 ① 3-WAY GLOBE TYPE - THREADED ENDS
 ② 3-WAY GLOBE TYPE - FLANGED ENDS
 ③ 2-WAY GLOBE TYPE - FLANGED ENDS
 ④ 2-WAY GLOBE TYPE - THREADED ENDS
 ⑤ 3-WAY GLOBE TYPE - FLANGED ENDS - SUITABLE FOR 250 PSIG & 270°F HOT WATER

PUMPS

SYMBOL	MANUF.	SIZE	SERIES	GPM	HEAD FT.	BHP	MOTOR HP/RPM	PH	VOLTS	SHUT-OFF HEAD - FT.	END OF CURVE FLOW - GPM	REMARKS	
PU-1	BEG	1 1/2 AA	60	24	17	1/4	1750	1	115	21	45	FOR COIL HC-2; TYP FOR PU-1A & PU-1B	
PU-2	DELETED												
PU-3	BEG	PR 1/4	800578	8	16.5	1/8	1750	1	115	17	29	FOR COIL HC-3; TYP FOR PU-3A & PU-3B	
PU-4	DELETED												
PU-5	PERLESS	620	C	190	70	4.2	3500	3	460	85	260	H.W. PUMPS; TYP FOR PU-5A & PU-5B	
PU-6	PERLESS	825	C	150	50	3.1	3500	3	460	58	285	C.W. PUMPS; TYP FOR PU-6A & PU-6B	
PU-7	PERLESS	1240	C	610	90	18	20	1750	3	460	108	350	C.W. PUMPS; TYP FOR PU-7A & PU-7B
PU-8	PERLESS	1310	CLE	291	95	9	10	1750	3	460	110	440	H.W. PUMPS; TYP FOR PU-8A & PU-8B</



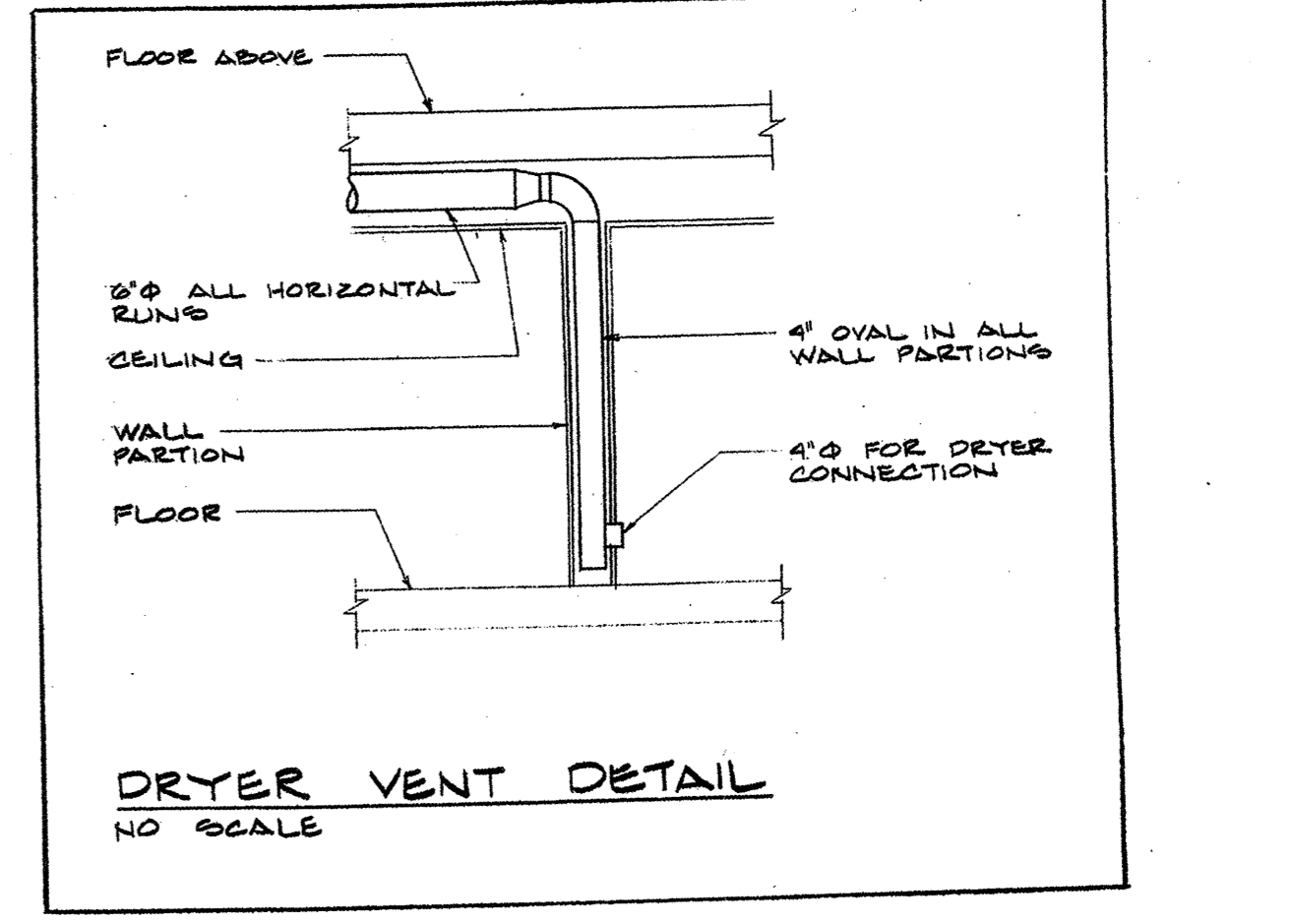
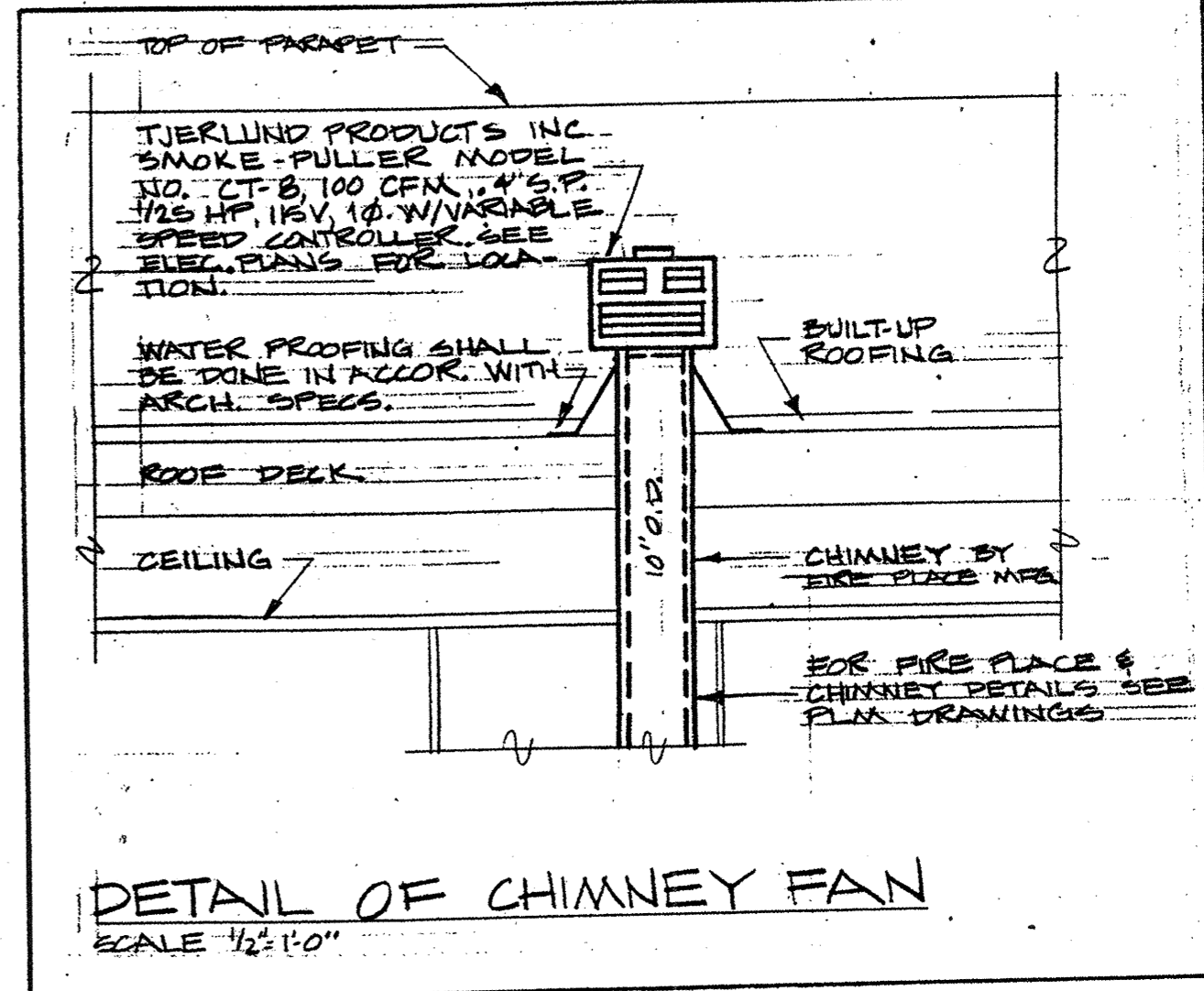
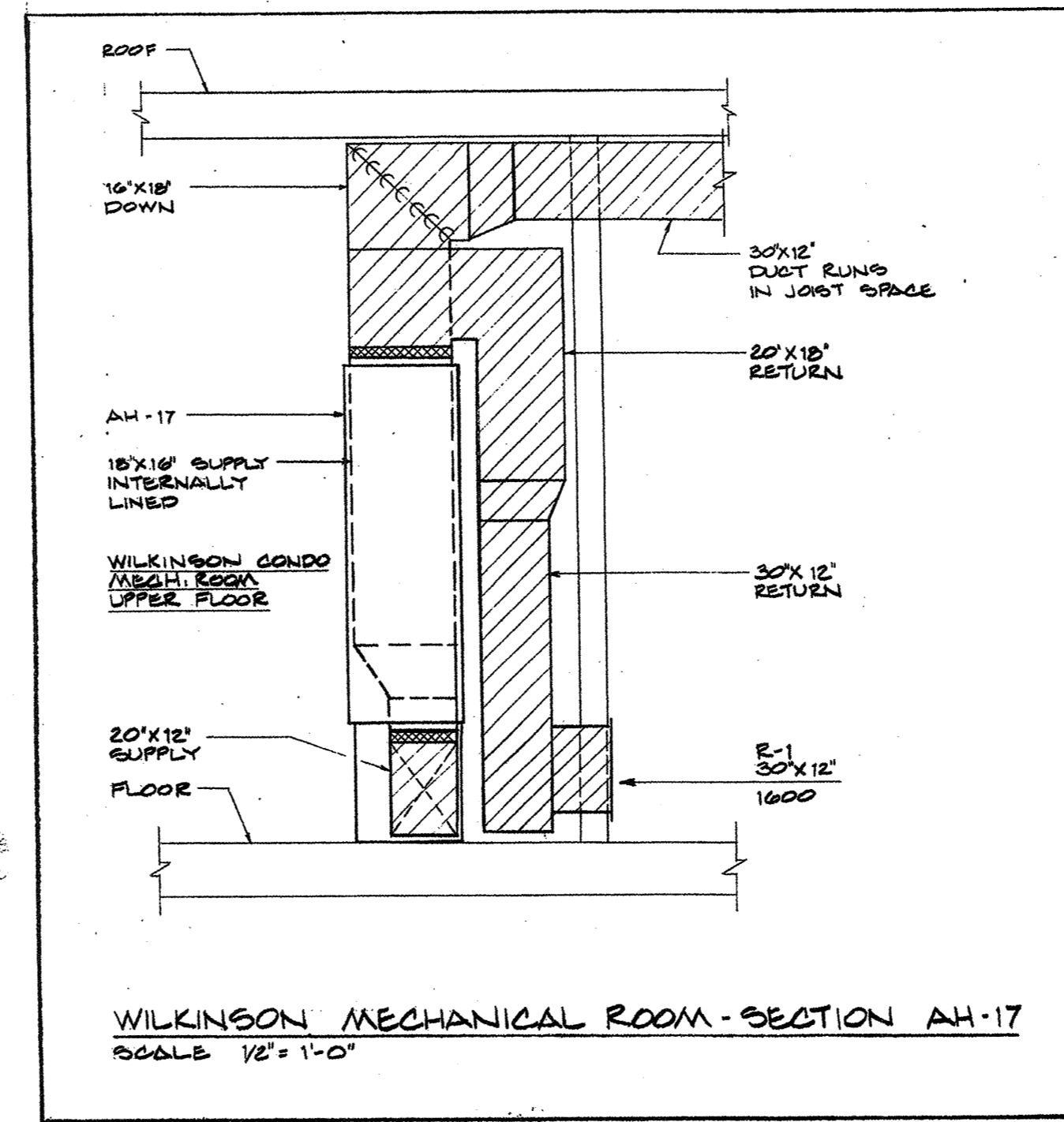
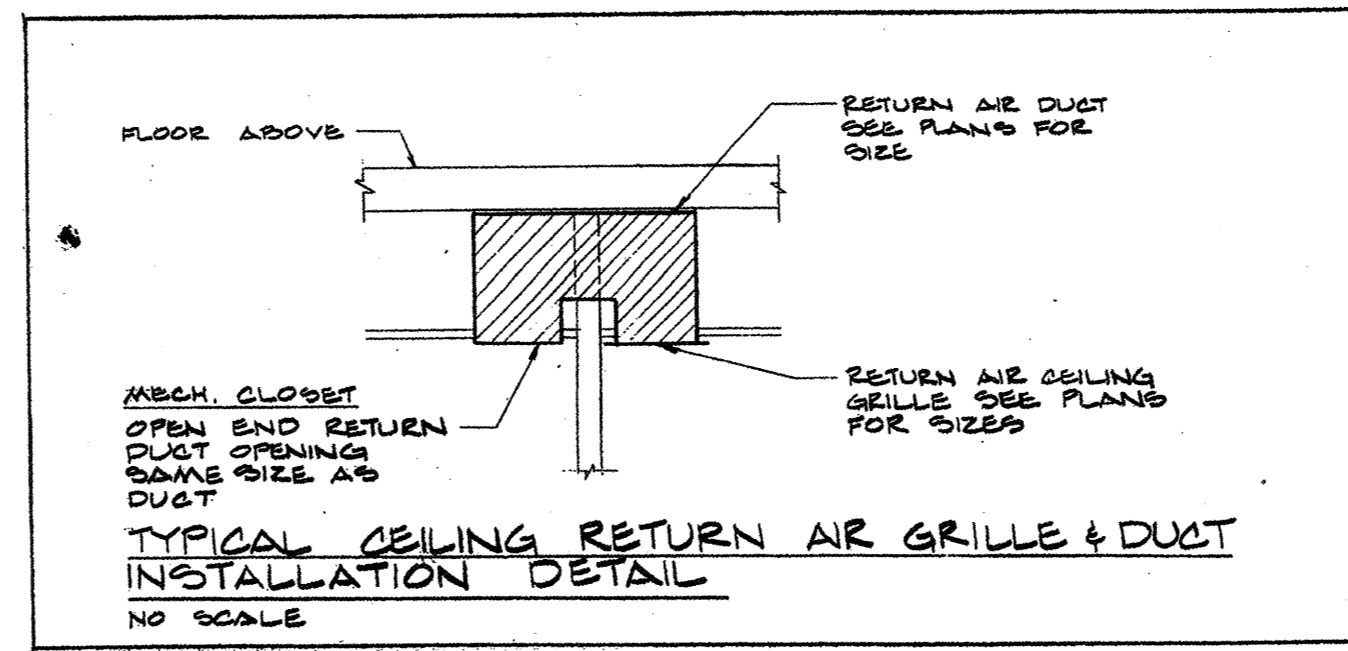
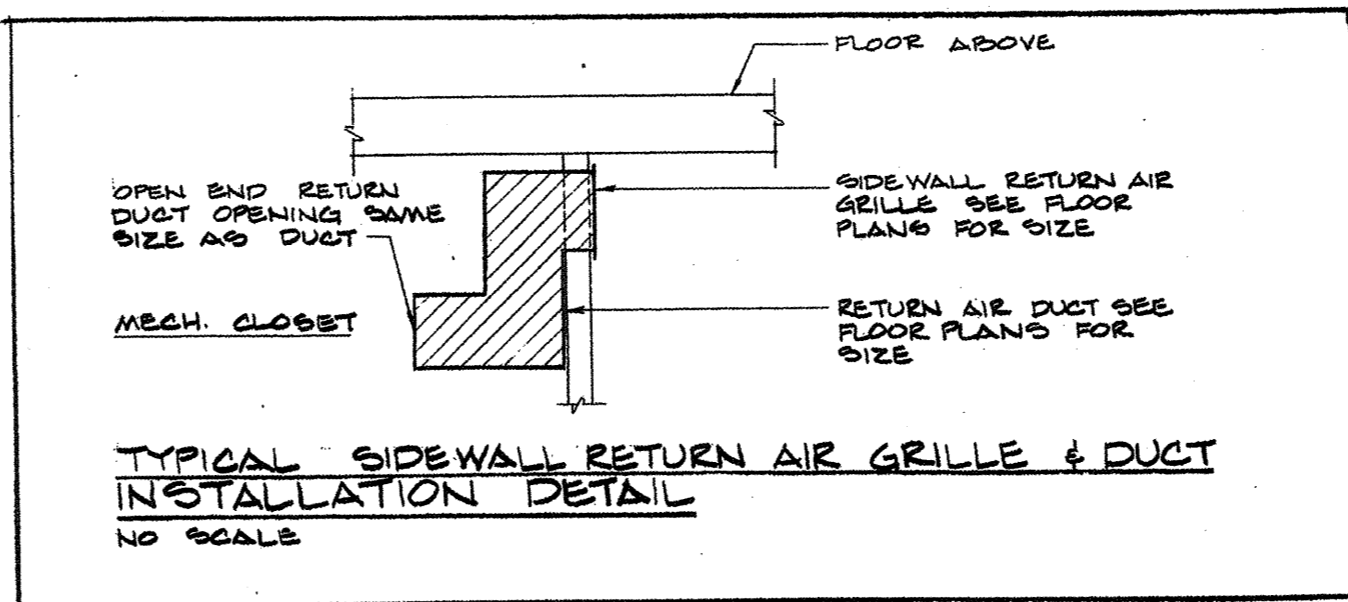
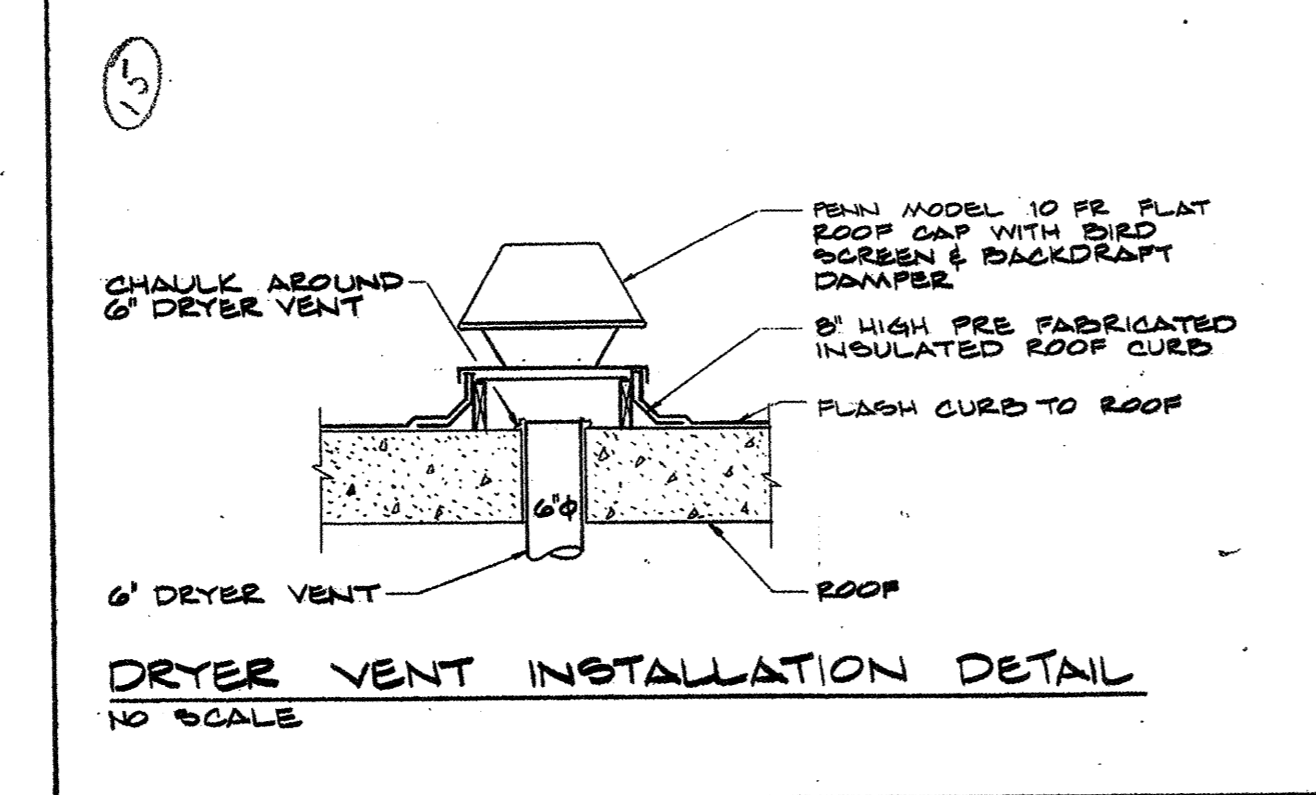
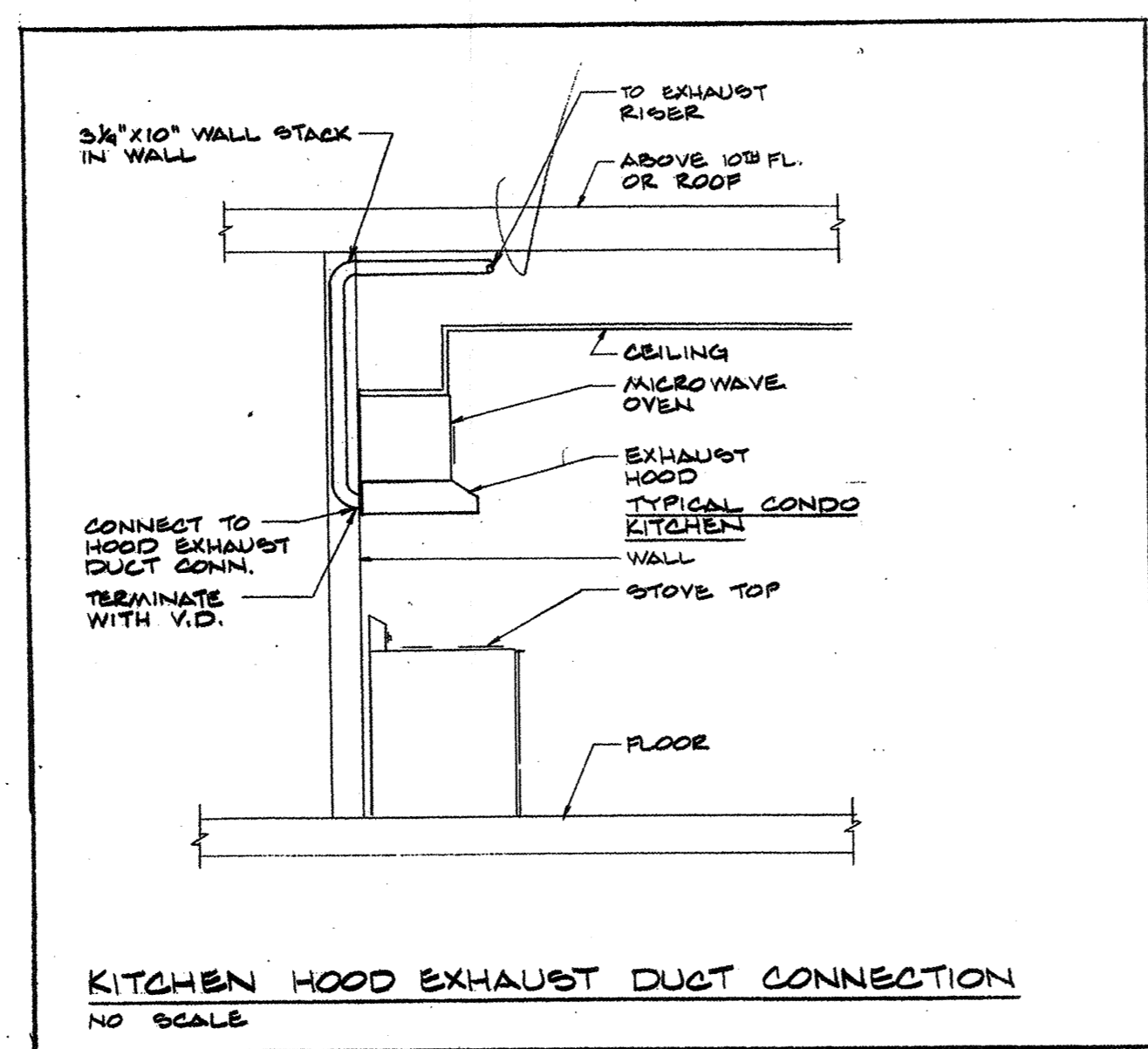
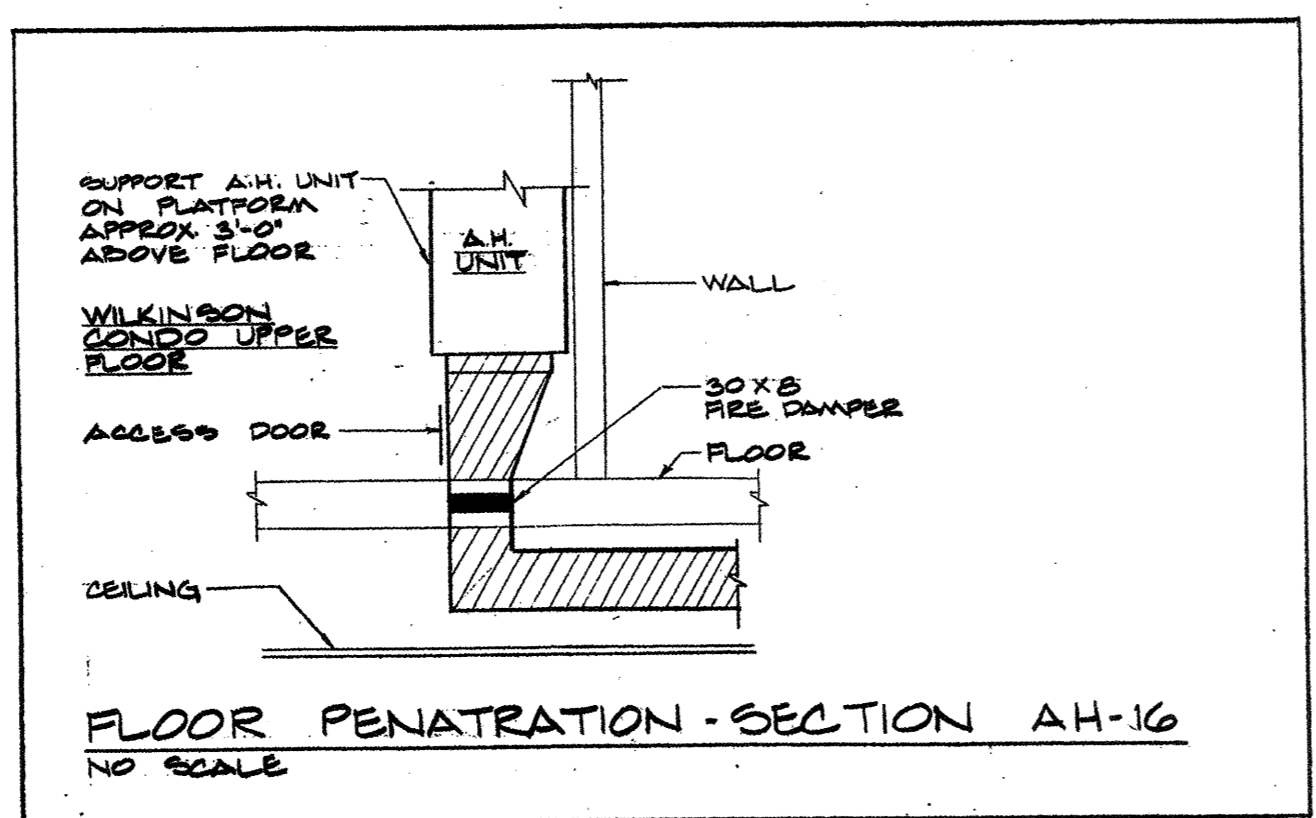
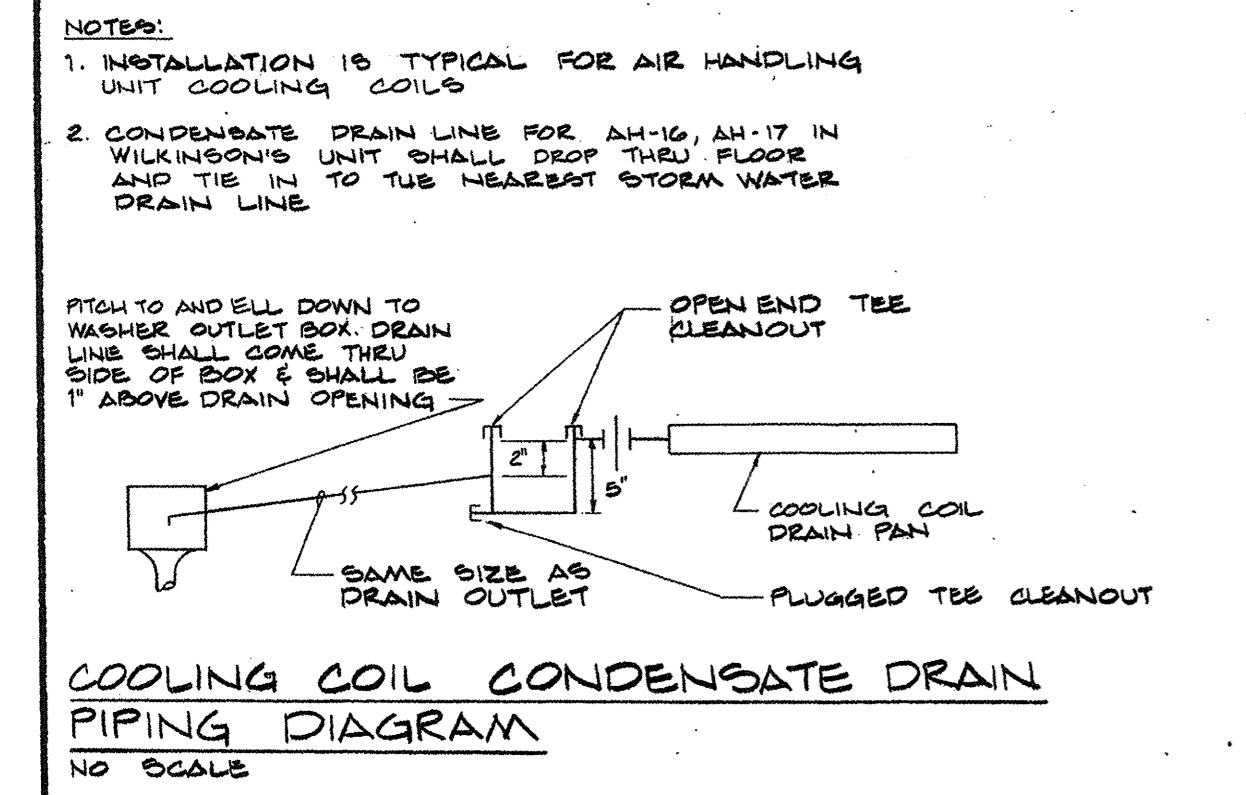
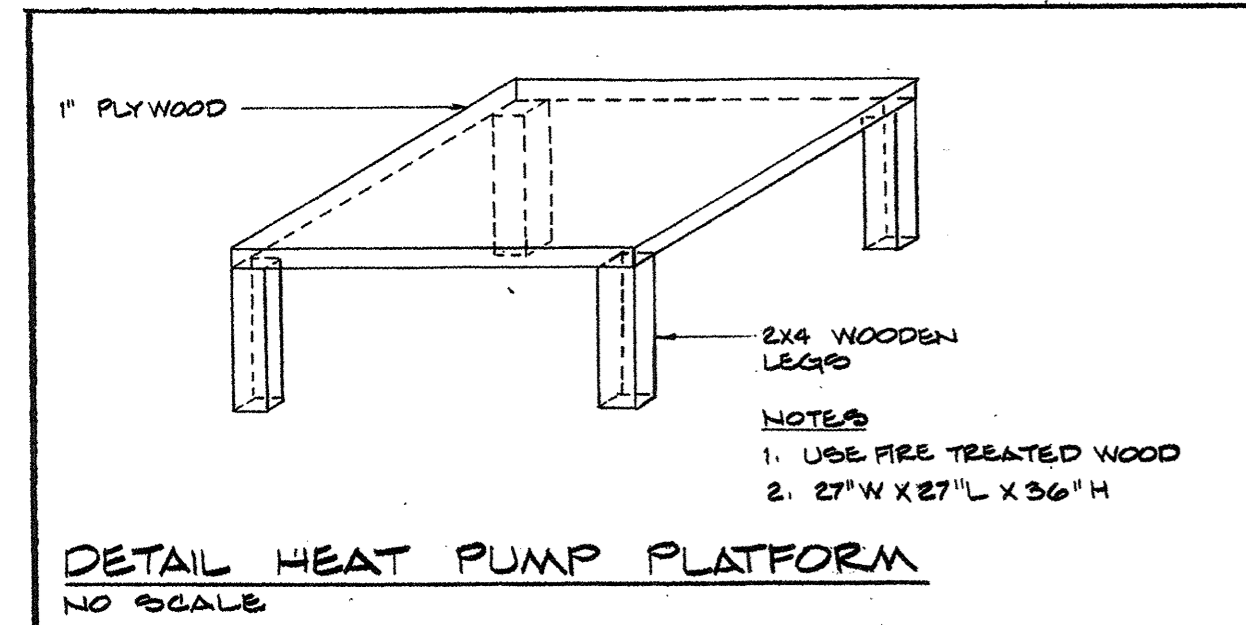
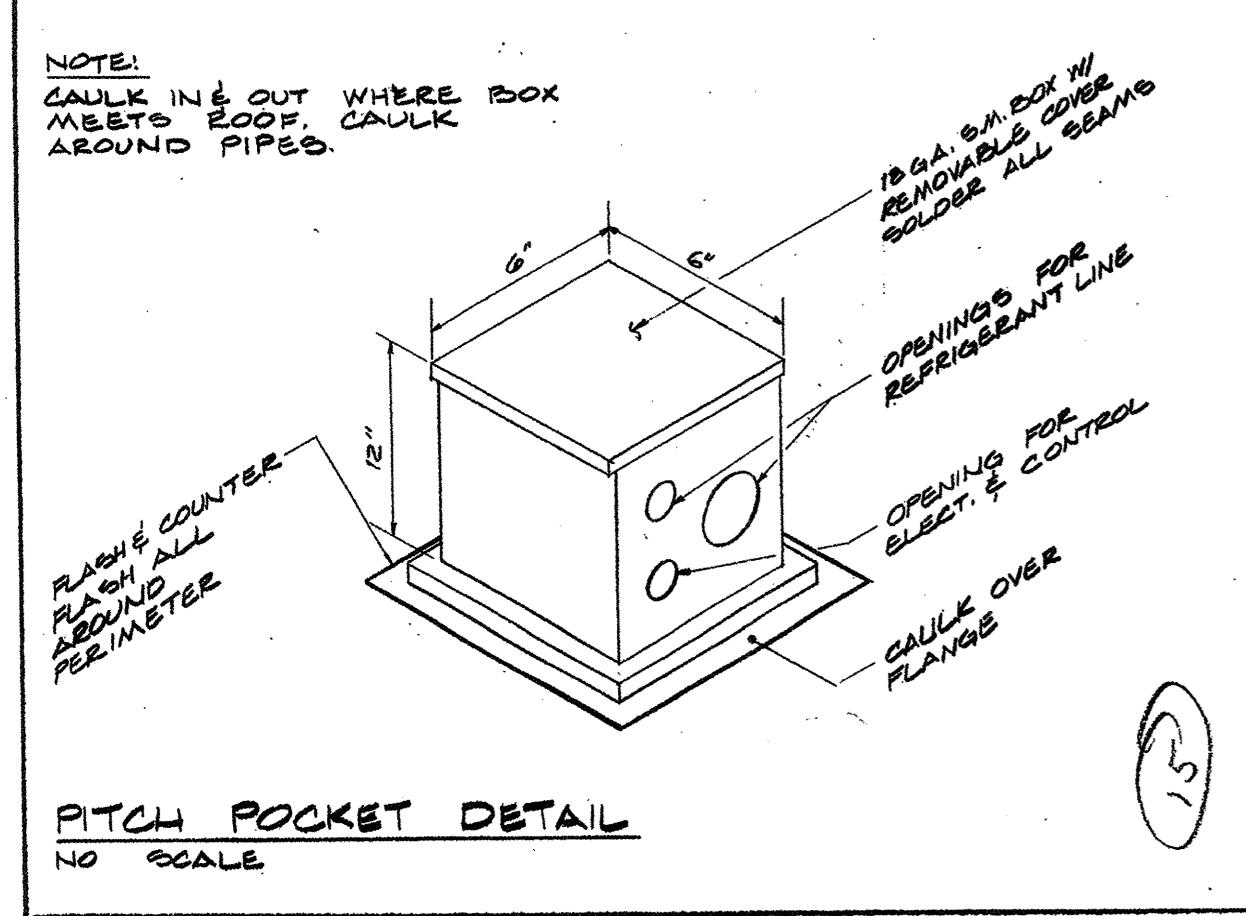
GRILLES AND DIFFUSERS						
SYMBOL	MANUFACTURER	TYPE	SIZE	FINISH	MOUNTING	REMARKS
(S-1)	TUTTLE & BAILEY	VF57	Ø	WHITE	SIDEWALL	WITH EXTRACTOR & OPP. BLADE VOLUME DAMPER
(S-2)	"	DAE	12 X 12		CEILING	FLUSH FACE WITH OPP. BLADE VOLUME DAMPER
(S-3)	"	DAE	24 X 24		CEILING	
(S-4)	"	6000	Ø		CEILING	3/4" SLOT WIDTH, TYPE E MARGIN PATTERN CONTROLLER, VOL. DPR.
(R-1)	"	VF	Ø		WALL OR CLG.	
(T-1)	"	VF	Ø		WALL OR CLG.	

NOTE: 1. FOR GRILLE & DIFFUSER SIZES - SEE 9TH, 10TH FLOOR PLANS, SHEET H-9 AND H-10

HVAC RISER DIAGRAM
NO SCALE

HVAC LEGEND	
R	REFRIGERANT PIPING
DV	DRYER VENT
AH-B	AIR HANDLER - NO INDICATES CONDO
HP-B	HEAT PUMP - NO INDICATES CONDO
DV-B	DRYER VENT - NO INDICATES CONDO

NOTE: FOR ADDITIONAL SYMBOLS REFER TO HVAC LEGEND SHEET H-1.



Consulting Engineers
3257 Lochness Drive
Lexington, Kentucky

CARTER - FOSTER INC.

CAPITOL PLAZA HOTEL
FRANKFORT / KENTUCKY

STATE OF KENTUCKY
TAGGART
FOSTER
6520
PROFESSIONAL

STATE OF KENTUCKY
D. GUY
CARTER
4571
PROFESSIONAL

JOHNSON / ROMANOWITZ / ARCHITECTS / LEXINGTON / KENTUCKY
301 EAST VINE STREET, SUITE A
LEXINGTON, KY 40502
TELEPHONE (606) 252-6781

DRAWN	PROJECT
MAK & DGM.	
CHECKED	DATE
T.F.	1-3-84
HVAC	
DRAWING	
H-17	